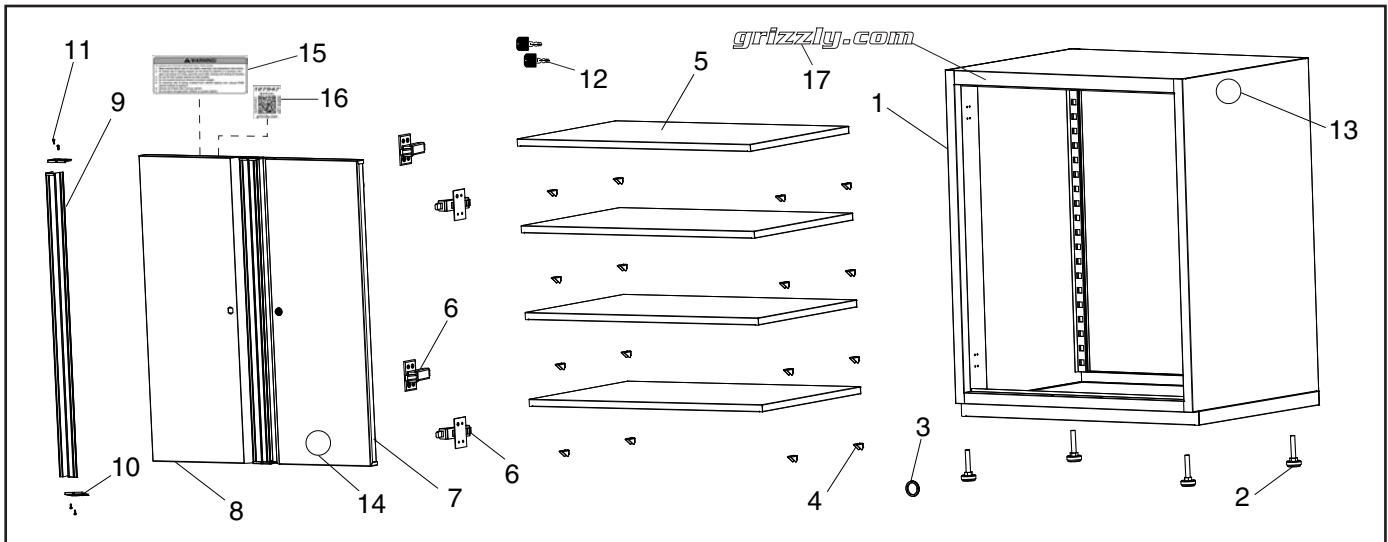


# Grizzly Cabinet Series

The T27948 2-Door Tool Cabinet is part of our heavy-duty 10-piece storage set. These modular cabinets will enhance storage and workspace in the shop or garage, and they can be mixed and matched to create a variety of storage solutions.



## Parts Breakdown & List



REF	PART #	DESCRIPTION
1	PT27948001	CABINET BODY
2	PT27948002	ADJUSTABLE FEET M12-1.75 X 30
3	PT27948003	CABLE GROMMET
4	PT27948004	SHELF SUPPORT
5	PT27948005	SHELF
6	PT27948006	HINGE, 90-DEG SOFT-CLOSE
7	PT27948007	DOOR (RIGHT)
8	PT27948008	DOOR (LEFT)
9	PT27948009	DOOR HANDLE

REF	PART #	DESCRIPTION
10	PT27948010	DOOR HANDLE CAP
11	PT27948011	FLAT HD SCR M4-.7 X 8
12	PT27948012	LOCK W/2 KEYS
13	PT27948013	TOUCH-UP PAINT, GLOSSY BLACK
14	PT27948014	TOUCH-UP PAINT, RED
15	PT27948015	WARNING LABEL
16	PT27948016	QR CODE LABEL
17	PT27948017	GRIZZLY.COM LABEL, GOLD

**Please Note:** We do our best to stock replacement parts whenever possible, but we cannot guarantee that all parts shown here are available for purchase. Call (800) 523-4777 or visit our online parts store at [www.grizzly.com](http://www.grizzly.com) to check for availability.

