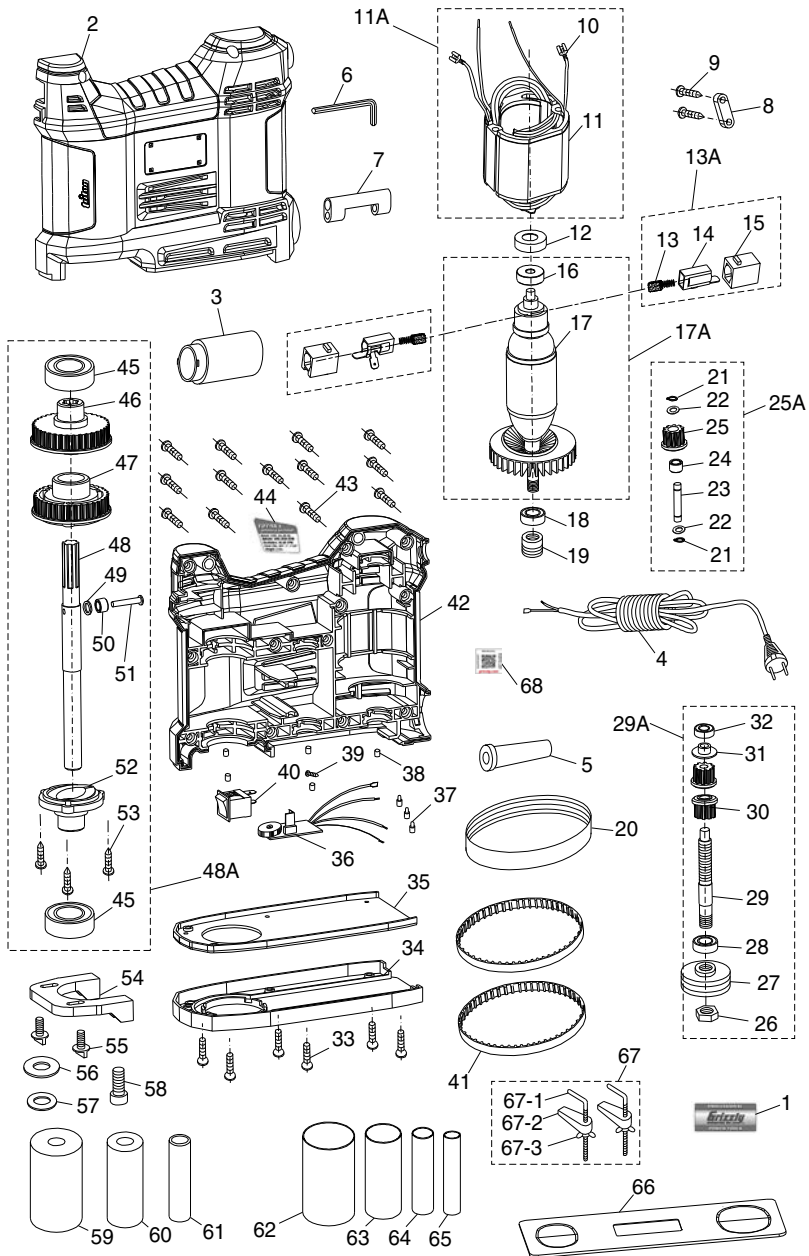


SECTION 9: PARTS



Parts breakdown provided for reference only. Not all parts shown are available for purchase.

Model T27961 (Mfd. Since 02/17)

-25-

Main Parts List

REF	PART #	DESCRIPTION
1	PT27961001	POWER TOOL LABEL
2	PT27961002	HOUSING (LEFT)
3	PT27961003	DUST PORT 1-1/2"
4	PT27961004	POWER CORD
5	PT27961005	CONTINUOUS-FLEX STRAIN RELIEF
6	PT27961006	HEX WRENCH 6MM
7	PT27961007	HEX WRENCH HOLDER
8	PT27961008	CABLE CLAMP
9	PT27961009	TAP SCREW M4 X 16
10	PT27961010	CONNECTOR
11A	PT27961011A	STATOR ASSEMBLY
11	PT27961011	STATOR
12	PT27961012	RUBBER RING
13A	PT27961013A	CARBON BRUSH ASSEMBLY
13	PT27961013	CARBON BRUSH
14	PT27961014	BRUSH HOLDER
15	PT27961015	BRUSH HOUSING
16	PT27961016	BALL BEARING 626ZZ (REAR)
17A	PT27961017A	ROTOR ASSEMBLY
17	PT27961017	ROTOR
18	PT27961018	BALL BEARING 608ZZ (FRONT)
19	PT27961019	SMALL POLY-V PULLEY
20	PT27961020	POLY-V BELT EPJ206
21	PT27961021	RETAINING RING 5MM
22	PT27961022	FLAT WASHER 5MM
23	PT27961023	IDLER SHAFT
24	PT27961024	NEEDLE BEARING HK0509
25A	PT27961025A	IDLER PULLEY ASSEMBLY
25	PT27961025	IDLER PULLEY
26	PT27961026	HEX NUT M8-1.25
27	PT27961027	LARGE POLY-V PULLEY
28	PT27961028	BALL BEARING 608ZZ
29A	PT27961029A	INTERMEDIATE SHAFT ASSEMBLY
29	PT27961029	INTERMEDIATE SHAFT
30	PT27961030	SMALL TIMING-BELT WHEEL
31	PT27961031	STOP COLLAR
32	PT27961032	BALL BEARING 626ZZ
33	PT27961033	TAP SCREW M4 X 12
34	PT27961034	BASE PLATE, PLASTIC

REF	PART #	DESCRIPTION
35	PT27961035	BASE PLATE, ALUMINUM
36	PT27961036	CIRCUIT BOARD W/WIRES
37	PT27961037	ATTACHMENT CAP
38	PT27961038	RUBBER PAD 5 X 7MM
39	PT27961039	TAP SCREW M2 X 10
40	PT27961040	ON/OFF SWITCH FA-3/1B 6(6)A
41	PT27961041	TIMING BELT XL100
42	PT27961042	HOUSING (RIGHT)
43	PT27961043	TAP SCREW M4 X 16
44	PT27961044	MACHINE ID LABEL
45	PT27961045	BALL BEARING 6004ZZ
46	PT27961046	TRANSMISSION SHAFT/PULLEY
47	PT27961047	DIFFERENTIAL SHAFT/PULLEY
48A	PT27961048A	OUTPUT SHAFT ASSEMBLY
48	PT27961048	OUTPUT SHAFT
49	PT27961049	FLAT WASHER 4MM
50	PT27961050	NEEDLE BEARING
51	PT27961051	CLEVIS PIN 4 X 24
52	PT27961052	DIFFERENTIAL WHEEL COVER
53	PT27961053	TAP SCREW M4 X 16
54	PT27961054	GUIDE PLATE
55	PT27961055	KNOB M5-.8 X 18 (PLASTIC)
56	PT27961056	FENDER WASHER 1/2
57	PT27961057	FENDER WASHER 6MM
58	PT27961058	CAP SCREW M6-1 X 12
59	PT27961059	RUBBER SANDING DRUM 1-1/2" X 3"
60	PT27961060	RUBBER SANDING DRUM 1" X 3"
61	PT27961061	RUBBER SANDING DRUM 3/4" X 3"
62	PT27961062	SANDING SLEEVE 1-1/2" X 3"
63	PT27961063	SANDING SLEEVE 1" X 3"
64	PT27961064	SANDING SLEEVE 3/4" X 3"
65	PT27961065	SANDING SLEEVE 1/2" X 3"
66	PT27961066	MOUNTING PAD
67	PT27961067	MOUNTING CLAMP ASSEMBLY
67-1	PT27961067-1	ANCHOR BOLT M8-1.25 X 125 L-HOOK
67-2	PT27961067-2	CLAMP FOOT
67-3	PT27961067-3	WING NUT M8-1.25
68	PT27961068	QR CODE LABEL