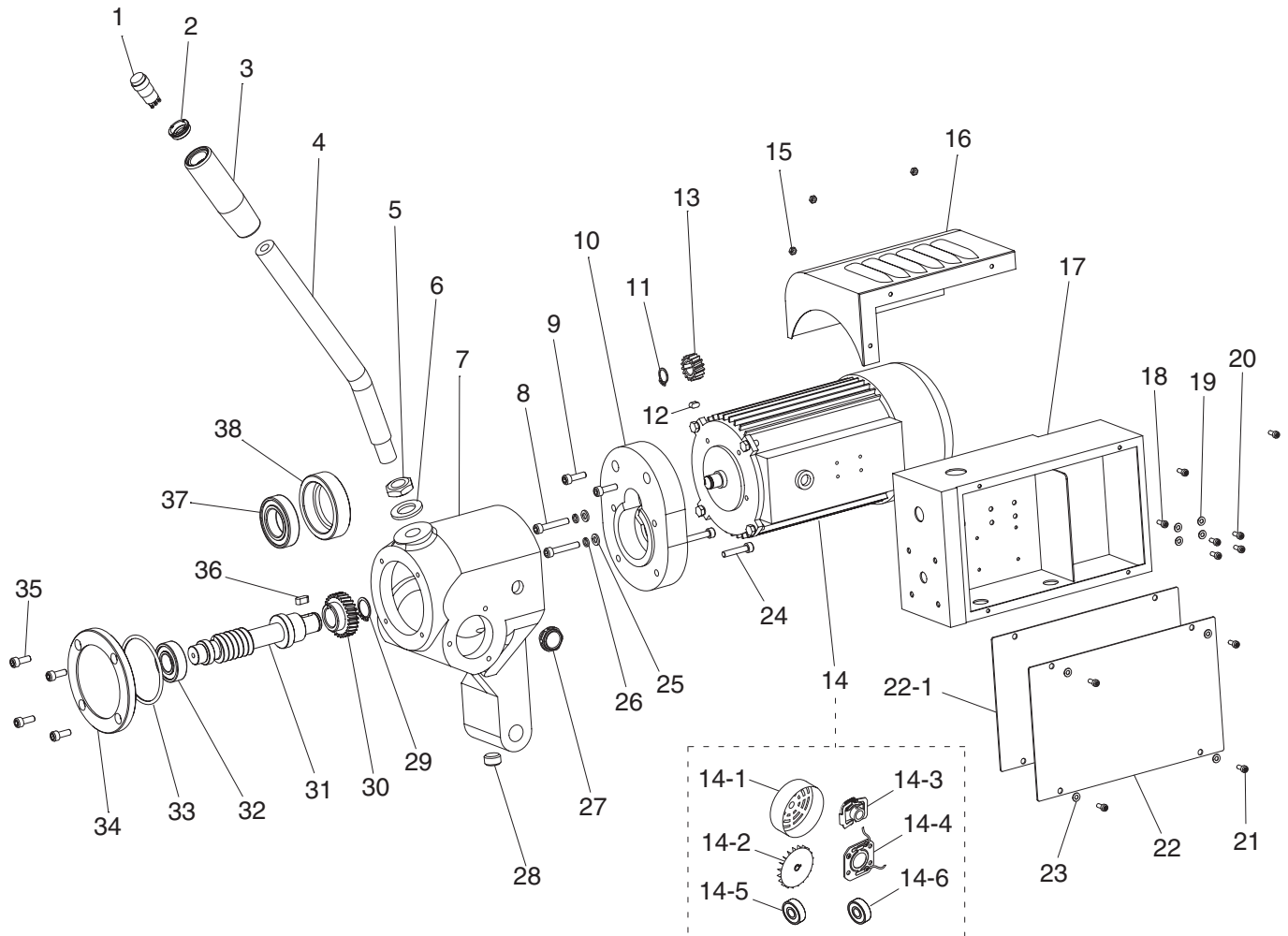


SECTION 9: PARTS

We do our best to stock replacement parts when possible, but we cannot guarantee that all parts shown are available for purchase. Call **(800) 523-4777** or visit **www.grizzly.com/parts** to check for availability.

Motor



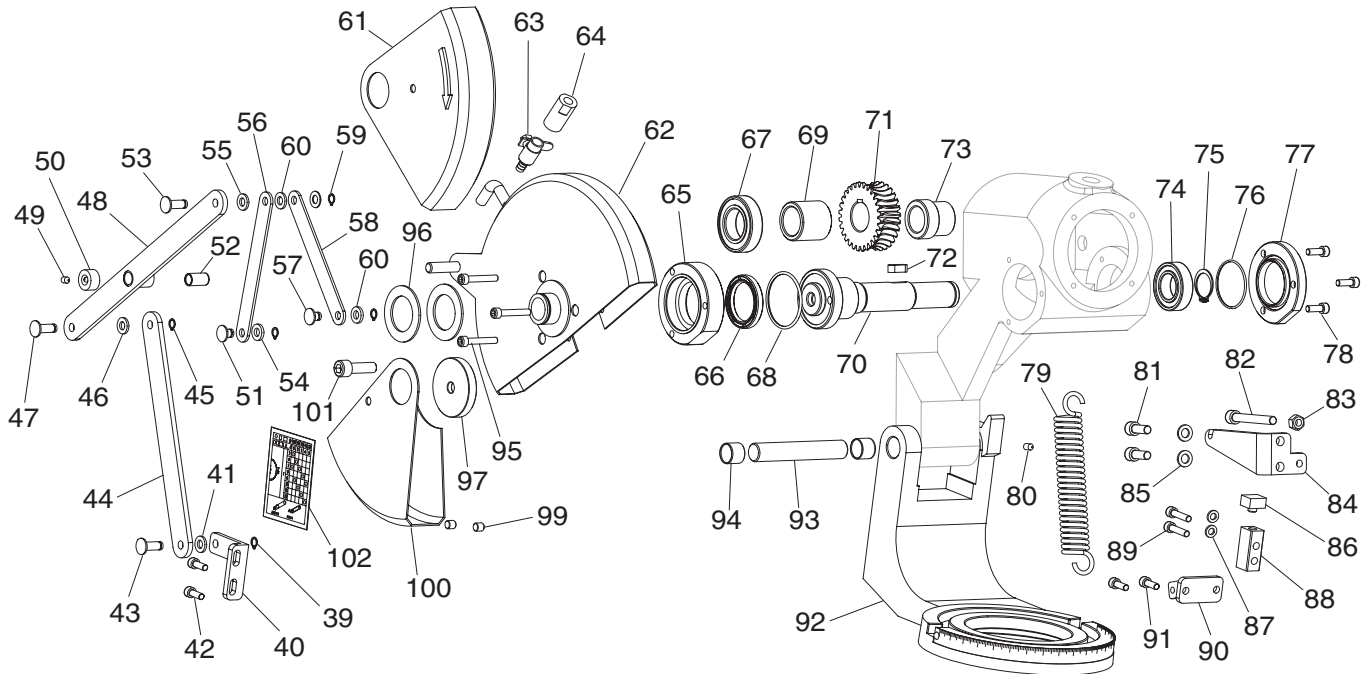
Motor Parts List

REF	PART #	DESCRIPTION
1	PT28366001	POWER BUTTON LA51-11
2	PT28366002	EXT THREAD COLLAR 24 X 8MM
3	PT28366003	LEVER ARM HANDLE
4	PT28366004	LEVER ARM
5	PT28366005	HEX NUT M18-2.5 THIN
6	PT28366006	FLAT WASHER 18MM
7	PT28366007	HEADSTOCK
8	PT28366008	CAP SCREW M6-1 X 35
9	PT28366009	CAP SCREW M6-1 X 20
10	PT28366010	MOTOR MOUNT
11	PT28366011	EXT RETAINING RING 14MM
12	PT28366012	KEY 5 X 5 X 10
13	PT28366013	GEAR 17T
14	PT28366014	MOTOR 1HP 115V 1-PH
14-1	PT28366014-1	MOTOR FAN COVER
14-2	PT28366014-2	MOTOR FAN
14-3	PT28366014-3	CENTRIFUGAL SWITCH
14-4	PT28366014-4	CONTACT PLATE
14-5	PT28366014-5	BALL BEARING
14-6	PT28366014-6	BALL BEARING
15	PT28366015	HEX NUT M4-.7
16	PT28366016	MOTOR GUARD
17	PT28366017	ELECTRICAL BOX

REF	PART #	DESCRIPTION
18	PT28366018	CAP SCREW M4-.7 X 10
19	PT28366019	FLAT WASHER 4MM
20	PT28366020	CAP SCREW M4-.7 X 10
21	PT28366021	CAP SCREW M4-.7 X 10
22	PT28366022	ELECTRICAL BOX COVER
22-1	PT28366122-1	ELECTRICAL BOX COVER GASKET
23	PT28366023	FLAT WASHER 4MM
24	PT28366024	CAP SCREW M6-1 X 30
25	PT28366025	FLAT WASHER 6MM
26	PT28366026	LOCK WASHER 6MM
27	PT28366027	OIL SIGHT GLASS
28	PT28366028	OIL PLUG
29	PT28366029	EXT RETAINING RING 20MM
30	PT28366030	GEAR 27T
31	PT28366031	WORM SHAFT
32	PT28366032	BALL BEARING 6004-2RS
33	PT28366033	GASKET 75 X 3.55
34	PT28366034	HEADSTOCK COVER
35	PT28366035	CAP SCREW M6-1 X 16
36	PT28366036	KEY 6 X 6 X 15
37	PT28366037	BALL BEARING 6006-2RS
38	PT28366038	BALL BEARING BUSHING



Headstock



REF PART # DESCRIPTION

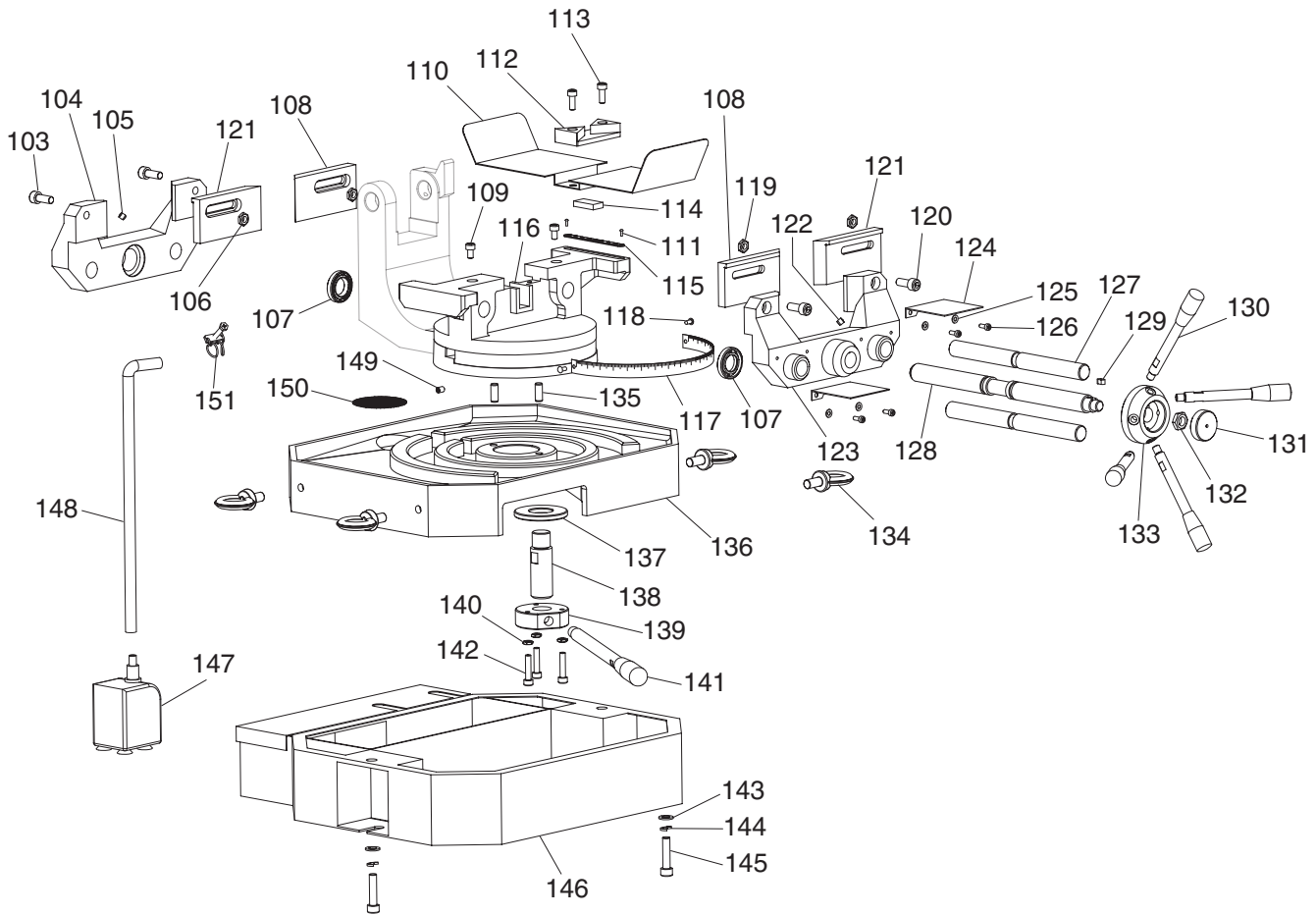
39	PT28366039	EXT RETAINING RING 8MM
40	PT28366040	LINKAGE BRACKET
41	PT28366041	FLAT WASHER 8MM
42	PT28366042	CAP SCREW M6-1 X 16
43	PT28366043	RETAINING PIN
44	PT28366044	GUARD LINKAGE (LOWER)
45	PT28366045	EXT RETAINING RING 8MM
46	PT28366046	FLAT WASHER 8MM
47	PT28366047	RETAINING PIN
48	PT28366048	GUARD LINKAGE (LOWER)
49	PT28366049	SET SCREW M6-1 X 8
50	PT28366050	LOCK COLLAR
51	PT28366051	RETAINING PIN
52	PT28366052	HINGE PIN
53	PT28366053	RETAINING PIN
54	PT28366054	FLAT WASHER 8MM PLASTIC
55	PT28366055	FLAT WASHER 8MM
56	PT28366056	SMALL GUARD LINKAGE (OUTER)
57	PT28366057	RETAINING PIN
58	PT28366058	SMALL GUARD LINKAGE (INNER)
59	PT28366059	EXT RETAINING RING 8MM
60	PT28366060	FLAT WASHER 8MM PLASTIC
61	PT28366061	BLADE GUARD (UPPER)
62	PT28366062	BLADE HOOD
63	PT28366063	COOLANT CONTROL VALVE
64	PT28366064	PIPE FITTING
65	PT28366065	ARBOR SHAFT SEAT
66	PT28366066	ARBOR SHAFT SEAL
67	PT28366067	BALL BEARING 6006-2RS
68	PT28366068	RUBBER GASKET 56 X 2.65 X 61.3
69	PT28366069	ARBOR SHAFT BUSHING
70	PT28366070	ARBOR SHAFT

REF PART # DESCRIPTION

71	PT28366071	WORM GEAR 28T
72	PT28366072	KEY 8 X 7 X 20MM
73	PT28366073	ARBOR SHAFT BUSHING
74	PT28366074	BALL BEARING 6006-2RS
75	PT28366075	EXT RETAINING RING 25MM
76	PT28366076	RUBBER GASKET 47.5 X 2.65 X 52.8
77	PT28366077	ARBOR SHAFT COVER
78	PT28366078	CAP SCREW M6-1 X 16
79	PT28366079	TENSION SPRING
80	PT28366080	SET SCREW M6-1 X 10
81	PT28366081	CAP SCREW M8-1.25 X 20
82	PT28366082	CAP SCREW M8-1.25 X 60
83	PT28366083	HEX NUT M8-1.25
84	PT28366084	SPRING ARM (UPPER)
85	PT28366085	FLAT WASHER 8MM
86	PT28366086	STOP BLOCK CUSHION
87	PT28366087	FLAT WASHER 6MM
88	PT28366088	STOP BLOCK
89	PT28366089	CAP SCREW M6-1 X 25
90	PT28366090	SPRING ARM (LOWER)
91	PT28366091	CAP SCREW M6-1 X 16
92	PT28366092	WISE BASE
93	PT28366093	PIVOT SHAFT
94	PT28366094	HINGE PIN
95	PT28366095	CAP SCREW M6-1 X 35
96	PT28366096	BUSHING PLASTIC
97	PT28366097	BLADE FLANGE
99	PT28366099	ROLL PIN
100	PT28366100	BLADE GUARD (LOWER)
101	PT28366101	CAP SCREW M10-1.5 X 25 LH
102	PT28366102	CUTTING LABEL



Base

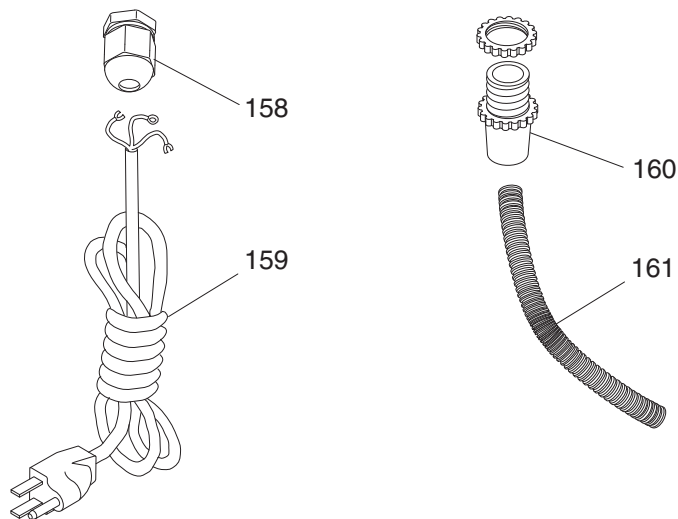
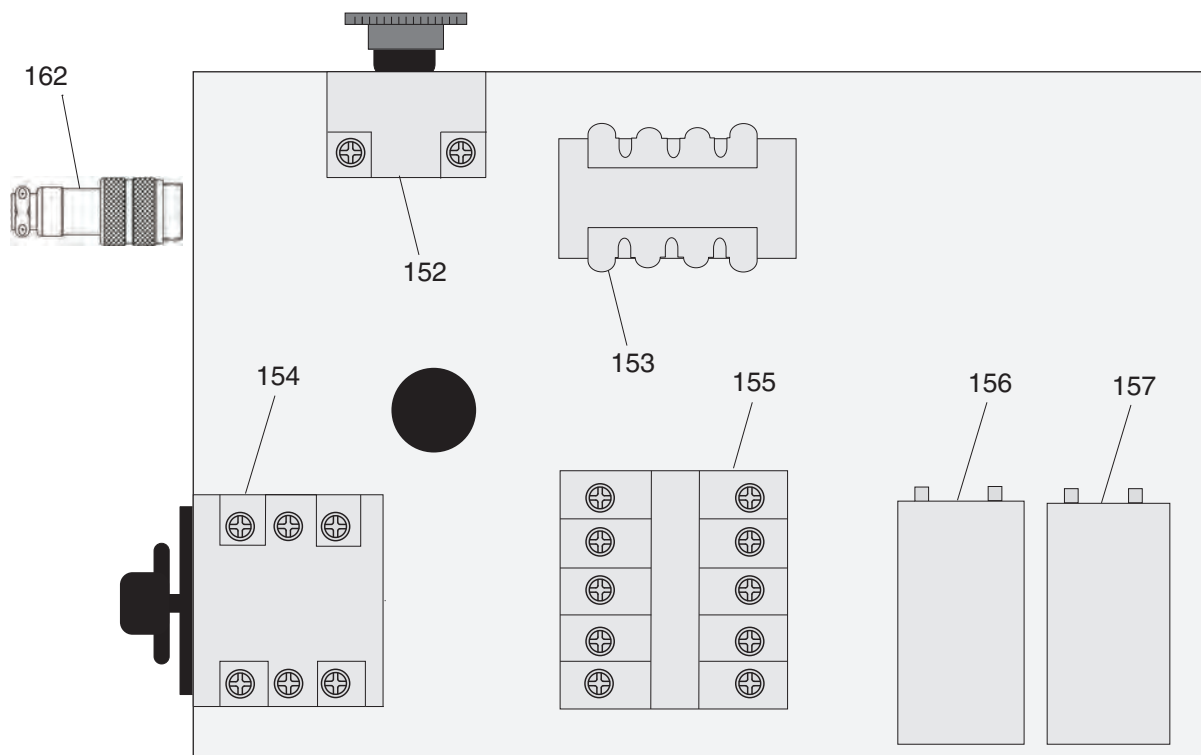


REF	PART #	DESCRIPTION
103	PT28366103	CAP SCREW M8-1.25 X 20
104	PT28366104	WISE BODY (REAR)
105	PT28366105	BALL OILER 6MM PRESS-IN
106	PT28366106	HEX NUT M8-1.25
107	PT28366107	RUBBER SEAL
108	PT28366108	WISE JAW BEVEL (LEFT)
109	PT28366109	CAP SCREW M6-1 X 10
110	PT28366110	SPLASH GUARD
111	PT28366111	RIVET 2 X 6MM
112	PT28366112	SPLASH GUARD SUPPORT
113	PT28366113	CAP SCREW M6-1 X 16
114	PT28366114	RUBBER GASKET
115	PT28366115	SCALE PLATE
116	PT28366116	WISE BASE
117	PT28366117	ANGLE INDICATOR PLATE
118	PT28366118	RIVET 2 X 6MM
119	PT28366119	HEX NUT M8-1.25
120	PT28366120	CAP SCREW M8-1.25 X 20
121	PT28366121	WISE JAW BEVEL (RIGHT)
122	PT28366122	BALL OILER 6MM PRESS-IN
123	PT28366123	WISE BODY (FRONT)
124	PT28366124	LEADSCREW COVER
125	PT28366125	FLAT WASHER 4MM
126	PT28366126	CAP SCREW M4-.7 X 10
127	PT28366127	WISE GUIDE SHAFT

REF	PART #	DESCRIPTION
128	PT28366128	WISE LEADSCREW
129	PT28366129	KEY 5 X 5 X 10
130	PT28366130	FIXED HANDLE 12 X 130, M8-1.25 X 10
131	PT28366131	HANDWHEEL HUB COVER
132	PT28366132	HEX NUT M12-1.75 THIN
133	PT28366133	HANDWHEEL HUB
134	PT28366134	EYE BOLT M10-1.5 X 20
135	PT28366135	ROLL PIN 8 X 20
136	PT28366136	MITER BASE
137	PT28366137	SPACER 26 ID X 60 OD
138	PT28366138	STUD-UDE M20-2.5
139	PT28366139	TENSION NUT M20-2.5
140	PT28366140	HEX NUT M6-1
141	PT28366141	FIXED HANDLE 12X 260, M12-1.75 X 15
142	PT28366142	CAP SCREW M6-1 X 28
143	PT28366143	FLAT WASHER 8MM
144	PT28366144	LOCK WASHER 8MM
145	PT28366145	CAP SCREW M8-1.25 X 35
146	PT28366146	MACHINE BASE W/COOLANT RESERVOIR
147	PT28366147	PUMP SONGLONG SL-401 120V 15W
148	PT28366148	COOLANT HOSE 12 X 610MM
149	PT28366149	SET SCREW M6-1 X 10
150	PT28366150	MESH FILTER
151	PT28366151	HOSE CLAMP 12MM



Electrical

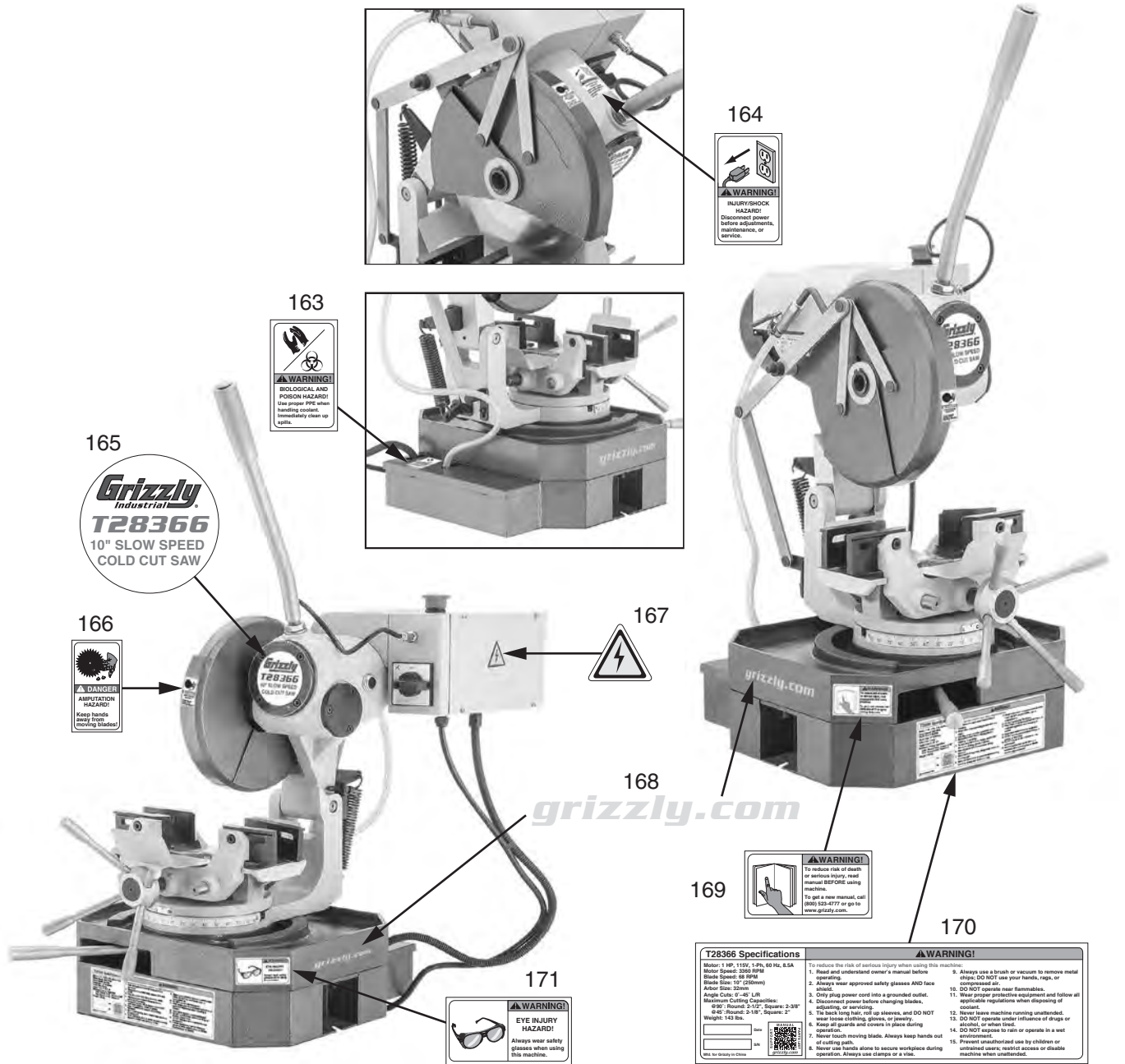


REF	PART #	DESCRIPTION
152	PT28366152	E-STOP BUTTON ZB2-BE102C
153	PT28366153	TRANSFORMER 115V AC IP 24V AC OP
154	PT28366154	ROTARY SWITCH CANSEN LW30-20
155	PT28366155	CONTACTOR TELEMECANIQUE 115V
156	PT28366156	R CAPACITOR 65UF 250V 1-1/2" X 3-1/4"
157	PT28366157	S CAPACITOR 500UF 125V 1-1/2" X 3-1/4"

REF	PART #	DESCRIPTION
158	PT28366158	STRAIN RELIEF TYPE-3 M16-1.5
159	PT28366159	POWER CORD 3W 14G 72" 5-15P
160	PT28366160	STRAIN RELIEF TYPE-4 AD13
161	PT28366161	CONDUIT 13 X 610
162	PT28366162	AVIATION PLUG 2 PIN



Labels & Cosmetics



REF	PART #	DESCRIPTION
163	PT28366163	BIOHAZARD LABEL
164	PT28366164	UNPLUG LABEL
165	PT28366165	MODEL NUMBER LABEL
166	PT28366166	BLADE FINGERS LABEL
167	PT28366167	ELECTRICITY LABEL

REF	PART #	DESCRIPTION
168	PT28366168	GRIZZLY.COM LABEL
169	PT28366169	READ MANUAL LABEL
170	PT28366170	MACHINE ID LABEL
171	PT28366171	EYE PROTECTION LABEL

⚠ WARNING

Safety labels warn about machine hazards and ways to prevent injury. The owner of this machine **MUST** maintain the original location and readability of the labels on the machine. If any label is removed or becomes unreadable, **REPLACE** that label before using the machine again. Contact Grizzly at (800) 523-4777 or www.grizzly.com to order new labels.

