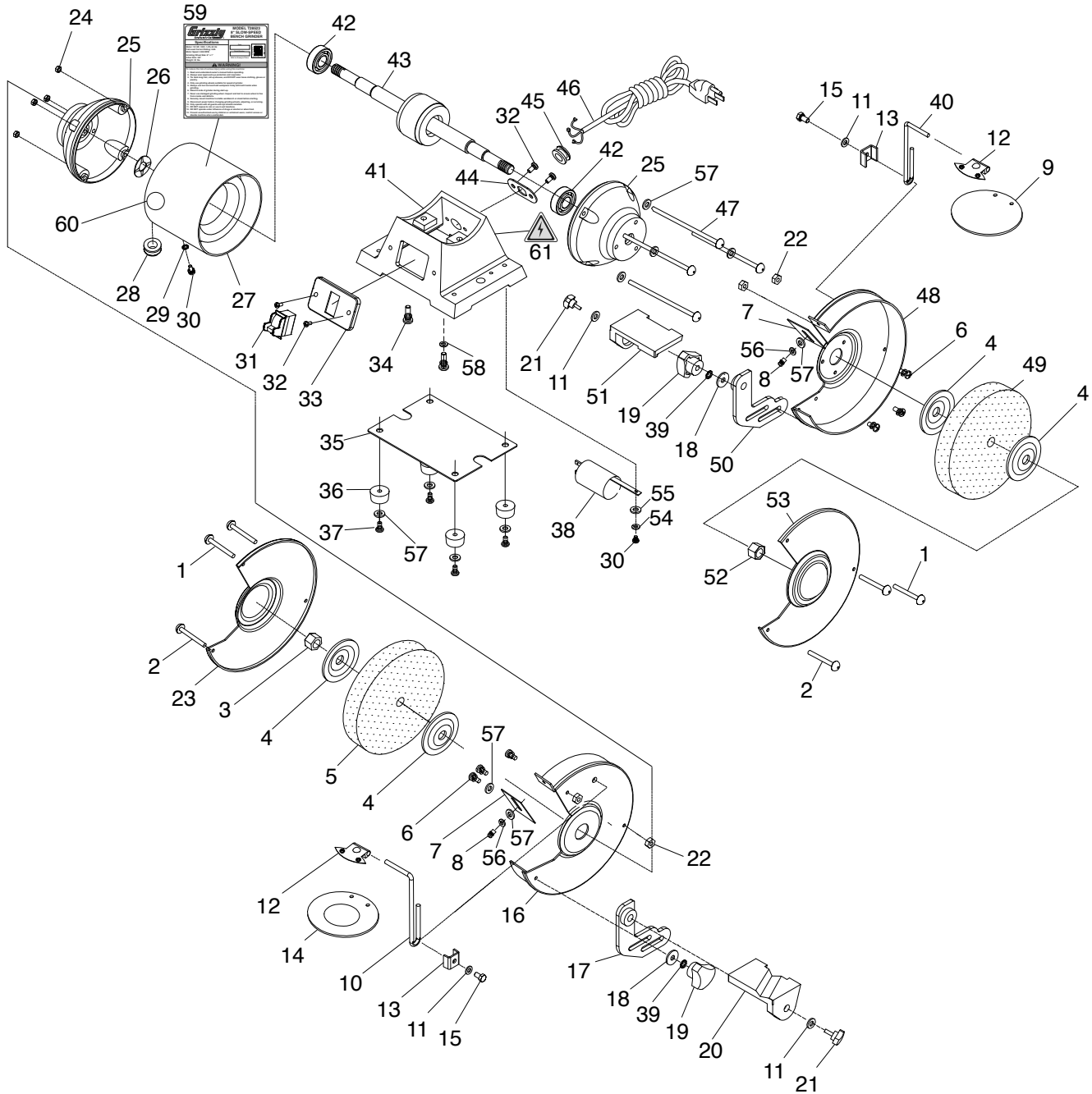


# SECTION 9: PARTS

We do our best to stock replacement parts when possible, but we cannot guarantee that all parts shown are available for purchase. Call **(800) 523-4777** or visit **www.grizzly.com/parts** to check for availability.



# Parts List

REF	PART #	DESCRIPTION
1	PT28523001	PHLP HD SCR M5-.8 X 50
2	PT28523002	CARRIAGE BOLT M5-.8 X 50
3	PT28523003	HEX NUT M16-2 LH
4	PT28523004	GRINDING WHEEL FLANGE
5	PT28523005	GRINDING WHEEL 8" X 1" X 5/8" 120G
6	PT28523006	PHLP HD SCR M5-.8 X 10
7	PT28523007	SPARK DEFLECTOR
8	PT28523008	PHLP HD SCR M5-.8 X 10
9	PT28523009	SAFETY SHIELD (RIGHT)
10	PT28523010	SAFETY SHIELD BRACKET (LEFT)
11	PT28523011	FLAT WASHER 6MM
12	PT28523012	SAFETY SHIELD CLAMPING PLATE
13	PT28523013	SHIELD BRACKET CLAMP
14	PT28523014	SAFETY SHIELD W/MAGNIFIER (LEFT)
15	PT28523015	HEX BOLT M6-1 X 14 BLK
16	PT28523016	WHEEL GUARD (INNER, LEFT)
17	PT28523017	TOOL REST BRACKET (LEFT)
18	PT28523018	FENDER WASHER 5MM
19	PT28523019	KNOB M5-.8, 3-LOBE, D25
20	PT28523020	TOOL REST (LEFT)
21	PT28523021	KNOB BOLT M6-1 X 18, 3-LOBE, D25
22	PT28523022	FLANGE NUT M5-.8
23	PT28523023	WHEEL GUARD (OUTER, LEFT)
24	PT28523024	FLANGE NUT M5-.8
25	PT28523025	MOTOR END CAP
26	PT28523026	WAVY WASHER 40MM
27	PT28523027	STATOR
28	PT28523028	GROMMET 10MM RUBBER
29	PT28523029	EXT TOOTH WASHER 4MM
30	PT28523030	PHLP HD SCR M4-.7 X 8
31	PT28523031	ON/OFF SWITCH KEDU HY7 250V

REF	PART #	DESCRIPTION
32	PT28523032	PHLP HD SCR M5-.8 X 8
33	PT28523033	SWITCH PLATE
34	PT28523034	HEX BOLT M8-1.25 X 22
35	PT28523035	GRINDER BASE PLATE
36	PT28523036	FOOT (RUBBER)
37	PT28523037	PHLP HD SCR M5-.8 X 16
38	PT28523038	R CAPACITOR 25M 300V 1-1/2 X 3
39	PT28523039	LOCK WASHER 5MM
40	PT28523040	SAFETY SHIELD BRACKET (RIGHT)
41	PT28523041	GRINDER BASE
42	PT28523042	BALL BEARING 6024ZZ
43	PT28523043	ROTOR
44	PT28523044	STRAIN RELIEF PLATE
45	PT28523045	STRAIN RELIEF TYPE-1 1/2
46	PT28523046	POWER CORD 18G 3W 78" 5-15P
47	PT28523047	PHLP HD SCR M5-.8 X 148
48	PT28523048	WHEEL GUARD (INNER, RIGHT)
49	PT28523049	GRINDING WHEEL 8" X 5/8" X 1" 60G
50	PT28523050	TOOL REST BRACKET (RIGHT)
51	PT28523051	TOOL REST (RIGHT)
52	PT28523052	HEX NUT M16-2
53	PT28523053	WHEEL GUARD (OUTER, RIGHT)
54	PT28523054	LOCK WASHER 4MM
55	PT28523055	FLAT WASHER 4MM
56	PT28523056	LOCK WASHER 5MM
57	PT28523057	FLAT WASHER 5MM
58	PT28523058	LOCK WASHER 8MM
59	PT28523059	MACHINE ID LABEL
60	PT28523060	TOUCH-UP PAINT, GRIZZLY GREEN
61	PT28523061	ELECTRICITY LABEL

## WARNING

Safety labels help reduce the risk of serious injury caused by machine hazards. If any label comes off or becomes unreadable, the owner of this machine **MUST** replace it in the original location before resuming operations. For replacements, contact (800) 523-4777 or [www.grizzly.com](http://www.grizzly.com).

