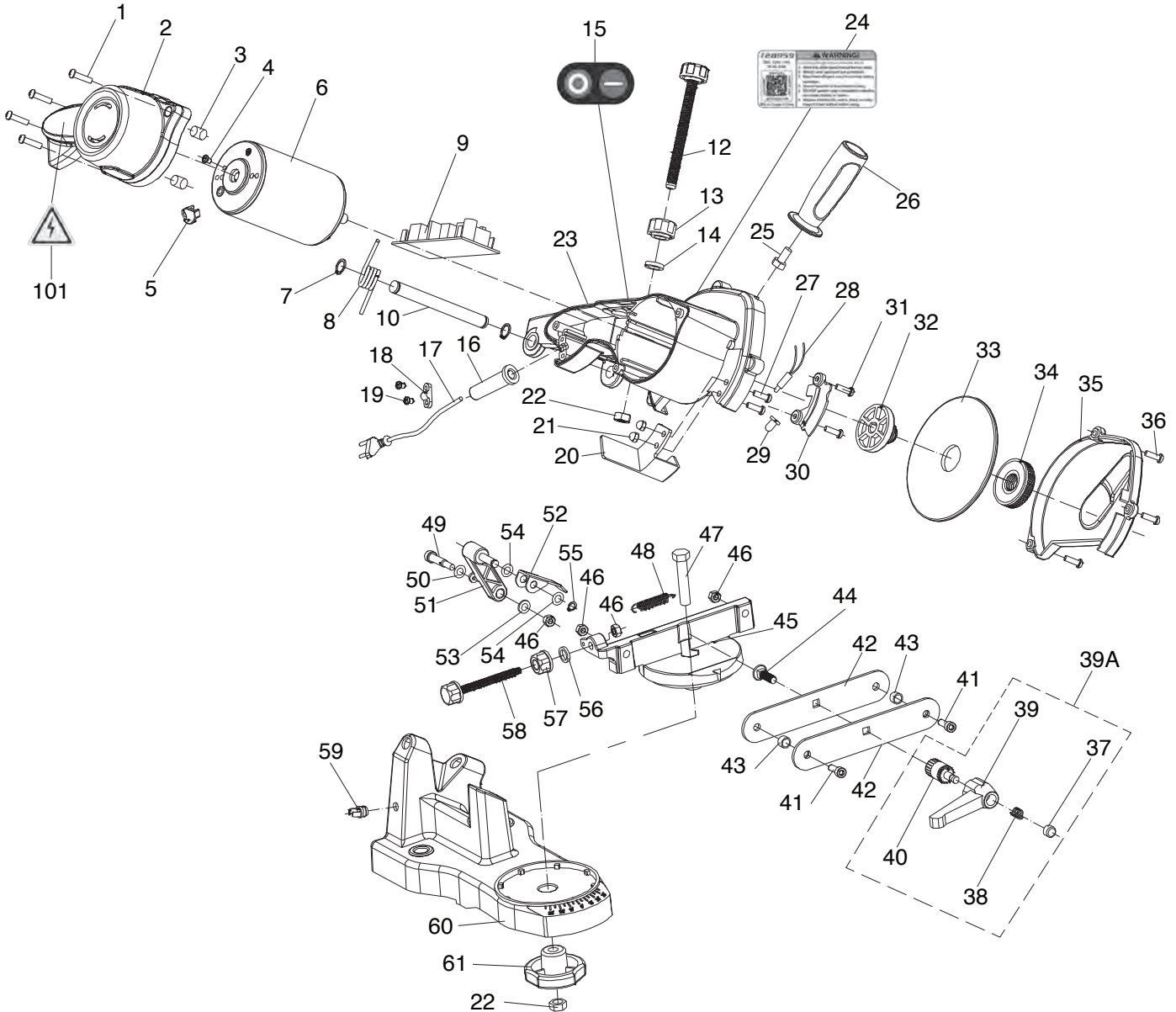


# SECTION 9: PARTS

We do our best to stock replacement parts when possible, but we cannot guarantee that all parts shown are available for purchase. Call (800) 523-4777 or visit [www.grizzly.com/parts](http://www.grizzly.com/parts) to check for availability.

## Main



# Main Parts List

REF	PART #	DESCRIPTION
1	PT28959001	PHLP HD SCR M4-.7 X 16
2	PT28959002	MOTOR COVER
3	PT28959003	SPACER 4ID X 8OD X 7L RUBBER
4	PT28959004	PHLP HD SCR M4-.7 X 6
5	PT28959005	WIRE CLIP
6	PT28959006	MOTOR 72W 120V 1-PH
7	PT28959007	EXT RETAINING RING 10MM
8	PT28959008	TORSION SPRING
9	PT28959009	CIRCUIT BOARD 120V W/ON/OFF SWITCHES
10	PT28959010	SWING ARM PIN 10 X 102
12	PT28959012	KNOB BOLT M8-1.25 X 86, 6-LOBE, D22
13	PT28959013	KNOB M8-1.25, 6-LOBE, D22
14	PT28959014	WASHER 8 X 15 X 2MM RUBBER
15	PT28959015	SWITCH COVER (PLASTIC) ON/OFF
16	PT28959016	STRAIN RELIEF 8ID X 13OD X 39L
17	PT28959017	POWER CORD 18G 2W 72" 1-15P
18	PT28959018	POWER CORD CLAMP
19	PT28959019	TAP SCREW M4-.7 X 12
20	PT28959020	SPARK SHIELD
21	PT28959021	ACORN NUT M4-.7
22	PT28959022	HEX NUT M8-1.25
23	PT28959023	MOTOR HOUSING
24	PT28959024	MACHINE ID LABEL
25	PT28959025	HEX BOLT M6-1 X 18
26	PT28959026	HOLLOW HANDLE 24 X 78, M6-1
27	PT28959027	PHLP HD SCR M4-.7 X 12
28	PT28959028	LED BULB 120V
29	PT28959029	LED LENS
30	PT28959030	LED COVER
31	PT28959031	PHLP HD SCR M4-.7 X 8
32	PT28959032	ARBOR M16-2

REF	PART #	DESCRIPTION
33	PT28959033	GRINDING WHEEL 4-1/4" X 3/16" 100G
34	PT28959034	ARBOR NUT M16-2
35	PT28959035	WHEEL COVER
36	PT28959036	PHLP HD SCR M4-.7 X 14
37	PT28959037	SPRING CAP
38	PT28959038	COMPRESSION SPRING .75 X 7 X 10
39	PT28959039	ADJUSTABLE HANDLE 60L, M6-1
39A	PT28959039A	ADJUSTABLE HANDLE ASSEMBLY
40	PT28959040	ADJUSTABLE HANDLE PIN
41	PT28959041	CAP SCREW M6-1 X 20
42	PT28959042	CHAIN CLAMP PLATE
43	PT28959043	SPACER 6ID X 11OD X 2L
44	PT28959044	CARRIAGE BOLT M6-1 X 14
45	PT28959045	INDEXABLE ROTATING BASE
46	PT28959046	HEX NUT M6-1
47	PT28959047	HEX BOLT M8-1.25 X 40
48	PT28959048	EXTENSION SPRING 0.75 X 10 X 32
49	PT28959049	SHOULDER SCREW M6-1 X 8, 7 X 12
50	PT28959050	FLAT WASHER 6MM
51	PT28959051	CHAIN STOP GUIDE
52	PT28959052	CHAIN STOP
53	PT28959053	FLAT WASHER 6MM
54	PT28959054	FLAT WASHER 6MM BLK
55	PT28959055	E-CLIP 6MM
56	PT28959056	WASHER 6 X 14 X 2MM RUBBER
57	PT28959057	KNOB M6-1, 6-LOBE, D18
58	PT28959058	KNOB BOLT M6-1 X 60, 6-LOBE, D18
59	PT28959059	CABLE CLIP
60	PT28959060	BASE
61	PT28959061	KNOB M8-1.25, 3-LOBE, D50
101	PT28959101	ELECTRICITY LABEL

## WARNING

Safety labels help reduce the risk of serious injury caused by machine hazards. If any label comes off or becomes unreadable, the owner of this machine **MUST** replace it in the original location before resuming operations. For replacements, contact (800) 523-4777 or [www.grizzly.com](http://www.grizzly.com).

