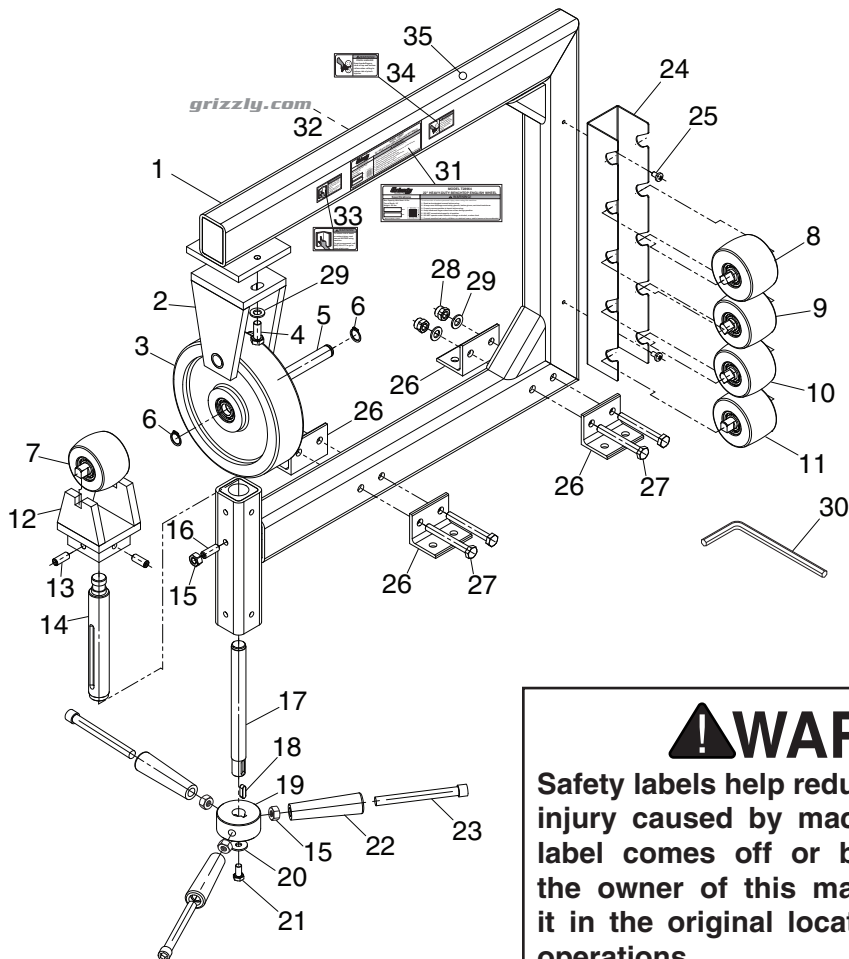


SECTION 7: PARTS

We do our best to stock replacement parts when possible, but we cannot guarantee that all parts shown are available for purchase. Call (800) 523-4777 or visit www.grizzly.com/parts to check for availability.



⚠ WARNING
 Safety labels help reduce the risk of serious injury caused by machine hazards. If any label comes off or becomes unreadable, the owner of this machine **MUST** replace it in the original location before resuming operations.

| REF | PART # | DESCRIPTION |
|-----|------------|-------------------------|
| 1 | PT28964001 | FRAME |
| 2 | PT28964002 | WHEEL BRACKET |
| 3 | PT28964003 | WHEEL |
| 4 | PT28964004 | HEX BOLT M10-1.5 X 25 |
| 5 | PT28964005 | AXLE SHAFT 17 X 90 |
| 6 | PT28964006 | EXT RETAINING RING 17MM |
| 7 | PT28964007 | ANVIL 3" RADIUS |
| 8 | PT28964008 | ANVIL 4" RADIUS |
| 9 | PT28964009 | ANVIL 5" RADIUS |
| 10 | PT28964010 | ANVIL 6" RADIUS |
| 11 | PT28964011 | ANVIL 8" RADIUS |
| 12 | PT28964012 | ANVIL BRACKET |
| 13 | PT28964013 | SET SCREW M10-1.5 X 25 |
| 14 | PT28964014 | ANVIL BRACKET SHAFT |
| 15 | PT28964015 | HEX NUT M10-1.5 |
| 16 | PT28964016 | SET SCREW M10-1.5 X 30 |
| 17 | PT28964017 | LEADSCREW |
| 18 | PT28964018 | KEY 6 X 6 X 25 |

| REF | PART # | DESCRIPTION |
|-----|------------|-------------------------------|
| 19 | PT28964019 | HANDLE HUB |
| 20 | PT28964020 | FLAT WASHER 8MM |
| 21 | PT28964021 | CAP SCREW M8-1.25 X 16 |
| 22 | PT28964022 | HOLLOW HANDLE 25 X 100, ID 10 |
| 23 | PT28964023 | SLOTTED BOLT M10-1.5 X 120 |
| 24 | PT28964024 | ANVIL STORAGE RACK |
| 25 | PT28964025 | BUTTON HD CAP SCR M6-1 X 10 |
| 26 | PT28964026 | MOUNTING BRACKET |
| 27 | PT28964027 | HEX BOLT M10-1.5 X 80 |
| 28 | PT28964028 | LOCK NUT M10-1.5 |
| 29 | PT28964029 | FLAT WASHER 10MM |
| 30 | PT28964030 | HEX WRENCH 5MM |
| 31 | PT28964031 | MACHINE ID LABEL |
| 32 | PT28964032 | GRIZZLY.COM LABEL |
| 33 | PT28964033 | READ MANUAL LABEL |
| 34 | PT28964034 | PINCH WARNING LABEL |
| 35 | PT28964035 | TOUCH-UP PAINT, GRIZZLY GREEN |

