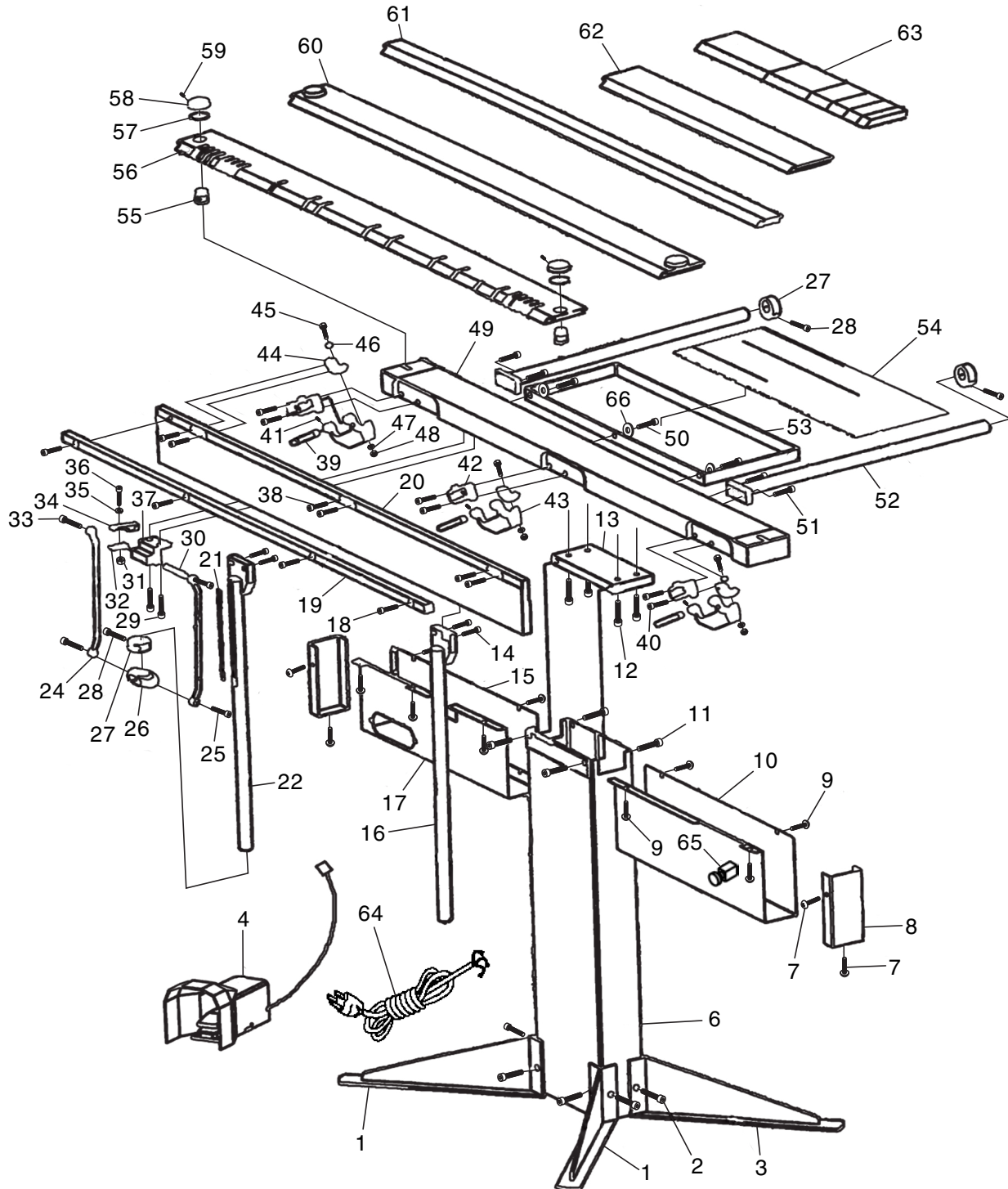


SECTION 9: PARTS

We do our best to stock replacement parts when possible, but we cannot guarantee that all parts shown are available for purchase. Call (800) 523-4777 or visit www.grizzly.com/parts to check for availability.

Main

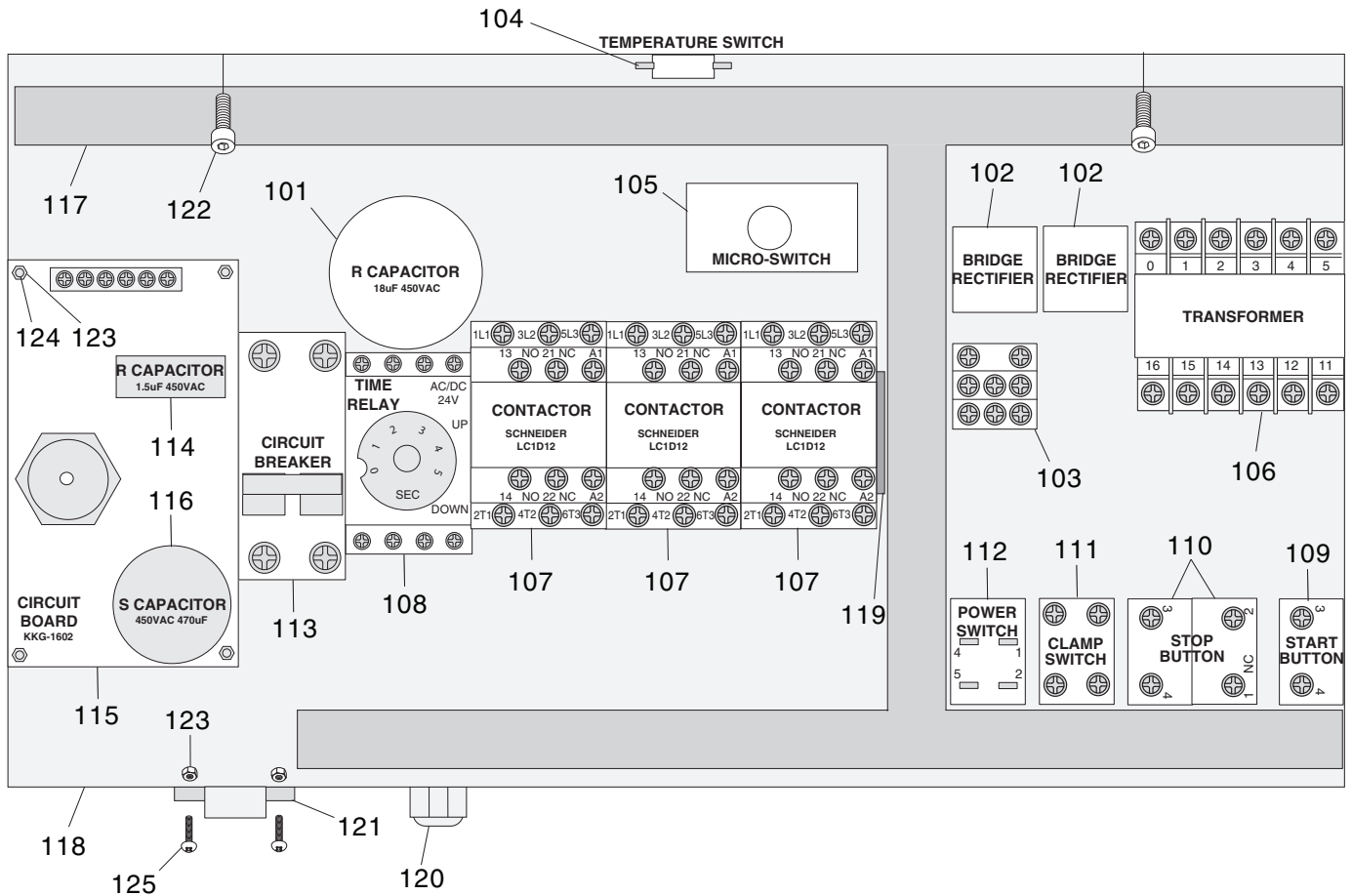


Main Parts List

REF	PART #	DESCRIPTION	REF	PART #	DESCRIPTION
1	PT30297001	BASE FOOT (FRONT)	35	PT30297035	LOCK WASHER 6MM
2	PT30297002	CAP SCREW M10-1.5 X 20	36	PT30297036	CAP SCREW M6-1 X 25
3	PT30297003	BASE FOOT (REAR)	37	PT30297037	BRACKET
4	PT30297004	FOOT PEDAL ASSEMBLY	38	PT30297038	CAP SCREW M8-1.25 X 20
6	PT30297006	STAND	39	PT30297039	PIN 12 X 100
7	PT30297007	PHLP HD SCR M6-1 X 12	40	PT30297040	CAP SCREW M8-1.25 X 20
8	PT30297008	END PLATE	41	PT30297041	SET SCREW M5-.8 X 4
9	PT30297009	PHLP HD SCR M6-1 X 12	42	PT30297042	FIXED BODY
10	PT30297010	SHIELD COVER (RIGHT)	43	PT30297043	HINGE BODY
11	PT30297011	CAP SCREW M8-1.25 X 20	44	PT30297044	U-BLOCK
12	PT30297012	CAP SCREW M8-1.25 X 30	45	PT30297045	HEX BOLT M6-1 X 50
13	PT30297013	CONNECTING PLATE	46	PT30297046	BALL SEAT
14	PT30297014	CAP SCREW M8-1.25 X 16	47	PT30297047	LOCK WASHER 6MM
15	PT30297015	ELECTRICAL BOX COVER	48	PT30297048	LOCK NUT M6-1
16	PT30297016	HANDLE (RIGHT)	49	PT30297049	WORKBENCH
17	PT30297017	SHIELD COVER (LEFT)	50	PT30297050	CAP SCREW M8-1.25 X 16
18	PT30297018	CAP SCREW M8-1.25 X 20	51	PT30297051	CAP SCREW M8-1.25 X 16
19	PT30297019	BENDING LEAF EXTENSION	52	PT30297052	BACKSTOP BAR
20	PT30297020	BENDING LEAF	53	PT30297053	TRAY
21	PT30297021	SCALE	54	PT30297054	RUBBER MAT
22	PT30297022	HANDLE (LEFT)	55	PT30297055	DIAL SHAFT
23	PT30297023	BUTTON HD CAP SCR M8-1.25 X 20	56	PT30297056	SLOTTED CLAMPING LEAF
24	PT30297024	CONNECTING ROD	57	PT30297057	DIAL SPRING
26	PT30297026	SLIDE	58	PT30297058	INDICATOR DIAL
27	PT30297027	STOP COLLAR	59	PT30297059	SET SCREW M6-1 X 8
28	PT30297028	CAP SCREW M8-1.25 X 20	60	PT30297060	WIDE CLAMPING LEAF
29	PT30297029	CAP SCREW M8-1.25 X 20	61	PT30297061	NARROW CLAMPING LEAF
30	PT30297030	SHAFT	62	PT30297062	CLAMPING LEAF 23"
31	PT30297031	HEX NUT M6-1	63	PT30297063	CLAMPING FINGER SET
32	PT30297032	BLOCK (LOWER)	64	PT30297064	POWER CORD 16G 3W 72" 5-15P
33	PT30297033	CAP SCREW M8-1.25 X 20	65	PT30297065	BUTTON SWITCH 29MM GRN
34	PT30297034	BLOCK (UPPER)	66	PT30297066	FLAT WASHER 8MM



Electrical Components



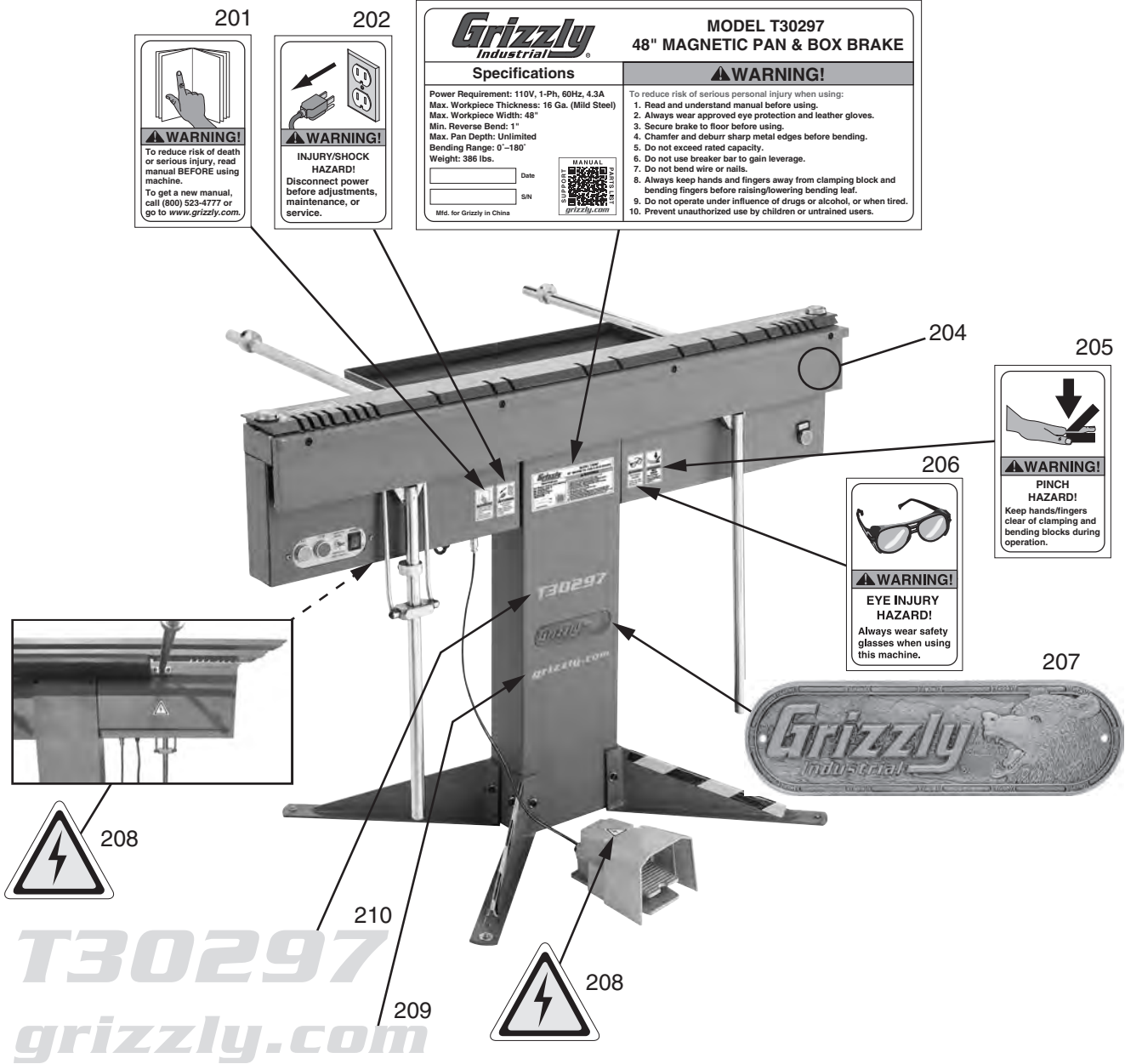
REF	PART #	DESCRIPTION
101	PT30297101	R CAPACITOR 18M 450V 1-3/8 X 3
102	PT30297102	BRIDGE RECTIFIER KBPC 5010
103	PT30297103	TERMINAL BAR 3P
104	PT30297104	TEMPERATURE SWITCH KSD301
105	PT30297105	MICRO-SWITCH HANKUK ZL-15G03
106	PT30297106	TRANSFORMER ZNJC BK100 220V
107	PT30297107	CONTACTOR SCHNEIDER LC1D12 220V
108	PT30297108	TIME DELAY FUJI ST3 24V
109	PT30297109	BUTTON SWITCH 29MM GRN
110	PT30297110	BUTTON SWITCH 29MM RED
111	PT30297111	TOGGLE SWITCH REALNESS R-1221 15A 250V
112	PT30297112	ON/OFF ROCKER SWITCH JD03-A1 30A 250V
113	PT30297113	CIRCUIT BREAKER 20A YUDING DZ47-63 C20

REF	PART #	DESCRIPTION
114	PT30297114	R CAPACITOR 1.5M 450V 1-1/2 X 1/2 X 1
115	PT30297115	CIRCUIT BOARD KKG-1602
116	PT30297116	S CAPACITOR 470M 450V 1-3/8 X 2
117	PT30297117	WIRE LOOM
118	PT30297118	ELECTRICAL PANEL MOUNTING PLATE
119	PT30297119	DIN RAIL
120	PT30297120	STRAIN RELIEF TYPE-3 M14-2
121	PT30297121	CIRCULAR CONNECTION SOCKET
122	PT30297122	CAP SCREW M8-1.25 X 10
123	PT30297123	HEX NUT M4-.7
124	PT30297124	PHLP HD SCR M4-.7 X 40
125	PT30297125	PHLP HD SCR M4-.7 X 10



Labels & Cosmetics

203



REF	PART #	DESCRIPTION
201	PT30297201	READ MANUAL LABEL
202	PT30297202	DISCONNECT POWER LABEL
203	PT30297203	MACHINE ID LABEL
204	PT30297204	TOUCH-UP PAINT, GRIZZLY GREEN
205	PT30297205	PINCH HAZARD LABEL

REF	PART #	DESCRIPTION
206	PT30297206	EYE INJURY WARNING LABEL
207	PT30297207	GRIZZLY NAMEPLATE
208	PT30297208	ELECTRICITY WARNING LABEL
209	PT30297209	GRIZZLY.COM LABEL
210	PT30297210	MODEL NUMBER LABEL

⚠ WARNING

Safety labels help reduce the risk of serious injury caused by machine hazards. If any label comes off or becomes unreadable, the owner of this machine **MUST** replace it in the original location before resuming operations. For replacements, contact (800) 523-4777 or www.grizzly.com.



WARRANTY & RETURNS

Grizzly Industrial, Inc. warrants every product it sells for a period of **1 year** to the original purchaser from the date of purchase. This warranty does not apply to defects due directly or indirectly to misuse, abuse, negligence, accidents, repairs or alterations or lack of maintenance. This is Grizzly's sole written warranty and any and all warranties that may be implied by law, including any merchantability or fitness, for any particular purpose, are hereby limited to the duration of this written warranty. We do not warrant or represent that the merchandise complies with the provisions of any law or acts unless the manufacturer so warrants. In no event shall Grizzly's liability under this warranty exceed the purchase price paid for the product and any legal actions brought against Grizzly shall be tried in the State of Washington, County of Whatcom.

We shall in no event be liable for death, injuries to persons or property or for incidental, contingent, special, or consequential damages arising from the use of our products.

The manufacturers reserve the right to change specifications at any time because they constantly strive to achieve better quality equipment. We make every effort to ensure that our products meet high quality and durability standards and we hope you never need to use this warranty.

In the event you need to use this warranty, contact us by mail or phone and give us all the details. We will then issue you a "Return Number," which must be clearly posted on the outside as well as the inside of the carton. We will not accept any item back without this number. Proof of purchase must accompany the merchandise.

Please feel free to write or call us if you have any questions about the machine or the manual.

Thank you again for your business and continued support. We hope to serve you again soon.

To take advantage of this warranty, you must register it at <https://www.grizzly.com/secureforms/warranty-card>, or you can scan the QR code below to be automatically directed to our warranty registration page. Enter all applicable information for the product.

