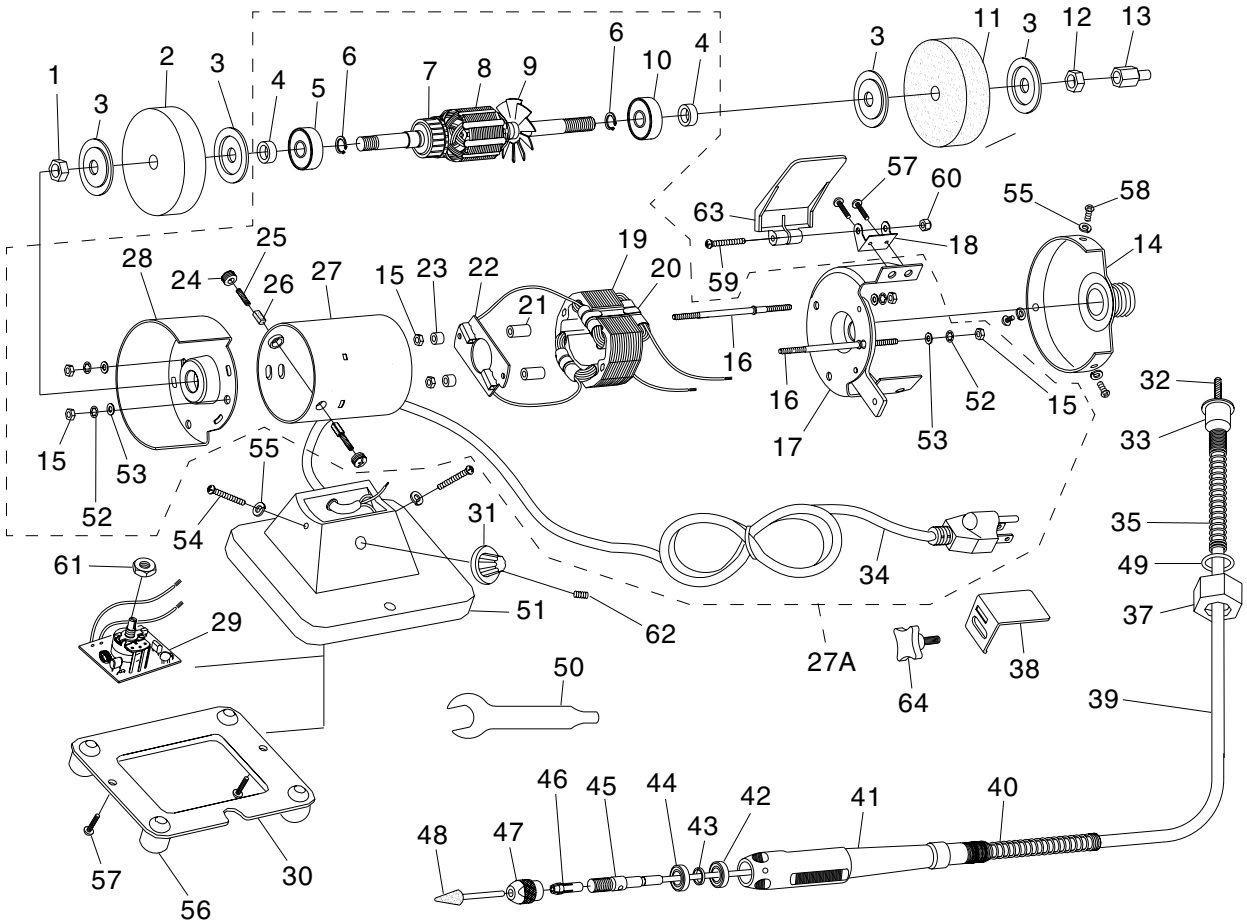


# SECTION 9: PARTS

We do our best to stock replacement parts when possible, but we cannot guarantee that all parts shown are available for purchase. Call (800) 523-4777 or visit [www.grizzly.com/parts](http://www.grizzly.com/parts) to check for availability.

## Main



REF	PART #	DESCRIPTION
1	PT32002001	HEX NUT M8-1.25 LH
2	PT32002002	BUFFING WHEEL 3 X 3/4 X 3/8 NYLON
3	PT32002003	WHEEL FLANGE
4	PT32002004	SPACER 10 X 14 X 4
5	PT32002005	BALL BEARING 6200ZZ
6	PT32002006	EXT RETAINING RING 10MM
7	PT32002007	ROTOR
8	PT32002008	ARMATURE
9	PT32002009	MOTOR FAN
10	PT32002010	BALL BEARING 6200ZZ
11	PT32002011	GRINDING WHEEL 3 X 3/4 X 3/8 100-GRIT
12	PT32002012	HEX NUT M8-1.25
13	PT32002013	STANDOFF-HEX MF M8-1.25
14	PT32002014	GRINDING WHEEL COVER
15	PT32002015	HEX NUT M4-.7
16	PT32002016	STUD-DE M4-.7 X 100, 20

REF	PART #	DESCRIPTION
17	PT32002017	MOTOR COVER (RH)
18	PT32002018	SAFETY SHIELD MOUNTING BRACKET
19	PT32002019	STATOR
20	PT32002020	STATOR CLAMP
21	PT32002021	SPACER 4.4 X 8.1 X 15
22	PT32002022	BRUSH HOLDER
23	PT32002023	SPACER 4.4 X 8.1 X 8
24	PT32002024	BRUSH CAP
25	PT32002025	COMPRESSION SPRING 0.25 X 4 X 18
26	PT32002026	CARBON BRUSH (1 PAIR)
27	PT32002027	MOTOR HOUSING
27A	PT32002027A	MOTOR ASSEMBLY
28	PT32002028	MOTOR COVER (LH)
29	PT32002029	CIRCUIT BOARD XD-1110
30	PT32002030	BASE STAND
31	PT32002031	VARIABLE-SPEED DIAL K17-1



# Main Parts List (Cont.)

REF	PART #	DESCRIPTION
32	PT32002032	ROTATING FLEXIBLE SHAFT
33	PT32002033	ROTARY SHAFT ADAPTER
34	PT32002034	POWER CORD 18G 3W 72" 5-15P
35	PT32002035	COMPRESSION SPRING 1 X 13 X 95
37	PT32002037	HEX NUT M20-2.5 PLASTIC
38	PT32002038	TOOL REST
39	PT32002039	ROTARY SHAFT HOSE
40	PT32002040	COMPRESSION SPRING 1 X 13 X 95
41	PT32002041	ROTARY SHAFT BODY
42	PT32002042	BALL BEARING 686ZZ
43	PT32002043	SPINDLE SPACER 6ID
44	PT32002044	BALL BEARING 686ZZ
45	PT32002045	SPINDLE
46	PT32002046	COLLET
47	PT32002047	COLLET NUT
48	PT32002048	GRINDING BIT 1/8" 100 GRIT

REF	PART #	DESCRIPTION
49	PT32002049	O-RING 14 X 1.5
50	PT32002050	WRENCH 9MM OPEN-END
51	PT32002051	BASE
52	PT32002052	INT TOOTH WASHER 4MM
53	PT32002053	FLAT WASHER 4MM
54	PT32002054	PHLP HD SCR M5-.8 X 20
55	PT32002055	LOCK WASHER 5MM
56	PT32002056	RUBBER FOOT
57	PT32002057	PHLP HD SCR M4-.7 X 6
58	PT32002058	PHLP HD SCR M5-.8 X 6
59	PT32002059	PHLP HD SCR M4-.7 X 30
60	PT32002060	LOCK NUT M4-.7
61	PT32002061	SPEED DIAL HEX NUT M9
62	PT32002062	SET SCREW M4-.7 X 5 SLOTTED
63	PT32002063	SAFETY SHIELD
64	PT32002064	KNOB BOLT M6-1 X 13, 4-LOBE, D18

## Labels & Cosmetics

101

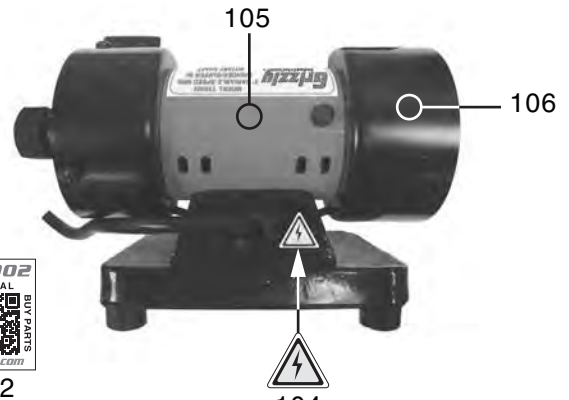


grizzly.com

103



102



105

106

104

REF	PART #	DESCRIPTION
101	PT32002101	MACHINE ID LABEL
102	PT32002102	QR CODE LABEL
103	PT32002103	GRIZZLY.COM LABEL

REF	PART #	DESCRIPTION
104	PT32002104	ELECTRICITY LABEL
105	PT32002105	TOUCH-UP PAINT, GRIZZLY GREEN
106	PT32002106	TOUCH-UP PAINT, GRIZZLY BLACK

## ⚠ WARNING

Safety labels help reduce the risk of serious injury caused by machine hazards. If any label comes off or becomes unreadable, the owner of this machine **MUST** replace it in the original location before resuming operations. For replacements, contact (800) 523-4777 or [www.grizzly.com](http://www.grizzly.com).

