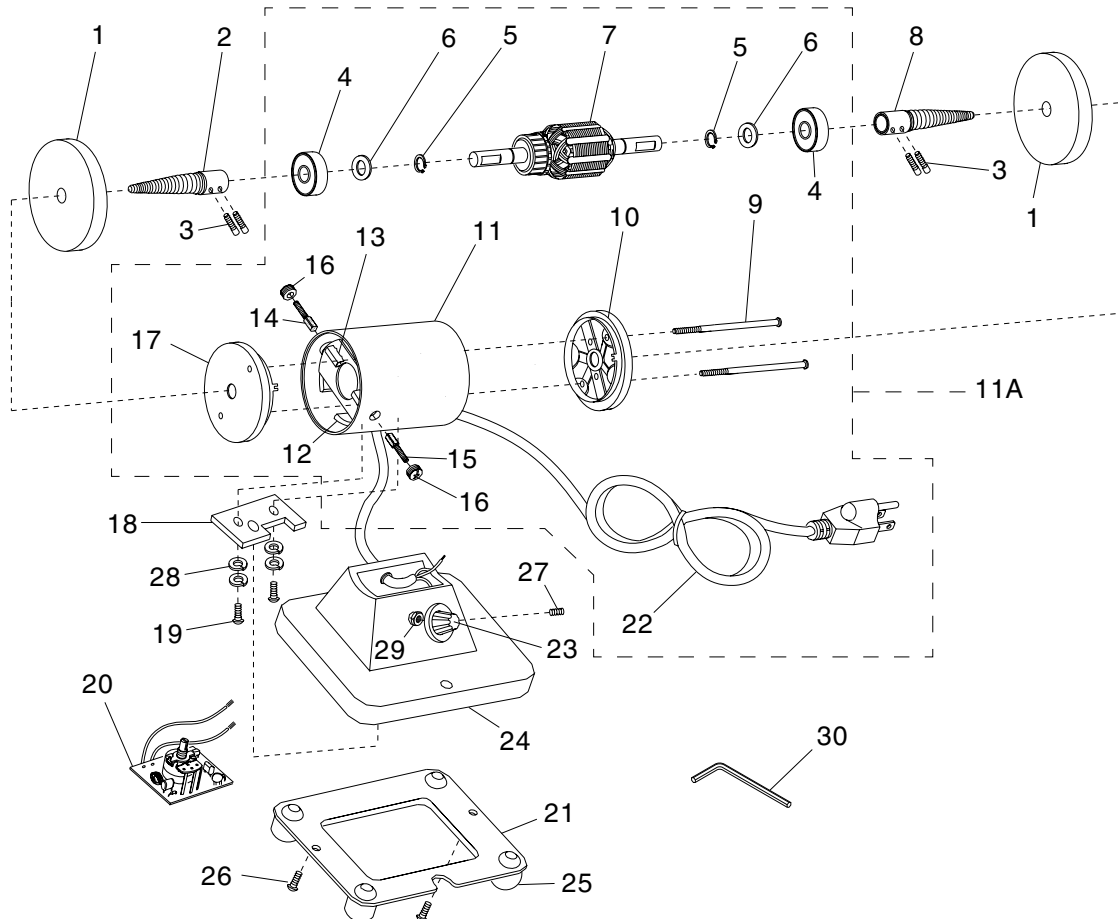


SECTION 9: PARTS

We do our best to stock replacement parts when possible, but we cannot guarantee that all parts shown are available for purchase. Call (800) 523-4777 or visit www.grizzly.com/parts to check for availability.

Main



| REF | PART # | DESCRIPTION |
|-----|-------------|-------------------------------------|
| 1 | PT32003001 | BUFFING WHEEL 4-1/2" X 1/2" X 5/16" |
| 2 | PT32003002 | TAPERED SPINDLE SLEEVE (LH) |
| 3 | PT32003003 | SET SCREW M4-.7 X 6 |
| 4 | PT32003004 | BALL BEARING 608ZZ |
| 5 | PT32003005 | EXT RETAINING RING 7MM |
| 6 | PT32003006 | WAVY WASHER 12MM |
| 7 | PT32003007 | ROTOR |
| 8 | PT32003008 | TAPERED SPINDLE SLEEVE (RH) |
| 9 | PT32003009 | SHOULDER SCREW M4-.7 X 38, 4 X 68 |
| 10 | PT32003010 | MOTOR COVER (RH) |
| 11A | PT32003011A | MOTOR ASSEMBLY |
| 11 | PT32003011 | MOTOR HOUSING |
| 12 | PT32003012 | MAGNET |
| 13 | PT32003013 | BRUSH HOLDER |
| 14 | PT32003014 | MOTOR BRUSH (1 PAIR) |
| 15 | PT32003015 | COMPRESSION SPRING 0.4 X 4 X 22 |

| REF | PART # | DESCRIPTION |
|-----|------------|-----------------------------|
| 16 | PT32003016 | BRUSH CAP |
| 17 | PT32003017 | MOTOR COVER (LH) |
| 18 | PT32003018 | JUNCTION PLATE |
| 19 | PT32003019 | PHLP HD SCR M5-.8 X 12 |
| 20 | PT32003020 | CIRCUIT BOARD XD-1110 |
| 21 | PT32003021 | BASE STAND |
| 22 | PT32003022 | POWER CORD 18G 3W 72" 5-15P |
| 23 | PT32003023 | VARIABLE-SPEED DIAL |
| 24 | PT32003024 | BASE |
| 25 | PT32003025 | RUBBER FOOT |
| 26 | PT32003026 | PHLP HD SCR M4-.7 X 6 |
| 27 | PT32003027 | SET SCREW M4-.7 X 5 SLOTTED |
| 28 | PT32003028 | LOCK WASHER 5MM |
| 29 | PT32003029 | SPEED DIAL HEX NUT M9 |
| 30 | PT32003030 | HEX WRENCH 2MM |

