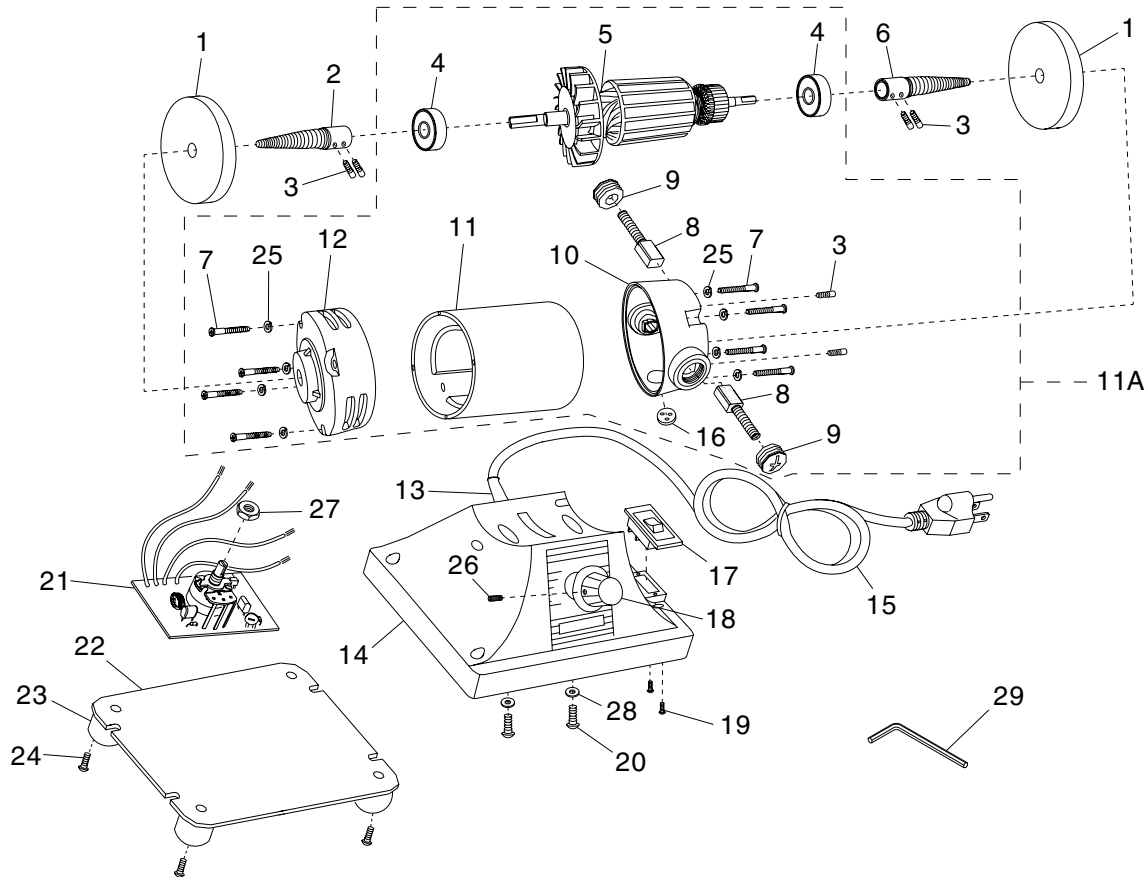


SECTION 9: PARTS

We do our best to stock replacement parts when possible, but we cannot guarantee that all parts shown are available for purchase. Call (800) 523-4777 or visit www.grizzly.com/parts to check for availability.

Main



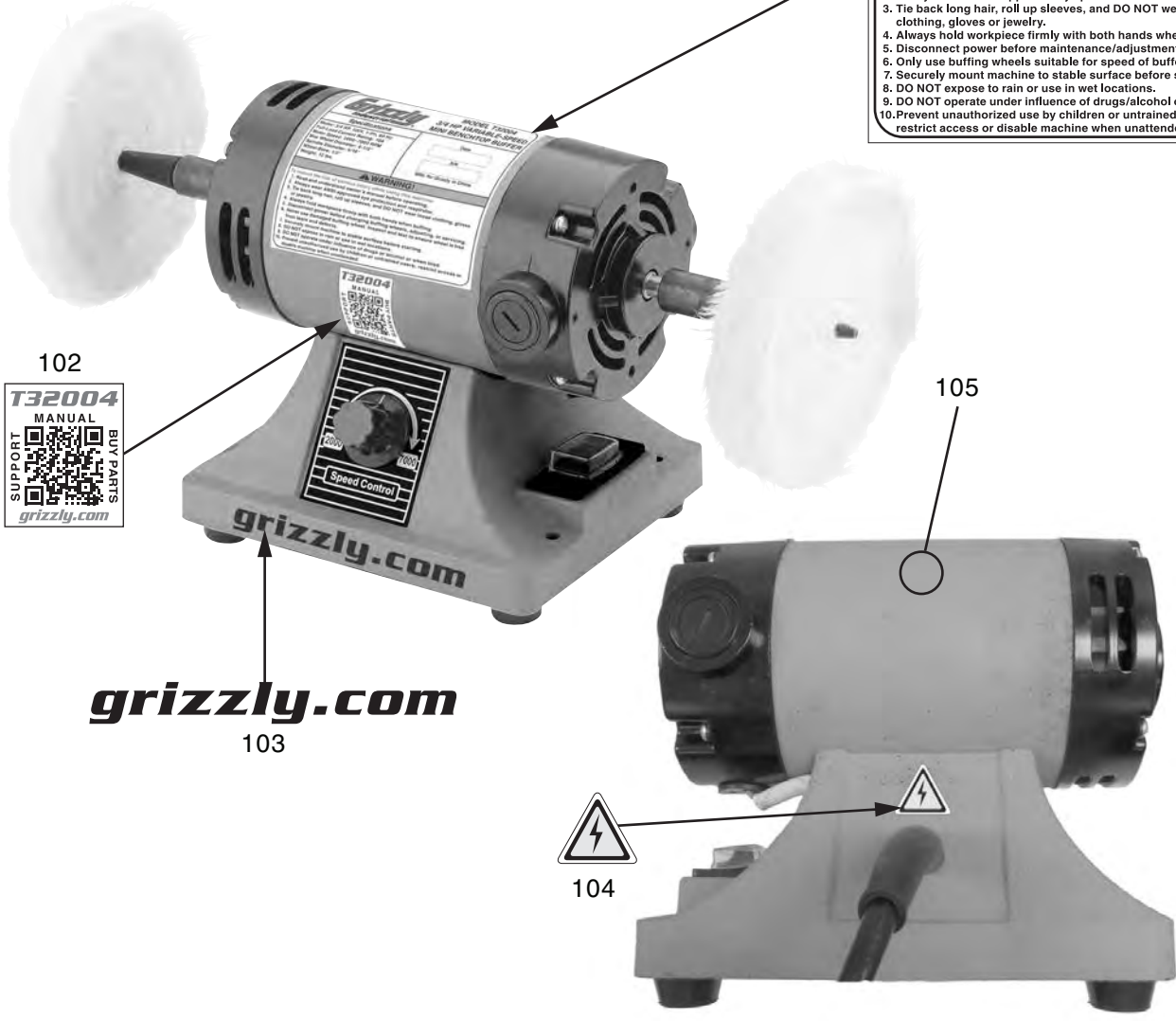
REF PART #	DESCRIPTION	REF PART #	DESCRIPTION		
1	PT32004001	BUFFING WHEEL 4-1/2" X 1/2" X 5/16"	15	PT32004015	POWER CORD 18G 3W 72" 5-15P
2	PT32004002	TAPERED SPINDLE SLEEVE (LH)	16	PT32004016	GROMMET 20 X 6 3-HOLE
3	PT32004003	SET SCREW M4-.7 X 8	17	PT32004017	ROCKER SWITCH 10A 250V KASO XW-601
4	PT32004004	BALL BEARING 608ZZ	18	PT32004018	VARIABLE-SPEED DIAL
5	PT32004005	ROTOR	19	PT32004019	TAP SCREW M3.5 X 12
6	PT32004006	TAPERED SPINDLE SLEEVE (RH)	20	PT32004020	CAP SCREW M8-1.25 X 15
7	PT32004007	PHLP HD SCR M4-.7 X 30	21	PT32004021	CIRCUIT BOARD XD-DC1110-2
8	PT32004008	MOTOR BRUSH (1 PAIR)	22	PT32004022	BASE BOTTOM
9	PT32004009	BRUSH CAP	23	PT32004023	RUBBER FOOT
10	PT32004010	MOTOR COVER (RH)	24	PT32004024	PHLP HD SCR M4-.7 X 12
11	PT32004011	MOTOR STATOR	25	PT32004025	LOCK WASHER 4MM
11A	PT32004011A	MOTOR ASSEMBLY	26	PT32004026	SET SCREW M4-.7 X 5 SLOTTED
12	PT32004012	MOTOR COVER (LH)	27	PT32004027	SPEED DIAL HEX NUT M9
13	PT32004013	POWER CORD SHEATH	28	PT32004028	FLAT WASHER 8MM
14	PT32004014	BASE	29	PT32004029	HEX WRENCH 2MM



Labels & Cosmetics

101

Grizzly Industrial		MODEL T32004	
		3/4 HP VARIABLE-SPEED MINI BENCHTOP BUFFER	
Specifications		Date <input type="text"/>	
Motor: 3/4 HP, 120V, 1-Ph, 60 Hz		S/N <input type="text"/>	
Full-Load Current Rating: 10A		Mfd. for Grizzly in China	
Motor Speed: 2000-7000 RPM			
Maximum Wheel Diameter: 6-1/2"			
Maximum Wheel Bore Size: 1/2"			
Spindle Diameter: 5/16"			
Weight: 12 lbs.			
⚠ WARNING!			
To reduce the risk of serious injury while using this machine:			
1. Read and understand owner's manual before operating.			
2. Always wear ANSI-approved eye protection and respirator.			
3. Tie back long hair, roll up sleeves, and DO NOT wear loose clothing, gloves or jewelry.			
4. Always hold workpiece firmly with both hands when buffing.			
5. Disconnect power before maintenance/adjustment.			
6. Only use buffing wheels suitable for speed of buffer.			
7. Securely mount machine to stable surface before starting.			
8. DO NOT expose to rain or use in wet locations.			
9. DO NOT operate under influence of drugs/alcohol or when tired.			
10. Prevent unauthorized use by children or untrained users; restrict access or disable machine when unattended.			



102

T32004
MANUAL
BUY PARTS
SUPPORT
grizzly.com

grizzly.com

103

104

105

REF	PART #	DESCRIPTION
101	PT32004101	MACHINE ID LABEL
102	PT32004102	QR CODE LABEL
103	PT32004103	GRIZZLY.COM LABEL

REF	PART #	DESCRIPTION
104	PT32004104	ELECTRICITY LABEL
105	PT32004105	TOUCH-UP PAINT, GRIZZLY GREEN

⚠ WARNING

Safety labels help reduce the risk of serious injury caused by machine hazards. If any label comes off or becomes unreadable, the owner of this machine **MUST** replace it in the original location before resuming operations. For replacements, contact (800) 523-4777 or www.grizzly.com.

BUY PARTS ONLINE AT GRIZZLY.COM!
Scan QR code to visit our Parts Store.

