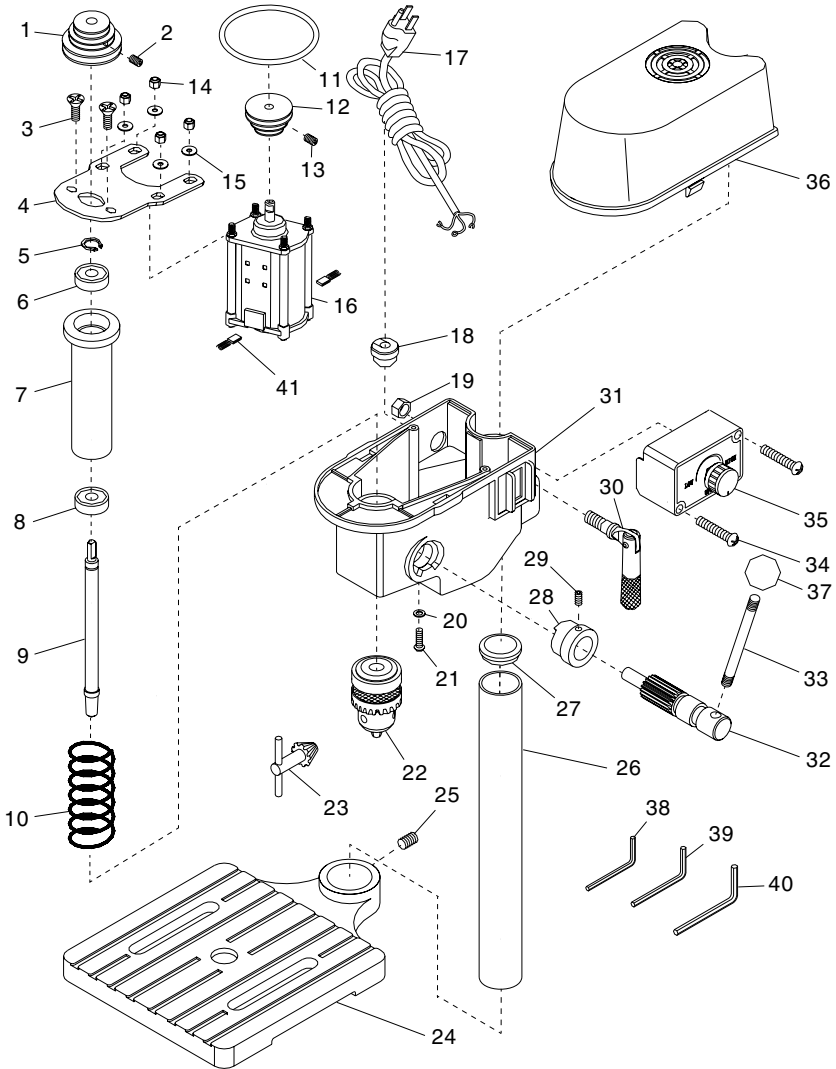


SECTION 10: PARTS

Main



REF PART #	DESCRIPTION
1	PT32006001 SPINDLE PULLEY
2	PT32006002 SET SCREW M4-.7 X 8
3	PT32006003 FLAT HD SCR M4-.7 X 8
4	PT32006004 MOTOR PULLEY COUPLER
5	PT32006005 EXT RETAINING RING 11MM
6	PT32006006 BALL BEARING 609Z

REF PART #	DESCRIPTION
7	PT32006007 QUILL
8	PT32006008 BALL BEARING 60002-2RS
9	PT32006009 SPINDLE
10	PT32006010 COMPRESSION SPRING 2 X 35 X 42
11	PT32006011 DRIVE BELT 5/32" X 9-5/8"
12	PT32006012 MOTOR PULLEY

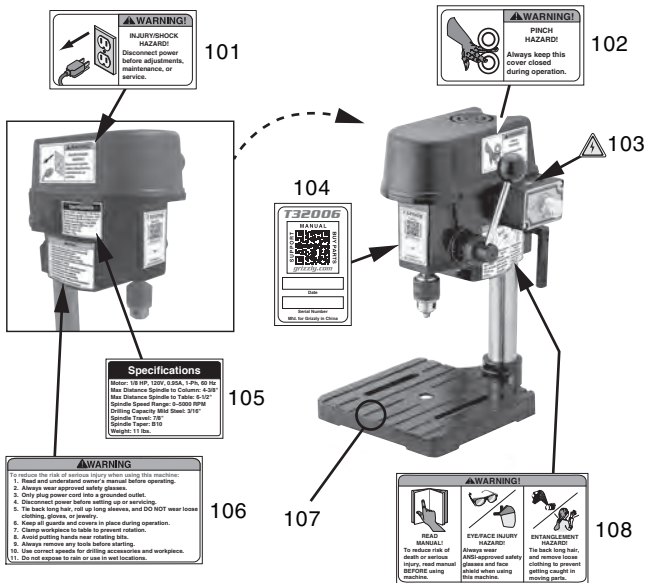


Main Parts List (Cont.)

REF PART #	DESCRIPTION
13	PT32006013 SET SCREW M4-.7 X 8
14	PT32006014 LOCK NUT M4-.7
15	PT32006015 FLAT WASHER 4MM
16	PT32006016 MOTOR 1/8HP 120V 1-PH
17	PT32006017 POWER CORD 18G 3W 72" 5-15P
18	PT32006018 STRAIN RELIEF TYPE-1 5/8
19	PT32006019 HEX NUT M8-1.25
20	PT32006020 FLAT WASHER 4MM
21	PT32006021 PHLP HD SCR M4-.7 X 18
22	PT32006022 DRILL CHUCK B10 X 1/32-1/4"
23	PT32006023 DRILL CHUCK KEY 6MM STD 11T SD-9MM
24	PT32006024 TABLE
25	PT32006025 SET SCREW M8-1.25 X 8
26	PT32006026 COLUMN
27	PT32006027 COLUMN COVER

REF PART #	DESCRIPTION
28	PT32006028 DOWNFEED LOCK RING
29	PT32006029 SET SCREW M5-.8 X 10
30	PT32006030 FOLDING HANDLE 110L, M8-1.25 X 15
31	PT32006031 HEADSTOCK
32	PT32006032 DOWNFEED PINION GEAR
33	PT32006033 LEVER SHAFT-DE M8-1.25 X 105, 10
34	PT32006034 PHLP HD SCR M4-.7 X 40
35	PT32006035 SWITCH BOX ASSEMBLY
36	PT32006036 HEADSTOCK COVER
37	PT32006037 KNOB M8-1.25, D30, BALL
38	PT32006038 HEX WRENCH 2MM
39	PT32006039 HEX WRENCH 2.5MM
40	PT32006040 HEX WRENCH 4MM
41	PT32006041 MOTOR BRUSH

Labels & Cosmetics



REF PART #	DESCRIPTION
101	PT32006101 INJURY/SHOCK HAZARD LABEL
102	PT32006102 PINCH HAZARD LABEL
103	PT32006103 ELECTRICITY LABEL
104	PT32006104 MACHINE ID LABEL

REF PART #	DESCRIPTION
105	PT32006105 SPECIFICATIONS LABEL
106	PT32006106 MACHINE WARNINGS LABEL
107	PT32006107 TOUCH-UP PAINT, GRIZZLY GREEN
108	PT32006108 MANUAL/PE/ENTANGLEMENT LABEL

WARNING

Safety labels help reduce the risk of serious injury caused by machine hazards. If any label comes off or becomes unreadable, the owner of this machine **MUST** replace it in the original location before resuming operations. For replacements, contact (800) 523-4777 or www.grizzly.com.

