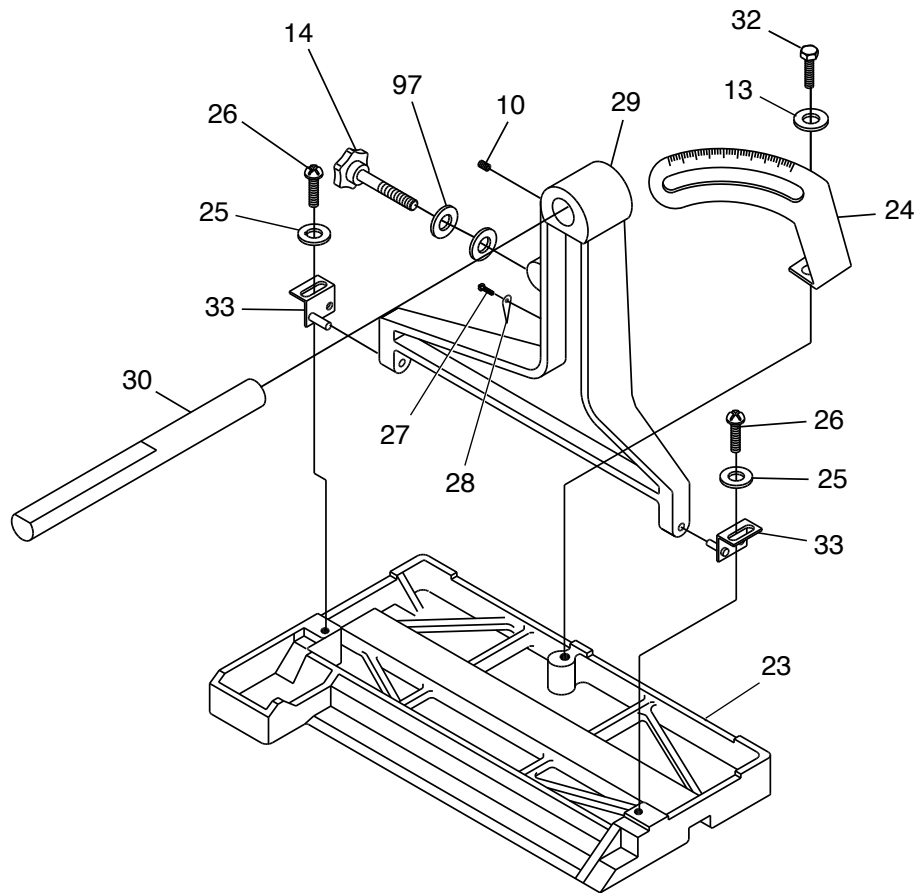




MODEL T34309 WORK TABLE ASSEMBLY FOR G1014Z/ZX PARTS LIST

For questions or help with this product contact Tech Support at (570) 546-9663 or techsupport@grizzly.com



REF PART #	DESCRIPTION
10	P1014ZX010 SET SCREW 5/16-18 X 3/8
13	P1014ZX013 FLAT WASHER 5/16
14	P1014ZX014 KNOB 5/16-18
23	P1014ZX023 TABLE
24	P1014ZX024 TRUNNION
25	P1014ZX025 FLAT WASHER 1/4
26	P1014ZX026 PHLP HD SCR 1/4-20 X 1/2

REF PART #	DESCRIPTION
27	P1014ZX027 PHLP HD SCR 10-24 X 3/8
28	P1014ZX028 MITER GAUGE POINTER
29	P1014ZX029 TABLE SUPPORT BRACKET
30	P1014ZX030 SUPPORT BAR
32	P1014ZX032 HEX BOLT 5/16-18 X 1/2
33	P1014ZX033 TABLE MOUNT L & R (2 PC SET)
97	P1014ZX097 FENDER WASHER 5/16 X 21 X 2

COPYRIGHT © MARCH, 2026 BY GRIZZLY INDUSTRIAL, INC.
NO PORTION OF THIS MANUAL MAY BE REPRODUCED IN ANY SHAPE
OR FORM WITHOUT THE WRITTEN APPROVAL OF GRIZZLY INDUSTRIAL, INC.
(FOR MODELS MFD. SINCE 04/24) #LS23955 PRINTED IN TAIWAN

V1.03.26

Keep for Future Reference