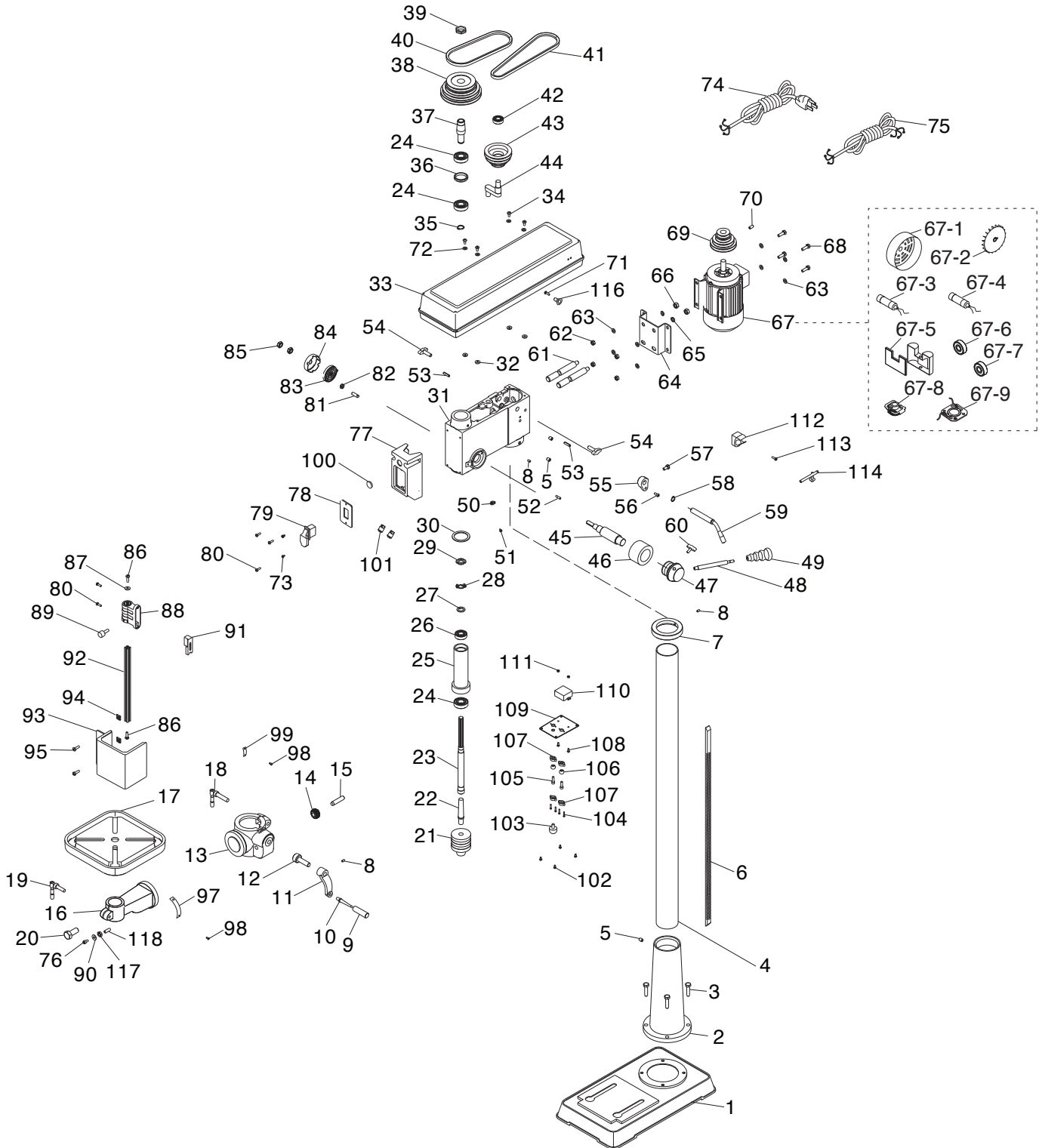


T34609 Main



T34609 Main Parts List

REF PART #	DESCRIPTION
1	PT34609001 BASE
2	PT34609002 COLUMN SUPPORT
3	PT34609003 HEX BOLT M10-1.5 X 35
4	PT34609004 COLUMN
5	PT34609005 SET SCREW M10-1.5 X 12
6	PT34609006 RACK
7	PT34609007 COLLAR
8	PT34609008 SET SCREW M6-1 X 10
9	PT34609009 HANDLE GRIP
10	PT34609010 HANDLE SHAFT
11	PT34609011 CRANK ARM
12	PT34609012 WORM SHAFT
13	PT34609013 TABLE BRACKET
14	PT34609014 HELICAL GEAR 14T
15	PT34609015 GEAR SHAFT
16	PT34609016 TABLE MOUNTING ARM
17	PT34609017 TABLE
18	PT34609018 FOLDING HANDLE M12-1.75 X 35
19	PT34609019 FOLDING HANDLE M10-1.5 X 28
20	PT34609020 HEX BOLT M16-2 X 35
21	PT34609021 DRILL CHUCK JT3 X 5/8"
22	PT34609022 DRILL CHUCK ARBOR JT3-MT#2
23	PT34609023 SPINDLE MT#2
24	PT34609024 BALL BEARING 6204-2RS
25	PT34609025 QUILL
26	PT34609026 BALL BEARING 6203-2RS
27	PT34609027 FLAT WASHER 17.5 X 27 X 2MM
28	PT34609028 LOCK WASHER 17.5MM
29	PT34609029 LOCK NUT M17-1
30	PT34609030 SPACER 46.3 X 60 X 4, RUBBER
31	PT34609031 HEADSTOCK
32	PT34609032 FOAM PAD
33	PT34609033 BELT COVER
34	PT34609034 SCREW W/WASHER M6-1 X 12
35	PT34609035 EXT. RETAINING RING 20MM
36	PT34609036 SPACER 38 X 46 X 7.5MM
37	PT34609037 SPINDLE SLEEVE
38	PT34609038 SPINDLE PULLEY
39	PT34609039 HEX NUT M24-1.5, LH
40	PT34609040 V-BELT M24
41	PT34609041 V-BELT M26
42	PT34609042 BALL BEARING 6202-2RS
43	PT34609043 IDLER PULLEY
44	PT34609044 CRANK SHAFT
45	PT34609045 PINION GEAR SHAFT
46	PT34609046 COLLAR DEPTH STOP W/SCALE
47	PT34609047 HUB
48	PT34609048 STUE-UDE M10-1.5 X 13, M8-1.25 X 15, 146
49	PT34609049 KNOB, TAPERED
50	PT34609050 POINTER
51	PT34609051 PHLP HD SCR M4-.7 X 8
52	PT34609052 STOP SCREW M6-1 X 8
53	PT34609053 ROLL PIN 6 X 26

REF PART #	DESCRIPTION
54	PT34609054 LOCK KNOB M10-1.5 X 33
55	PT34609055 BELT TENSION BLOCK
56	PT34609056 CAP SCREW M6-1 X 12
57	PT34609057 HEX BOLT M8-1.25 X 16
58	PT34609058 EXT. RETAINING RING 15MM
59	PT34609059 BELT TENSION LEVER
60	PT34609060 LOCK KNOB M8-1.25 X 17
61	PT34609061 SLIDE BAR
62	PT34609062 HEX NUT M8-1.25
63	PT34609063 FLAT WASHER 8MM
64	PT34609064 MOTOR MOUNT
65	PT34609065 LOCK WASHER 12MM
66	PT34609066 HEX NUT M12-1.75
67	PT34609067 MOTOR 3/4 HP 120V 1PH
67-1	PT34609067-1 MOTOR FAN COVER
67-2	PT34609067-2 MOTOR FAN
67-3	PT34609067-3 R CAPACITOR 35M 450V 1-5/8 X 3-1/8
67-4	PT34609067-4 S CAPACITOR 200M 250V 1-5/8 X 3-1/8
67-5	PT34609067-5 JUNCTION BOX
67-6	PT34609067-6 BALL BEARING 6003-2RS, FRONT
67-7	PT34609067-7 BALL BEARING 6202-2RS, REAR
67-8	PT34609067-8 CENTRIFUGAL SWITCH 16MM X 1720
67-9	PT34609067-9 CONTACT PLATE 36 X 50MM
68	PT34609068 HEX BOLT M8-1.25 X 25
69	PT34609069 MOTOR PULLEY
70	PT34609070 SET SCREW M8-1.25 X 16
71	PT34609071 PHLP HD SCR M5-.8 X 20
72	PT34609072 FLAT WASHER 6MM
73	PT34609073 TAP SCREW M4.2 X 9.5
74	PT34609074 POWER CORD 18G 3W 72" 5-15P
75	PT34609075 MOTOR CORD 18G 3W 43"
76	PT34609076 CAP SCREW M5-.8 X 12
77	PT34609077 SWITCH BOX
78	PT34609078 SWITCH PLATE
79	PT34609079 ON/OFF SWITCH DKLD AN17
80	PT34609080 PHLP HD SCR M5-.8 X 16
81	PT34609081 ANTI-ROTATION SCREW M10-1.5 X 28
82	PT34609082 HEX NUT M10-1.5
83	PT34609083 FLAT COIL SPRING
84	PT34609084 RETURN SPRING COVER
85	PT34609085 HEX NUT M12-1.5 THIN
86	PT34609086 PHLP HD SCR M6-1 X 8
87	PT34609087 FENDER WASHER 6MM
88	PT34609088 MICRO SWITCH BRACKET
89	PT34609089 KNOB BOLT M6-1 X 20
90	PT34609090 FENDER WASHER 6MM
91	PT34609091 MICRO SWITCH COVER
92	PT34609092 CHIP GUARD RAIL
93	PT34609093 CHIP GUARD
94	PT34609094 T-SLOT NUT M5-.8
95	PT34609095 PHLP HD SCR M5-.8 X 8
97	PT34609097 TABLE TILT SCALE
98	PT34609098 RIVET 4 X 6 NAMEPLATE



T34609 Main Parts List (Cont.)

REF PART #	DESCRIPTION
99	PT34609099 POINTER
100	PT34609100 CAP
101	PT34609101 SELF LOCK BUTTON YONGLI YL165S-H11GZ
102	PT34609102 PHLP HD SCR M4-.7 X 12
103	PT34609103 LED
104	PT34609104 PHLP HD SCR M3-.5 X 16
105	PT34609105 LASER DIODE
106	PT34609106 LASER DIODE LOCK RING
107	PT34609107 LASER DIODE HOLDER
108	PT34609108 PHLP HD SCR M4-.7 X 12


REF PART #	DESCRIPTION
109	PT34609109 LASER DIODE BRACKET
110	PT34609110 TRANSFORMER DONGKE B26-7B
111	PT34609111 HEX NUT M4-.7
112	PT34609112 DRILL CHUCK KEY HOLDER
113	PT34609113 PHLP HD SCR M4-.7 X 12
114	PT34609114 DRILL CHUCK KEY 5/16" STD 11T SD-5/8"
116	PT34609116 KNOB M5-.8
117	PT34609117 HEX NUT M10-1.5, THIN
118	PT34609118 TAPER PIN 8 X 25MM

BUY PARTS ONLINE AT GRIZZLY.COM!
Scan QR code to visit our Parts Store.





Labels & Cosmetics

201



⚠️ WARNING!
ENTANGLEMENT HAZARD!
Always keep this cover installed during operation.



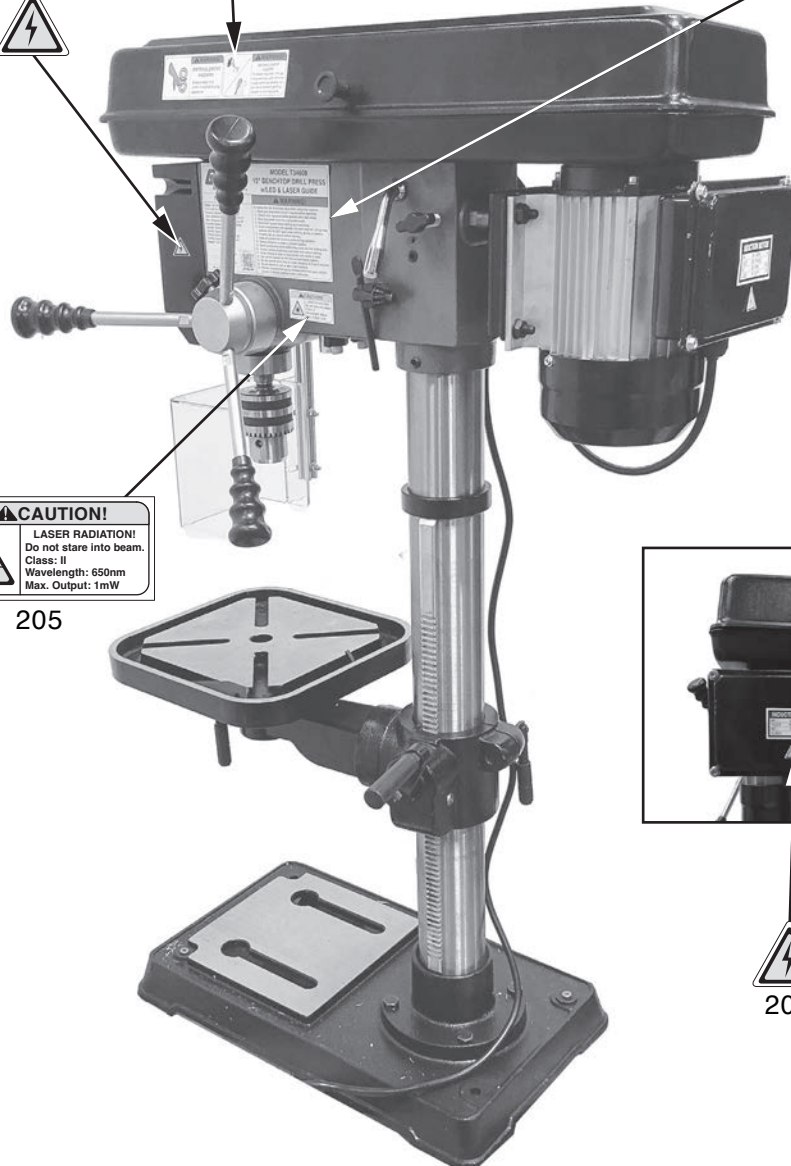
⚠️ WARNING!
ENTANGLEMENT HAZARD!
Tie back long hair, roll up long sleeves, and remove loose clothing, jewelry, or gloves to prevent getting caught in moving parts.

204



205

⚠️ CAUTION!
LASER RADIATION!
Do not stare into beam.
Class: II
Wavelength: 650nm
Max. Output: 1mW



MODEL T34608
15" BENCHTOP DRILL PRESS
w/LED & LASER GUIDE

Specifications	⚠️ WARNING!
Motor: 3/4 HP 120V, 1-Phase, 60 Hz Full-Load Current Rating: 3.5A Distance Spindle to Column: 7-3/8" Max. Distance Spindle to Table: 26-1/2" Max. Distance Spindle to Base: 46-3/8" Spindle Speeds: 12 (210-2100 RPM) Spindle Travel: 3-1/2" Spindle Taper: MT2 Drilling Capacity (Mild Steel): 3/8" Drilling Capacity (Cast Iron): 3/8" Weight: 122 lbs.	To reduce risk of serious injury when using this machine: 1. Read and understand owner's manual before operating. 2. Always wear approved safety glasses and a face shield. 3. Only plug power cord into a grounded outlet. 4. Disconnect power before setting up or servicing. 5. Avoid entanglement with spindle—the back long hair, roll up long sleeves, and DO NOT wear loose clothing, gloves, or jewelry. 6. Prepare set up machine before starting. 7. Keep all guards and covers in place during operation. 8. Clamp workpiece to table to prevent rotation. 9. Avoid positioning hands when they could slip into rotating bits. 10. Always remove chuck keys and other tools before starting. 11. Never attempt to start or stop spindle with hands or tools. 12. Use correct speeds for drill bits and workpiece material. 13. Do not operate when tired or under influence of drugs or alcohol. 14. Do not operate in rain or use in wet locations. 15. Prevent unauthorized use by children/untrained users; restrict access or disable machine when unattended.

MODEL T34609
15" FLOOR DRILL PRESS
w/LED & LASER GUIDE

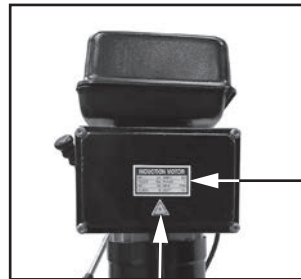
Specifications	⚠️ WARNING!
Motor: 3/4 HP 120V, 1-Phase, 60 Hz Full-Load Current Rating: 3.5A Distance Spindle to Column: 7-3/8" Max. Distance Spindle to Table: 26-1/2" Max. Distance Spindle to Base: 46-3/8" Spindle Speeds: 12 (210-2100 RPM) Spindle Travel: 3-1/2" Spindle Taper: MT2 Drilling Capacity (Mild Steel): 3/8" Drilling Capacity (Cast Iron): 3/8" Weight: 122 lbs.	To reduce risk of serious injury when using this machine: 1. Read and understand owner's manual before operating. 2. Always wear approved safety glasses and a face shield. 3. Only plug power cord into a grounded outlet. 4. Disconnect power before setting up or servicing. 5. Avoid entanglement with spindle—the back long hair, roll up long sleeves, and DO NOT wear loose clothing, gloves, or jewelry. 6. Prepare set up machine before starting. 7. Keep all guards and covers in place during operation. 8. Clamp workpiece to table to prevent rotation. 9. Avoid positioning hands when they could slip into rotating bits. 10. Always remove chuck keys and other tools before starting. 11. Never attempt to start or stop spindle with hands or tools. 12. Use correct speeds for drill bits and workpiece material. 13. Do not operate when tired or under influence of drugs or alcohol. 14. Do not operate in rain or use in wet locations. 15. Prevent unauthorized use by children/untrained users; restrict access or disable machine when unattended.

MODEL T34610
17" FLOOR DRILL PRESS
w/LED & LASER GUIDE

Specifications	⚠️ WARNING!
Motor: 1 HP 120V, 1-Phase, 60 Hz Full-Load Current Rating: 5.5A Distance From Spindle to Column: 8-1/2" Max. Distance Spindle to Table: 28-3/8" Max. Distance Spindle to Base: 48-3/8" Spindle Speeds: 18 (210-2000 RPM) Spindle Travel: 4-3/4" Spindle Taper: MT2 Drilling Capacity (Mild Steel): 3/8" Drilling Capacity (Cast Iron): 3/8" Weight: 156 lbs.	To reduce risk of serious injury when using this machine: 1. Read and understand owner's manual before operating. 2. Always wear approved safety glasses and a face shield. 3. Only plug power cord into a grounded outlet. 4. Disconnect power before setting up or servicing. 5. Avoid entanglement with spindle—the back long hair, roll up long sleeves, and DO NOT wear loose clothing, gloves, or jewelry. 6. Prepare set up machine before starting. 7. Keep all guards and covers in place during operation. 8. Clamp workpiece to table to prevent rotation. 9. Avoid positioning hands when they could slip into rotating bits. 10. Always remove chuck keys and other tools before starting. 11. Never attempt to start or stop spindle with hands or tools. 12. Use correct speeds for drill bits and workpiece material. 13. Do not operate when tired or under influence of drugs or alcohol. 14. Do not operate in rain or use in wet locations. 15. Prevent unauthorized use by children/untrained users; restrict access or disable machine when unattended.

MODEL T34611
20" FLOOR DRILL PRESS
w/LED & LASER GUIDE

Specifications	⚠️ WARNING!
Motor: 2 HP 120V, 1-Phase, 60 Hz Full-Load Current Rating: 7.5A Distance From Spindle to Column: 10-1/8" Max. Distance Spindle to Table: 30-3/8" Max. Distance Spindle to Base: 48-7/8" Spindle Speeds: 12 (150-2000 RPM) Spindle Travel: 4-3/4" Spindle Taper: MT2 Drilling Capacity (Mild Steel): 1-1/8" Drilling Capacity (Cast Iron): 1-1/8" Weight: 240 lbs.	To reduce risk of serious injury when using this machine: 1. Read and understand owner's manual before operating. 2. Always wear approved safety glasses and a face shield. 3. Only plug power cord into a grounded outlet. 4. Disconnect power before setting up or servicing. 5. Avoid entanglement with spindle—the back long hair, roll up long sleeves, and DO NOT wear loose clothing, gloves, or jewelry. 6. Prepare set up machine before starting. 7. Keep all guards and covers in place during operation. 8. Clamp workpiece to table to prevent rotation. 9. Avoid positioning hands when they could slip into rotating bits. 10. Always remove chuck keys and other tools before starting. 11. Never attempt to start or stop spindle with hands or tools. 12. Use correct speeds for drill bits and workpiece material. 13. Do not operate when tired or under influence of drugs or alcohol. 14. Do not operate in rain or use in wet locations. 15. Prevent unauthorized use by children/untrained users; restrict access or disable machine when unattended.



203

INDUCTION MOTOR			
HP	3/4	AMPS	5.3
VOLTS	120	PHASE	1
HZ	60	RPM	1720
CLASS	B	DUTY	S1

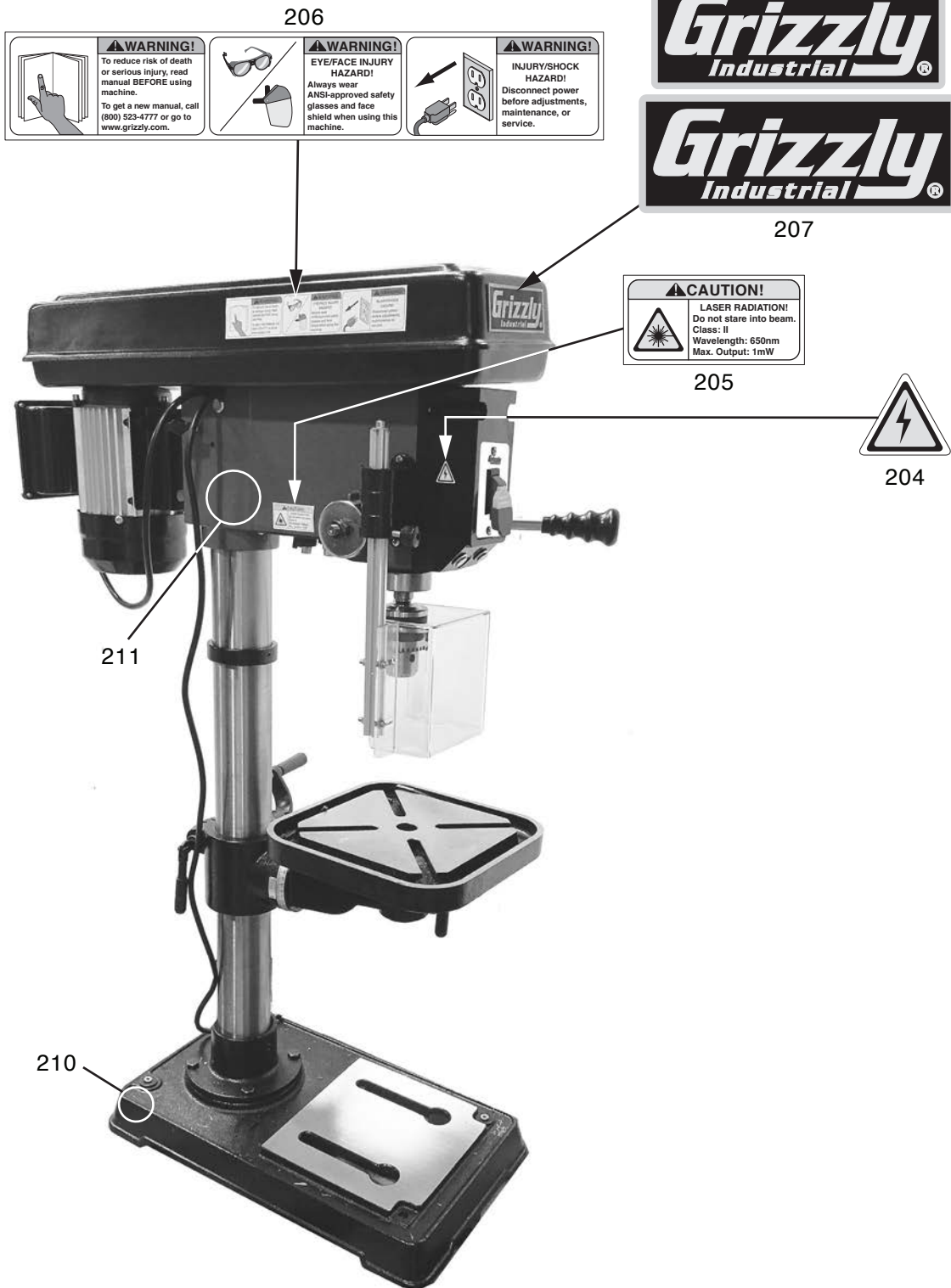
INDUCTION MOTOR			
HP	1-1/2	AMPS	9.9
VOLTS	120	PHASE	1
HZ	60	RPM	1720
CLASS	B	DUTY	S1

INDUCTION MOTOR			
HP	2	AMPS	12.9
VOLTS	120	PHASE	1
HZ	60	RPM	1720
CLASS	B	DUTY	S1

204




Labels & Cosmetics (Cont.)



Labels & Cosmetics Parts List

REF	PART #	DESCRIPTION
201	PT34608201	ENTANGLEMENT WARNING LABEL
202	PT34608202	MACHINE ID LABEL (T34608)
202	PT34609202	MACHINE ID LABEL (T34609)
202	PT34610202	MACHINE ID LABEL (T34610)
202	PT34611202	MACHINE ID LABEL (T34611)
203	PT34608203	MOTOR LABEL (T34608/T34609)
203	PT34610203	MOTOR LABEL (T34610)
203	PT34611203	MOTOR LABEL (T34611)

REF	PART #	DESCRIPTION
204	PT34608204	ELECTRICITY LABEL
205	PT34608205	LASER RADIATION LABEL
206	PT34608206	MACHINE WARNING LABEL
207	PT34610207	GRIZZLY LABEL (T34608/T34609)
207	PT34608207	GRIZZLY LABEL (T34610/T34611)
210	PT34608210	TOUCH UP PAINT, GLOSSY BLACK
211	PT34608211	TOUCH UP PAINT, GRIZZLY GREEN

WARNING

Safety labels help reduce the risk of serious injury caused by machine hazards. If any label comes off or becomes unreadable, the owner of this machine **MUST** replace it in the original location before resuming operations. For replacements, contact (800) 523-4777 or www.grizzly.com.

