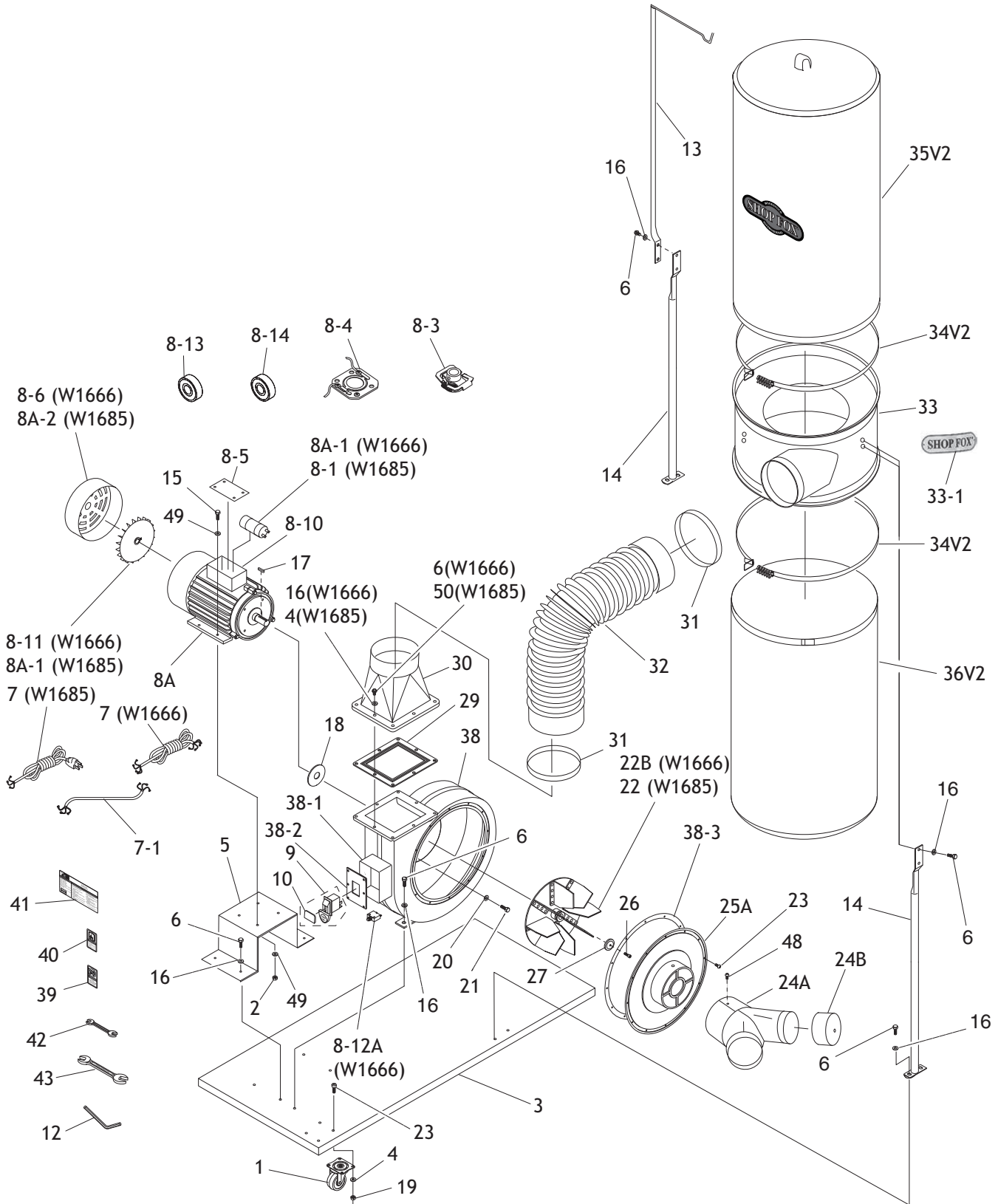


PARTS

Main



Main Parts List

REF	PART #	DESCRIPTION
1	X1666001	SWIVEL CASTER
2	X1666002	HEX NUT M8-1.25
3	X1666003	BASE PLATE
4	X1666004	FLAT WASHER 6MM
5	X1666005	MOTOR MOUNT
6	X1666006	HEX BOLT M8-1.25 X 16
7	X1666007	POWER CORD 14G 3W 120" (W1666)
7	X1685007	POWER CORD 14G 3W 72" 5-15 (W1685)
7-1	X1666007-1	MOTOR CORD 14G 3W 24"
8-12A	X1666008-12A	OVERLOAD SWITCH CRUUS 15A (W1666)
9	X1666009	SHOP FOX PADDLE SWITCH 110V W/KEY
10	X1666010	PADDLE SWITCH KEY
12	X1666012	HEX WRENCH 5MM
13	X1666013	UPPER BAG HANGER
14	X1666014	SEPARATOR SUPPORT
15	X1666015	HEX BOLT M8-1.25 X 25
16	X1666016	FLAT WASHER 8MM
17	X1666017	KEY 5 X 5 X 25
18	X1666018	MOTOR SHAFT SPACER
19	X1666019	HEX NUT M6-1
20	X1666020	LOCK WASHER 10MM
21	X1666021	HEX BOLT M10-1.5 X 16
22B	X1666022B	IMPELLER (W1666)
22	X1685022	IMPELLER (W1685)
23	X1666023	PHLP HD SCR M6-1 X 10
24A	X1666024A	INLET Y-CONNECTOR 6" X (2)4" V2.12.01
24B	X1666024B	INLET Y-CONNECTOR CAP
25A	X1666025A	IMPELLER COVER 6" V2.12.01

REF	PART #	DESCRIPTION
26	X1666026	CAP SCREW M6-1 X 20 LH
27	X1666027	ARBOR WASHER (BLACK PLASTIC)
29	X1666029	OUTLET GASKET 8 HOLE (W1666)
29	X1685029	OUTLET GASKET 8 HOLE (W1685)
30	X1666030	OUTLET FLANGE 8 HOLE (W1666)
30	X1685030	OUTLET FLANGE 8 HOLE (W1685)
31	X1666031	HOSE CLAMP 5"
32	X1666032	TRANSFER HOSE 5"
33	X1666033	SEPARATOR
33-1	X1666033-1	CURVED SHOP FOX NAME PLATE
34V2	X1666034V2	BAG CLAMP POLYPROPYLENE V2.07.10
35V2	X1666035V2	UPPER BAG 2.5 MICRON V2.02.15
36V2	X1666036V2	LOWER BAG (PLASTIC) V2.02.15
38	X1666038	IMPELLER HOUSING (W1666)
38	X1685038	IMPELLER HOUSING (W1685)
38-1	X1666038-1	SWITCH BOX
38-2	X1666038-2	SWITCH BOX COVER
38-3	X1666038-3	IMPELLER COVER GASKET
39	X1666039	HAND/INLET WARNING LABEL
40	X1666040	READ MANUAL LABEL
41	X1666041	MACHINE ID LABEL (W1666)
41	X1685041	MACHINE ID LABEL (W1685)
42	X1666042	WRENCH 8 X 10MM OPEN-ENDS
43	X1666043	WRENCH 11 X 13MM OPEN-ENDS
48	X1666048	PHLP HD SCR M5-.8 X 10
49	X1666049	FLAT WASHER 8MM
50	X1685050	HEX BOLT M6-1 X 20

W1666 2 HP, 220V, Single-Phase Motor

REF	PART #	DESCRIPTION
8A	X1666008A	MOTOR 2HP 220V 1-PH V2.11.02
8-3	X1666008-3	CENTRIFUGAL SWITCH
8-4	X1666008-4	CONTACT PLATE
8-5	X1666008-5	MOTOR BOX COVER
8-6	X1666008-6	MOTOR FAN COVER
8-10	X1666008-10	WIRING BOX WITHOUT COVER
8-11	X1666008-11	MOTOR FAN
8A-1	X1666008A-1	S CAPACITOR 200M 250V
8-13	X1666008-13	MOTOR FRONT BEARING
8-14	X1666008-14	MOTOR REAR BEARING

W1685 1-1/2 HP, 110V, Single-Phase Motor

REF	PART #	DESCRIPTION
8A	X1685008A	MOTOR 1-1/2HP 110V 1-PH V2.11.02
8-3	X1685008-3	CENTRIFUGAL SWITCH
8-4	X1685008-4	CONTACT PLATE
8-5	X1685008-5	MOTOR BOX COVER
8A-2	X1685008A-2	MOTOR FAN COVER
8-10	X1685008-10	WIRING BOX WITHOUT COVER
8A-1	X1685008A-1	MOTOR FAN
8-1	X1685008-1	S CAPACITOR 600M 125V
8-13	X1685008-13	MOTOR FRONT BEARING
8-14	X1685008-14	MOTOR REAR BEARING