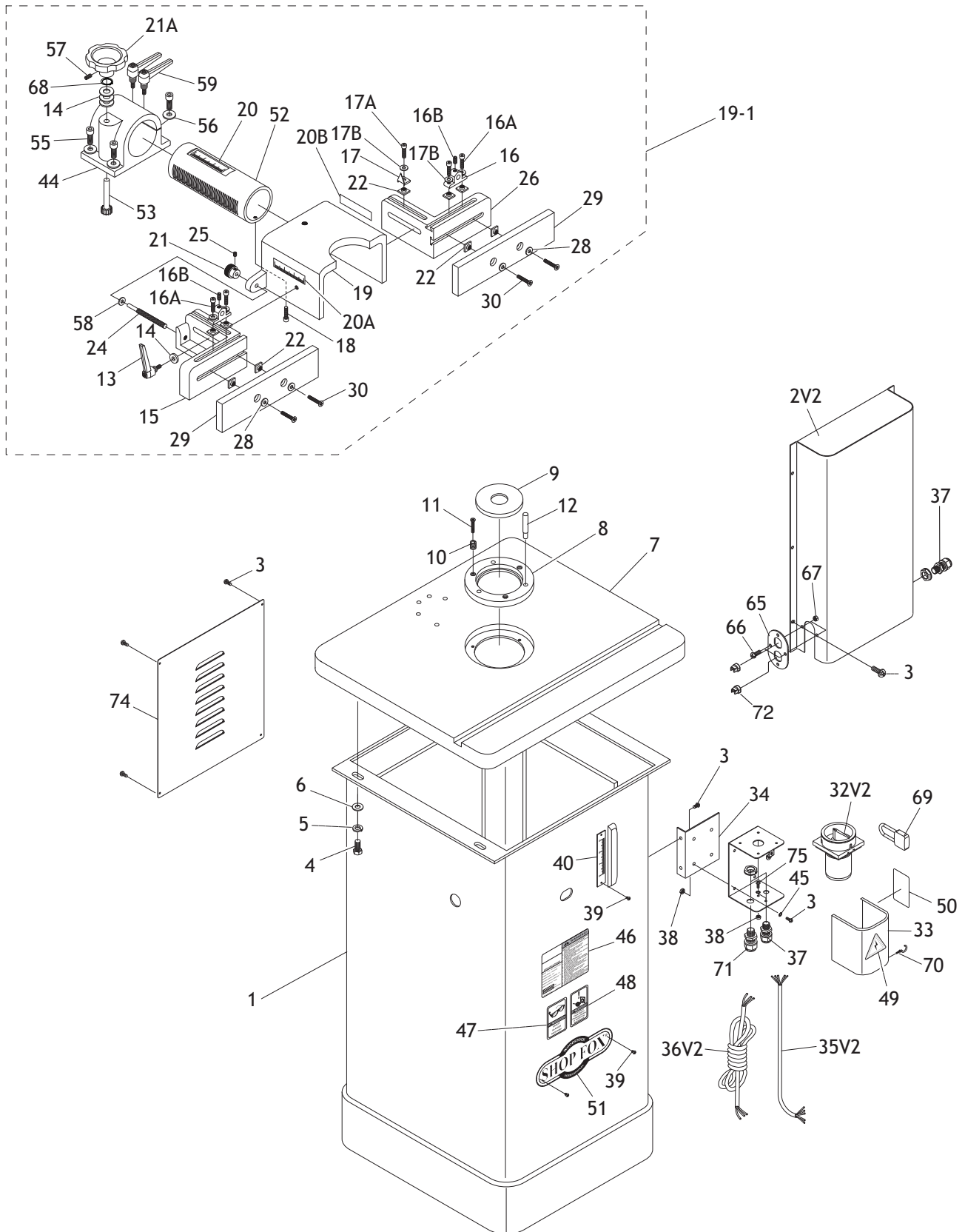


PARTS

Main

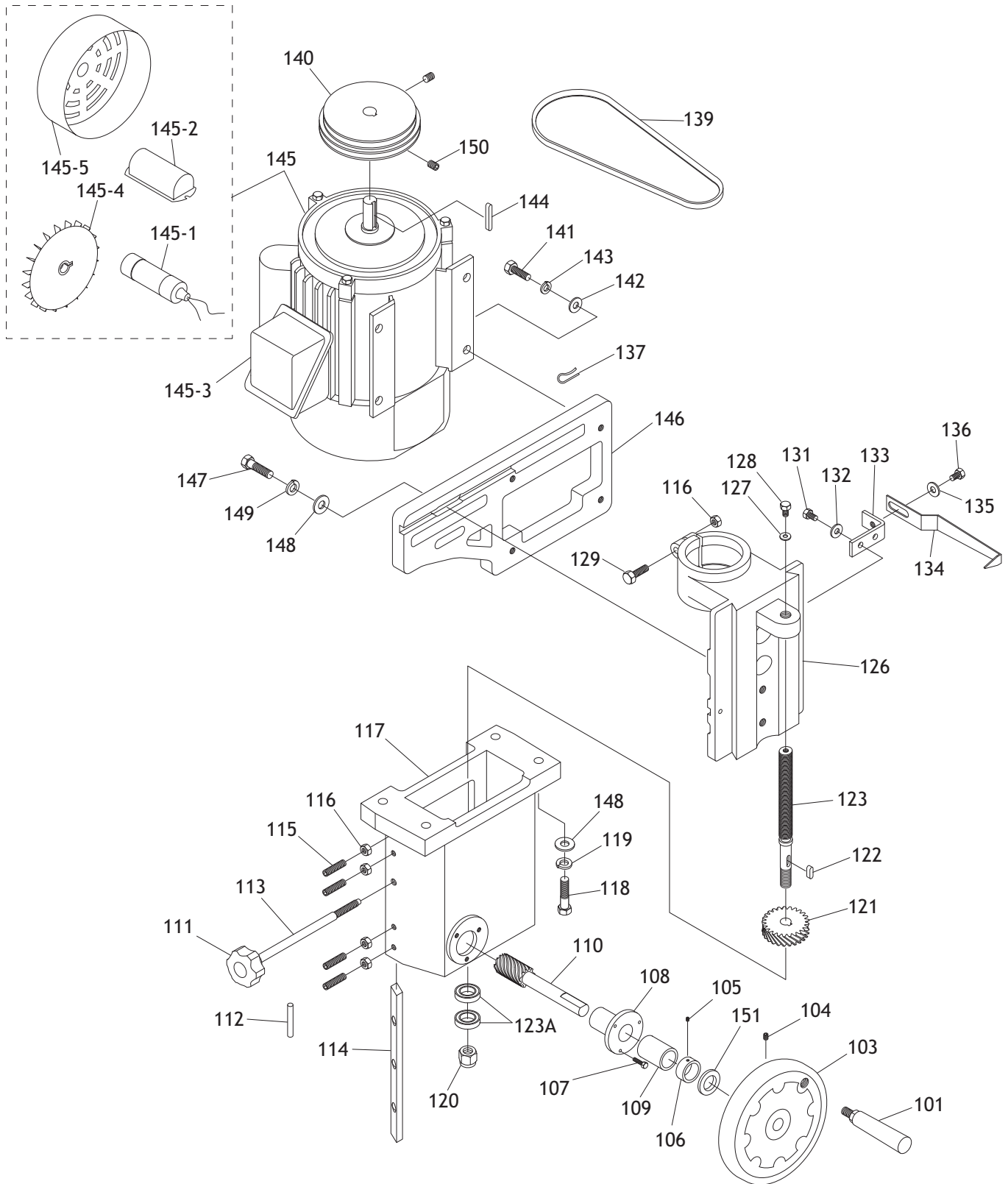


Main Parts List

REF	PART #	DESCRIPTION
1	X1674001	STAND
2V2	X1674002V2	MOTOR COVER V2.09.05
3	XPS06	PHLP HD SCR 10-24 X 3/8
4	XPB21	HEX BOLT 3/8-16 X 3/4
5	XPLW04	LOCK WASHER 3/8
6	XPW02	FLAT WASHER 3/8
7	X1674007	TABLE
8	X1674008	OUTER TABLE INSERT
9	X1674009	INNER TABLE INSERT
10	X1674010	BARREL SCREW 7/16-14 X 12
11	XPFH21	FLAT HD SCR 10-24X 3/4
12	X1674012	STARTING PIN
13	X1674013	LOCK HANDLE
14	XPW07	FLAT WASHER 5/16
15	X1674015	LEFT FENCE MOUNT
16	X1674016	HOLD-DOWN BAR BRACKET
16A	XPCAP04	CAP SCREW 1/4-20 X 1/2
16B	XPSS03	SET SCREW 1/4-20 X 3/8
17	X1674017	POINTER
17A	XPS07	PHLP SCREW 1/4-20 X 3/8
17B	XPW06	FLAT WASHER 1/4
18	XPCAP17	CAP SCREW 1/4-20 X 3/8
19	X1674019	MAIN FENCE BRACKET
19-1	X1674019-1	COMPLETE FENCE ASSEMBLY
20	X1674020	FENCE RAM SCALE
20A	X1674020A	LEFT FENCE HOUSING SCALE
20B	X1674020B	RIGHT FENCE HOUSING SCALE
21	X1674021	KNURLED KNOB
21A	X1674021A	ADJUSTMENT KNOB
22	X1674022	T-SLOT NUT 1/4-20
24	X1674024	FENCE SCREW 3/8-16 X 3-19/32
25	XPSS04	SET SCREW 1/4-20 X 5/16
26	X1674026	RIGHT FENCE MOUNT
28	XPW06	FLAT WASHER 1/4
29	X1674029	FENCE BOARD
30	XPS12	PHLP HD SCR 1/4-20 X 5/8
31	X1674031	SWITCH BOX

REF	PART #	DESCRIPTION
32V2	X1674032V2	LOCKING F/R SWITCH V2.09.10
33	X1674033	SWITCH BOX COVER
34	X1674034	SWITCH MOUNT BRACKET
35V2	X1674035V2	MOTOR CORD 14AWG 5C 86CM
36V2	X1674036V2	PWR CORD 14AWG 3W 366CM 6-15P
37	X1674037	STRAIN RELIEF 16
38	XPNO7	HEX NUT 10-24
39	XPHTK7	TAP SCREW #8 x 3/8
40	X1674040	SPINDLE HEIGHT SCALE
42	X1674042	GROMMET
44	X1674044	FENCE ADJUSTMENT BRACKET
45	XPTLW01	EXT TOOTH WASHER #10
46	X1674046	MACHINE ID LABEL
47	XLABEL-01	SAFETY GLASSES LABEL
48	XLABEL-02	UNPLUG MACHINE LABEL
49	XLABEL-04	ELECTRICITY LABEL
50	XLABEL-12	READ MANUAL LABEL
51	D3376	SHOP FOX NAMEPLATE
52	X1674052	FENCE RAM
53	X1674053	PINION SHAFT
55	XPCAP77	CAP SCREW 3/8-24 X 1
56	XPW07	FLAT WASHER 5/16
57	XPSS03	SET SCREW 1/4-20 X 3/8
58	XPW06	FLAT WASHER 1/4
59	X1674059	LOCK HANDLE
65	X1674065	STRAIN RELIEF PLATE
66	XPS01	PHLP HD SCR 10-24 X 1/2
67	XPNO7	HEX NUT 10-24
68	X1674068	PINON SHAFT EXT RETAINING RING
69	X1674069	PADLOCK FOR SWITCH
70	X1674070	HOOK
71	X1674071	STRAIN RELIEF STD M20 STRAIGHT
72	X1674072	STRAIN RELIEF SNAP-IN M8
73	X1674073	STRAIN RELIEF STD M16 STRAIGHT
74	X1674074	REAR CABINET PANEL
75	XPFS03	FLANGE SCREW 10-24 X 3/8

Motor Assembly

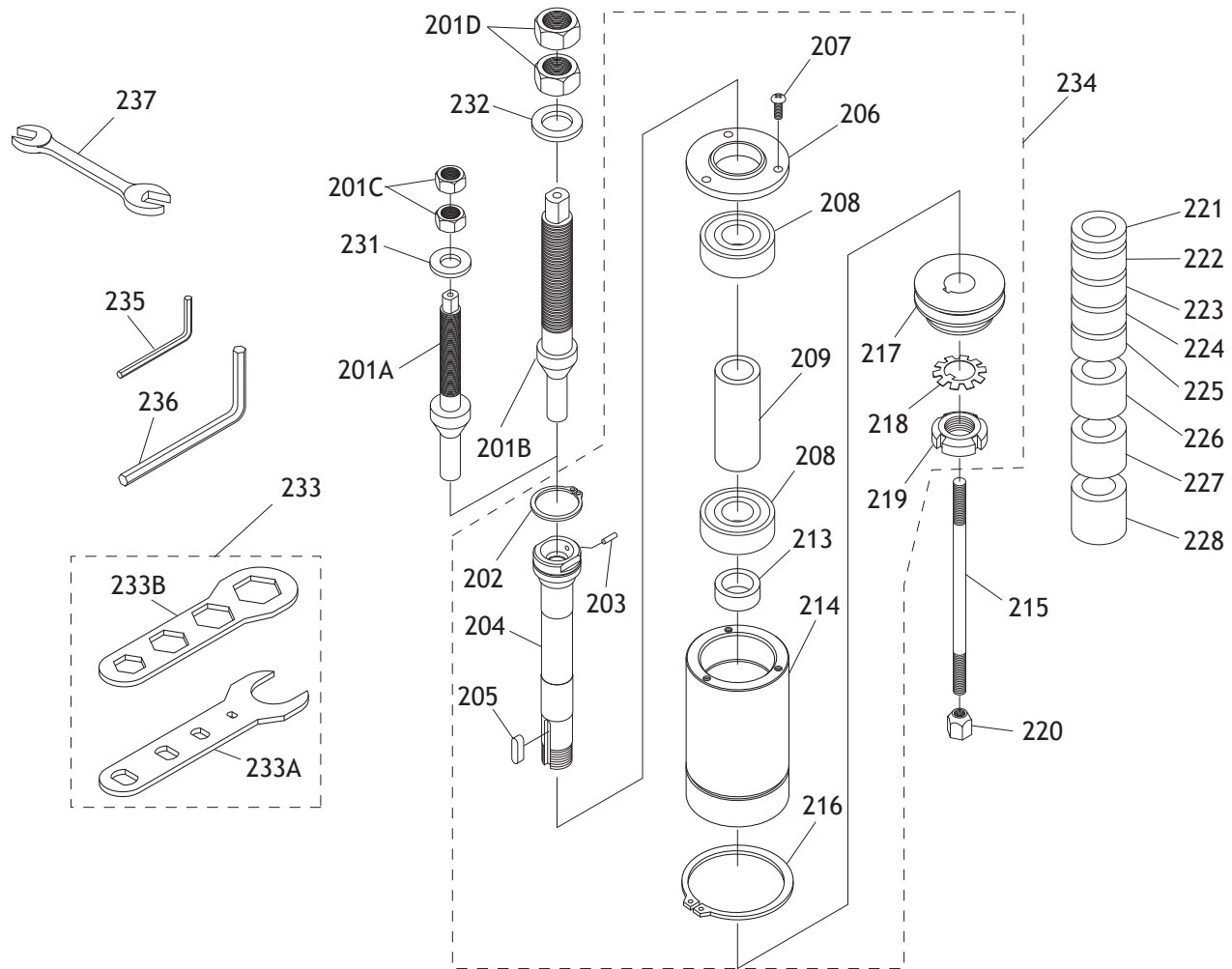


Motor Assembly Parts List

REF	PART #	DESCRIPTION
101	X1674101	HANDLE
103	X1674103	HANDWHEEL
104	XPSS02	SET SCREW 5/16-18 X 3/8
105	XPSS11	SET SCREW 1/4-20 X 1/4
106	X1674106	COLLAR
107	XPCAP04	CAP SCREW 1/4-20 X 1/2
108	X1674108	SHAFT MOUNT
109	X1674109	BUSHING
110	X1674110	WORM SHAFT
111	X1674111	STAR KNOB
112	XPRP72M	ROLL PIN 3 X 15
113	X1674113	SPINDLE LOCK SCREW
114	X1674114	GIB
115	XPSS20	SET SCREW 5/16-18 X 1-1/2
116	XPN02	HEX NUT 5/16-18
117	X1674117	ELEVATION HOUSING
118	XPB25	HEX BOLT 3/8-16 X 1-3/4
119	XPLW03	LOCK WASHER 3/16
120	X1674120	SPECIAL LOCK NUT
121	X1674121	GEAR 25T
122	XPK20M	KEY 5 X 5 X 15
123	X1674123	LEADSCREW 5/8-10 X 4-5/8
123A	XP51102	THRUST BEARING 51102
126	X1674126	SPINDLE HOUSING
127	XPW07	FLAT WASHER 5/16
128	XPB07	HEX BOLT 5/16-18 X 3/4

REF	PART #	DESCRIPTION
129	XPB11	HEX BOLT 5/16-18 X 1-1/2
131	XPB19	HEX BOLT 1/4-20 X 1/2
132	XPW06	FLAT WASHER 1/4
133	X1674133	BRACKET
134	X1674134	POINTER
135	XPW07	FLAT WASHER 5/16
136	XPB15	HEX BOLT 5/16-18 X 3/8
137	X1674137	CABLE CLAMP 1/2"
139	X1674139	V-BELT GATES 7M600
140	X1674140	STEP PULLEY
141	XPB12	HEX BOLT 5/16-18 X 1-1/4
142	XPW07	FLAT WASHER 5/16
143	XPLW01	LOCK WASHER 5/16
144	XPK12M	KEY 5 X 5 X 30
145	X1674145	MOTOR 2HP 110/220V 1PH 60HZ
145-1	XPC400A	S CAPACITOR 400MFD 125VAC
145-2	X1674145-2	CAPACITOR COVER
145-3	X1674145-3	WIRE BOX COVER
145-4	X1674145-4	MOTOR FAN
145-5	X1674145-5	MOTOR FAN COVER
146	X1674146	MOTOR MOUNT PLATE
147	XPB16	HEX BOLT 3/8-16 X 1-1/2
148	XPW02	FLAT WASHER 3/8
149	XPLW04	LOCK WASHER 3/8
150	XPSS02	SET SCREW 5/16-18 X 3/8
151	X1674151	HANDWHEEL WASHER

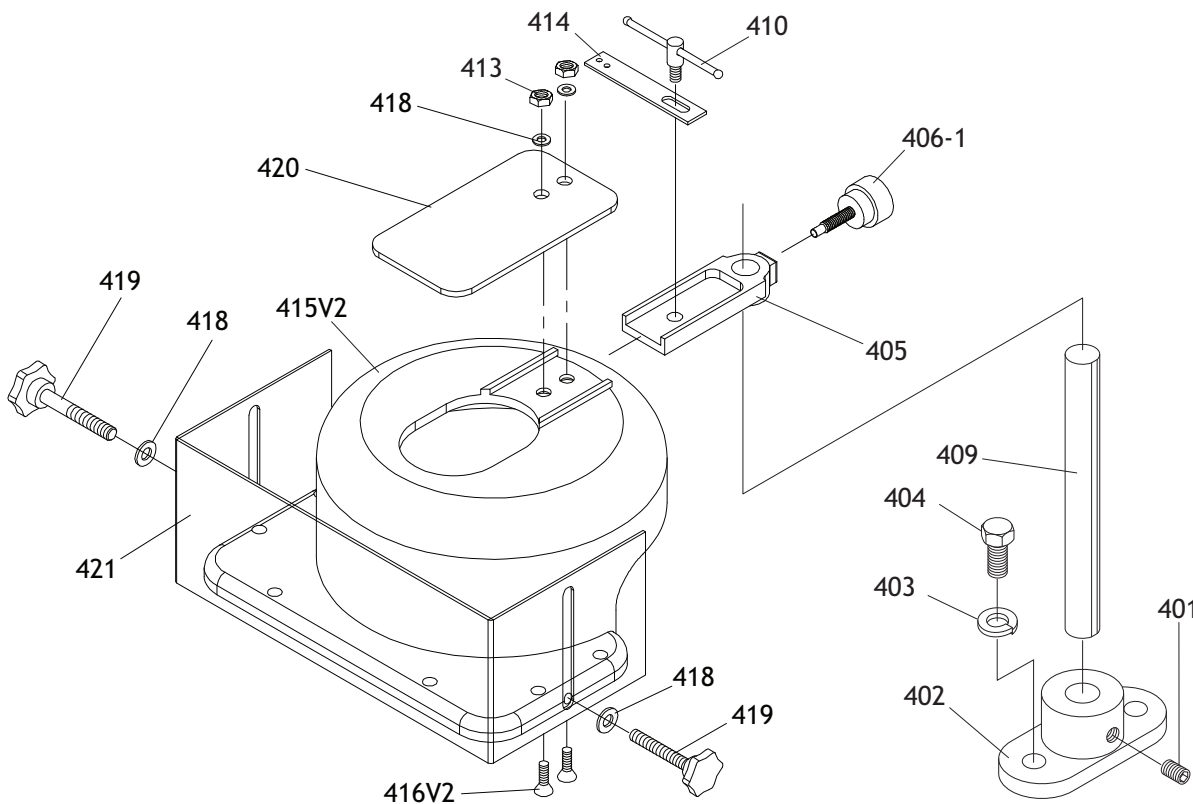
Spindle



REF	PART #	DESCRIPTION
201A	X1674201A	SPINDLE 1/2"
201B	X1674201B	SPINDLE 3/4"
201C	X1674201C	SPINDLE NUT SET 1/2"
201D	X1674201D	SPINDLE NUT SET 3/4"
202	XPR15M	EXT RETAINING RING 30MM
203	X1674203	CARTRIDGE PIN
204	X1674204	SPINDLE CARTRIDGE
205	XPK14M	KEY 5 X 5 X 18
206	X1674206	HOUSING CAP
207	XPFH08	FLAT HD SCR 10-24 X 1/2
208	XP6204ZZ	BALL BEARING 6204ZZ
209	X1674209	SPACER LONG
213	X1674213	SLEEVE
214	X1674214	BEARING HOUSING
215	X1674215	DRAWBAR 5/16-24 X 5-7/8
216	XPR13M	EXT RETAINING RING 65MM
217	X1674217	STEP PULLEY
218	X1674218	SPANNER LOCK WASHER 3/4"
219	X1674219	SPANNER NUT 3/4"

REF	PART #	DESCRIPTION
220	X1674220	DRAWBAR NUT 5/16-24
221	W1159	SPACER 1/2" x 1" x 1/4"
222	W1160	SPACER 1/2" x 1" x 3/8"
223	W1161	SPACER 1/2" x 1" x 1/2"
224	W1162	SPACER 1/2" x 1" x 3/4"
225	W1164	SPACER 3/4" x 1-1/4" x 1/4"
226	W1165	SPACER 3/4" x 1-1/4" x 3/8"
227	W1166	SPACER 3/4" x 1-1/4" x 1/2"
228	W1167	SPACER 3/4" x 1-1/4" x 3/4"
231	X1674231	SPINDLE WASHER 1/2"
232	X1674232	SPINDLE WASHER 3/4"
233	X1674233	SPINDLE WRENCH SET
233A	X1674233A	SPINDLE WRENCH
233B	X1674233B	SPINDLE WRENCH HEXAGON
234	X1674234	SPINDLE CARTRIDGE ASSEMBLY
235	XPAW03M	HEX WRENCH 3MM
236	XPAW05M	HEX WRENCH 5MM
237	XPWR1214	OPEN END WRENCH 12/14

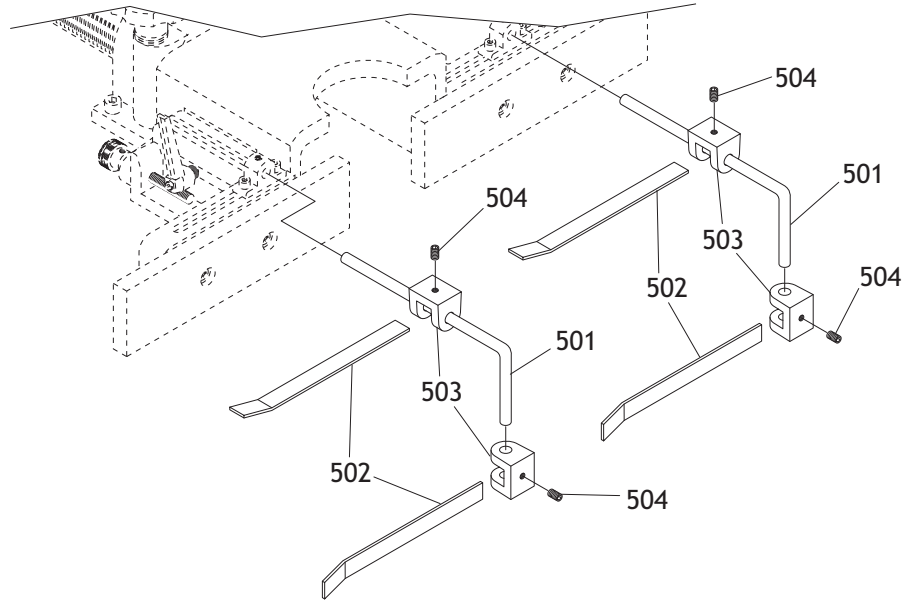
Safety Guard Assembly



REF	PART #	DESCRIPTION
401	XPSS02	SET SCREW 5/16-18 X 3/8
402	X1674402	SHAFT MOUNT
403	XPLW04	LOCK WASHER 3/8
404	XPB18	HEX BOLT 3/8-16 X 1
405	X1674405	EXTENSION BRACKET
406-1	X1674406-1	LOCK KNOB SHAFT ASSY
409	X1674409	SHAFT
410	X1674410	HANDLE PEG W/SHAFT

REF	PART #	DESCRIPTION
413	XPN05	HEX NUT 1/4-20
414	X1674414	EXTENSION BAR
415V2	X1674415V2	OVERHEAD SAFETY GUARD V2.09.10
416V2	XPFH02	FLAT HD SCR 10-24 X 1
418	XPW06	FLAT WASHER 1/4
419	X1674419	KNOB BOLT 1/4-20 X 1/2
420	X1674420	TOP SAFETY GUARD
421	X1674421	FRONT SAFETY GUARD

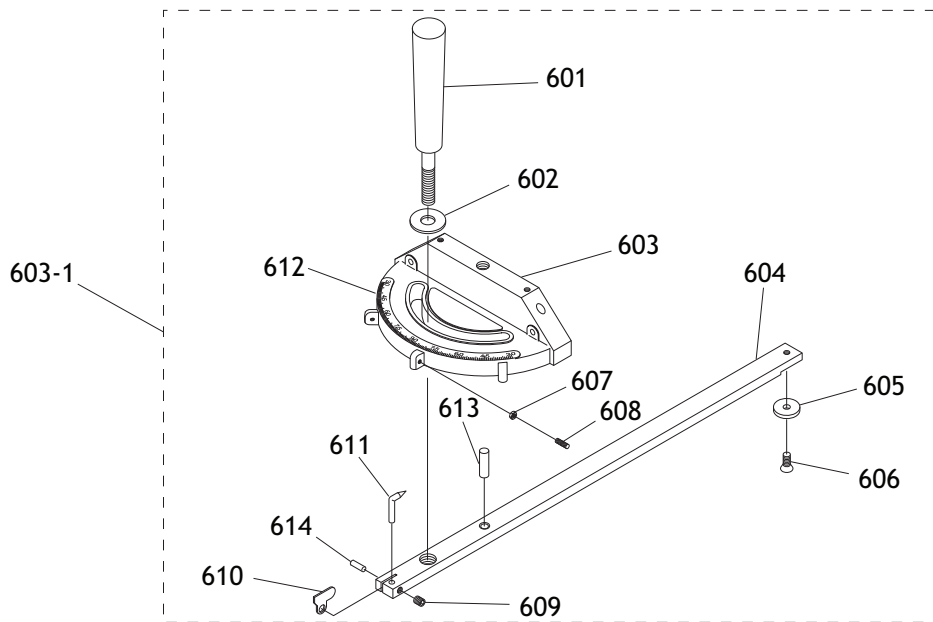
Hold-Downs



REF	PART #	DESCRIPTION
501	X1674501	HOLD-DOWN BAR
502	X1674502	HOLD-DOWN

REF	PART #	DESCRIPTION
503	X1674503	HOLD-DOWN BRACKET
504	XPSS03	SET SCREW 1/4-20 X 3/8

Miter Gauge



REF	PART #	DESCRIPTION
601	X1674601	HANDLE
602	XPW07	FLAT WASHER 5/16
603	X1674603	MITER GAUGE BODY
603-1	X1674603-1	COMPLETE MITER GAUGE ASSY
604	X1674604	MITER BAR
605	X1674605	SPECIAL WASHER
606	XPFH19	FLAT HD SCR 1/4-20 X 3/8
607	XPNO7	HEX NUT 10-24

REF	PART #	DESCRIPTION
608	XPSS32	SET SCREW 10-24 X 3/4
609	XPSS29	SET SCREW 10-24 X 1/4
610	X1674610	STOP
611	X1674611	POINTER
612	X1674612	SCALE
613	X1674613	GUIDE STUD
614	X1674614	SPECIAL PIN 3MM