

READ THIS FIRST

Model W1680

IMPORTANT UPDATE

Applies to Owner's Manual

Printed July, 2000

Phone #: (360) 734-3482 • Tech Support: tech-support@shopfox.biz • Web: www.shopfox.biz



For Machine Serial #'s 13943 & Higher

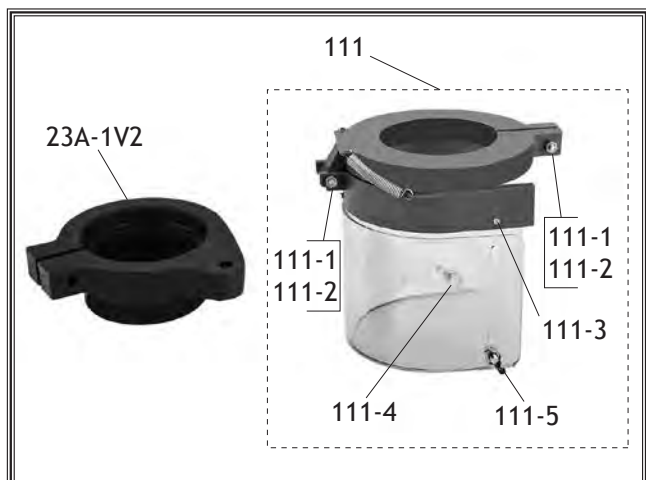
The following changes were recently made to this machine since the owner's manual was printed:

- Changed the depth stop bracket.
- Added a chuck guard.

Aside from the information contained in this update, all other content in the owner's manual applies and **MUST** be read and understood for your own safety. **Important: Keep this update with the owner's manual for future reference.**

If you have any further questions about this manual update or the changes made to the machine, contact our Technical Support.

Changed & Added Parts



REF	PART #	DESCRIPTION
23A-1V2	X1680023A-1V2	DEPTH STOP BRACKET V2.12.12
111	X1680111	CHUCK GUARD ASSEMBLY
111-1	XPS51M	PHLP HD SCR M4-.7 X 30
111-2	XPN04M	HEX NUT M4-.7
111-3	XPHTEK47M	TAP SCREW M2.2 X 4.5
111-4	XPB107M	HEX BOLT M5-.8 X 12
111-5	XPWN05M	WING NUT M5-.8

Installation

Place the chuck guard over the bottom flange of the pre-installed depth stop bracket (see example photo in **Figure 1**), and tighten the Phillips head screw and hex nut to secure it.

Note: To prevent the guard from slipping off during installation, move the table up to support it. Or, have an assistant hold the guard in place while you secure it.



Figure 1. Example photo of installing chuck guard assembly.

COPYRIGHT © FEBRUARY, 2013 BY WOODSTOCK INTERNATIONAL, INC.

WARNING: NO PORTION OF THIS MANUAL MAY BE REPRODUCED IN ANY SHAPE OR FORM WITHOUT

#15656TS

THE WRITTEN APPROVAL OF WOODSTOCK INTERNATIONAL, INC.

Printed in China



MODEL W1680 17" DRILL PRESS

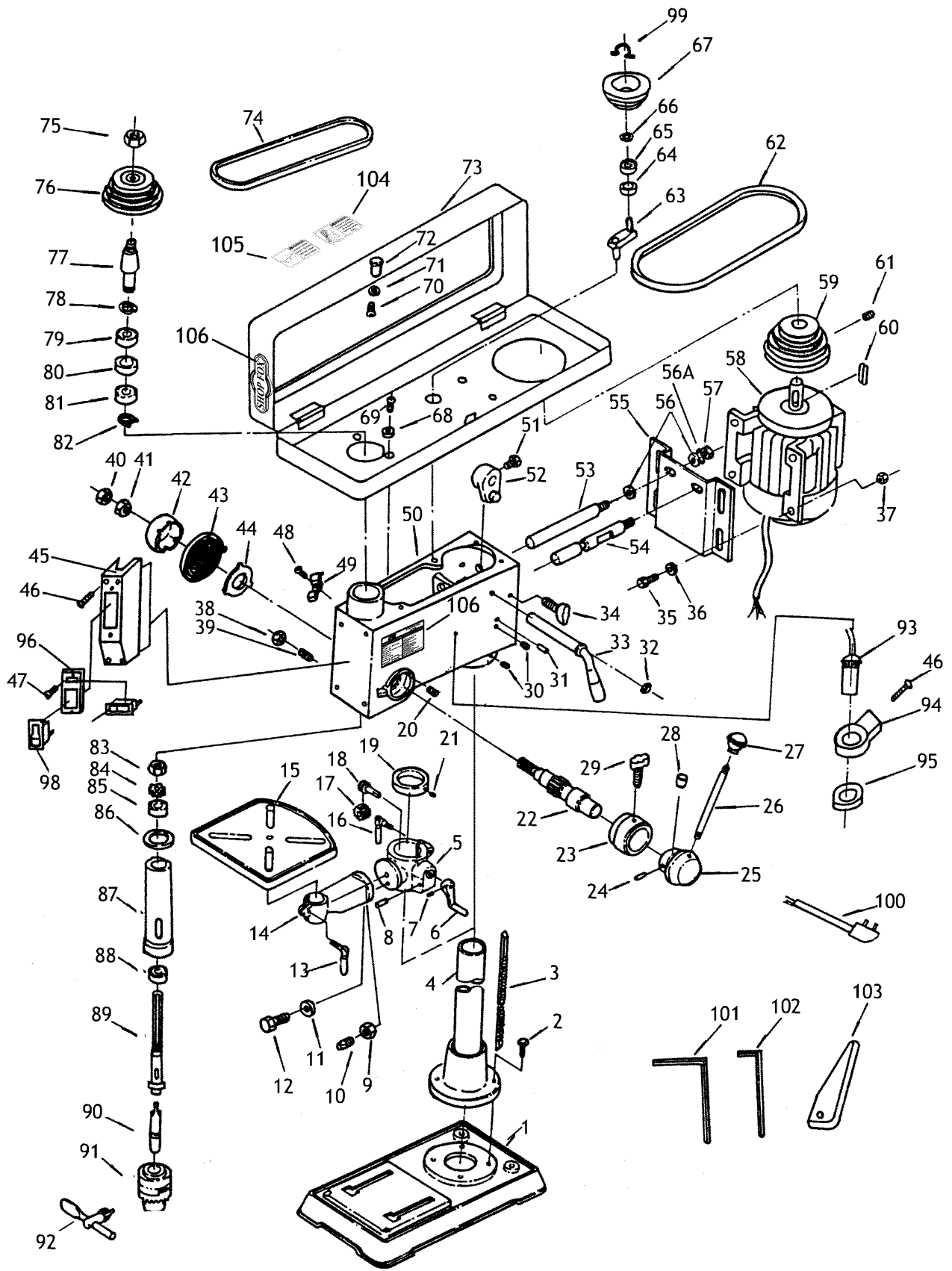


PARTS LIST

Phone: 1-800-840-8420 • On-Line Technical Support: tech-support@woodstockint.com

COPYRIGHT © 2000 BY WOODSTOCK INTERNATIONAL, INC.
**WARNING: NO PORTION OF THIS MANUAL MAY BE REPRODUCED IN ANY SHAPE OR FORM WITHOUT
THE WRITTEN APPROVAL OF WOODSTOCK INTERNATIONAL, INC.**

Printed in China



REF	PART #	DESCRIPTION
01	X1680001	BASE
02	XPB27M	HEX BOLT M12-1.75 X 30
03	X1680003	RACK
04	X1680004	COLUMN
05	X1680005	TABLE BRACKET
06	X1680006	HANDLE
07	X1680007	SET SCREW
08	X1680008	SHAFT
09	X1680009	NUT
10	X1680010	PIN
11	X1680011	WASHER
12	X1680012	BOLT
13	X1680013	TABLE BOLT
14	X1680014	TABLE ARM BRACKET
15	X1680015	TABLE
16	X1680016	CLAMP BOLT
17	X1680017	GEAR
18	X1680018	WORM GEAR
19	X1680019	RACK RING
20	X1680020	PIN STOP
21	XPSS01M	SET SCREW M6-1 X 10
22	X1680022	FEED SHAFT
23	X1680023	SCALE RING
24	X1680024	ROLL PIN
25	X1680025	HANDLE BODY
26	X1680026	HANDLE

REF	PART #	DESCRIPTION
27	X1680027	KNOB
28	X1680028	KEY
29	X1680029	LOCK KNOB
30	X1680030	SET SCREW
31	X1680031	ROLL PIN
32	X1680032	SNAP RING
33	X1680033	SHIFTER BAR
34	X1680034	LOCK KNOB
35	X1680035	BOLT
36	X1680036	WASHER
37	X1680037	NUT
38	X1680038	NUT
39	X1680039	SPECIAL SET SCREW
40	X1680040	NUT
41	X1680041	NUT
42	X1680042	SPRING CAP
43	X1680043	SPRING-TORSION
44	X1680044	SPRING COVER
45	X1680045	SWITCH BOX
46	X1680046	SCREW
47	XPS38M	PHLP HD SCR M4-.7 X 10
48	X1680048	SCREW
49	X1680049	CORD CLAMP
50	X1680050	HEAD CASTING
51	X1680051	BOLT
52	X1680052	SHIFTER



REF	PART #	DESCRIPTION
53	X1680053	SLIDE BAR
54	X1680054	SLIDE BAR
55	X1680055	MOTOR BASE
56	X1680056	WASHER
56A	X1680056A	SPRING WASHER
57	X1680057	NUT
58	X1680058	MOTOR
59	X1680059	MOTOR PULLEY
60	X1680060	KEY
61	X1680061	SET SCREW
62	X1680062	V-BELT
63	X1680063	CENTER SHAFT
64	XP6202	BALL BEARING 6202ZZ
65	XP6202	BALL BEARING 6202ZZ
66	X1680066	INTERNAL RETAINING RING
67	X1680067	CENTER PULLEY
68	X1680068	WASHER
69	X1680069	SCREW
70	XPS09M	PHLP HD SCR M5-.8 X 10
71	XPW02M	FLAT WASHER 5MM
72	X1680072	KNOB
73	X1680073	PULLEY COVER
74	X1680074	V-BELT
75	X1680075	PULLEY NUT
76	X1680076	SPINDLE PULLEY
77	X1680077	INSERT PULLEY
78	X1680078	INTERNAL RETAINING RING
79	XP6207	BALL BEARING 6207ZZ

REF	PART #	DESCRIPTION
80	X1680080	SPACER
81	XP6207	BALL BEARING 6207ZZ
82	X1680082	INTERNAL RETAINING RING
83	X1680083	ROUND NUT
84	X1680084	TAB WASHER
85	XP6206	BALL BEARING 6206ZZ
86	X1680086	RUBBER WASHER
87	X1680087	SPINDLE SLEEVE
88	XP6207	BALL BEARING 6207ZZ
89	X1680089	SPINDLE
90	X1680090	ARBOR
91	X1680091	CHUCK
92	X1680092	CHUCK KEY
93	X1680093	LIGHT SOCKET
94	X1680094	LIGHT BASE
95	X1680093	SCREW
96	X1680096	SWITCH BASE
97	X1680097	SWITCH (LIGHT)
98	X1680098	SWITCH (MOTOR)
99	X1680099	SNAP RING
100	X1680100	PIN
101	XPAW04M	ALLEN® WRENCH 4MM
102	XPAW05M	ALLEN® WRENCH 5MM
103	X1680103	WEDGE
104	X1680104	LONG HAIR SAFETY LABEL
105	X1680105	GLASSES SAFETY LABEL
106	X1680106	MACHINE ID LABEL
107	X1680107	MACHINE LABEL