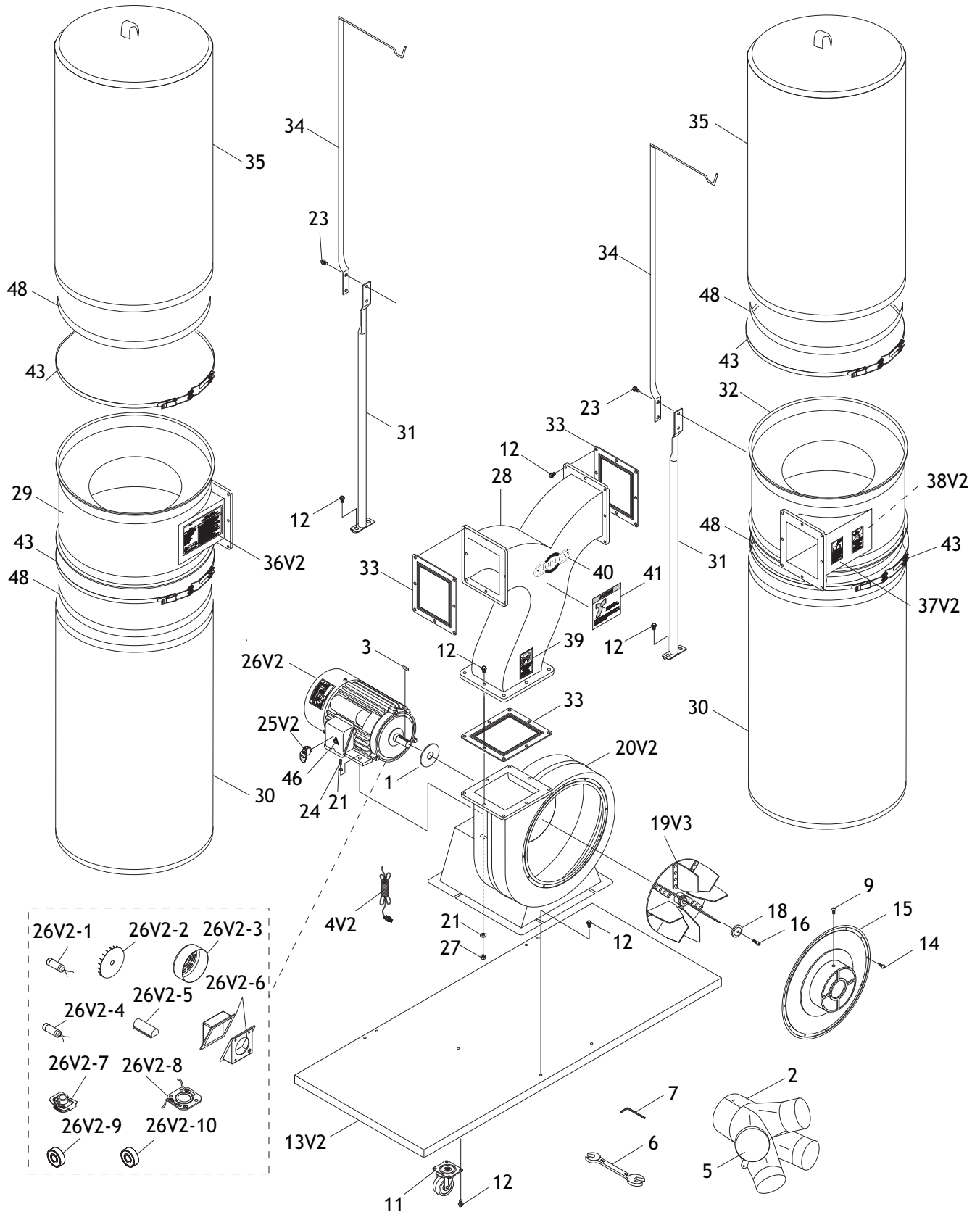


PARTS

Main Breakdown



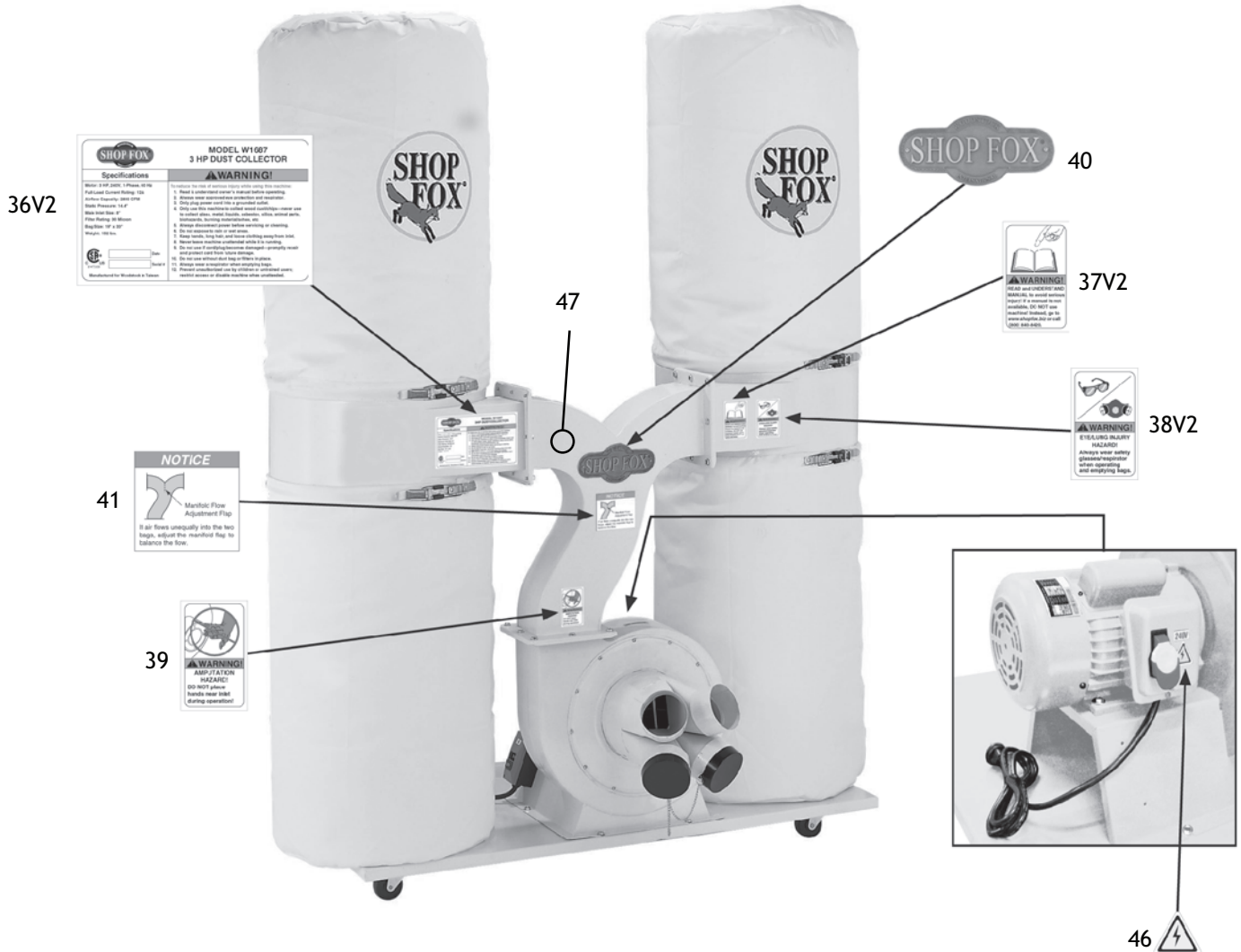
PARTS

Main Parts List

REF	PART #	DESCRIPTION
1	X1687001	RING GASKET
2	X1687002	4-WAY INLET
3	XPK28M	KEY 7 X 7 X 29
4V2	X1687004V2	POWER CORD 14G X 3W 6' 6-20 V2.09.11
5	X1687005	INLET CAP
6	XPWR1012	WRENCH 10 X 12MM OPEN-END
7	XPAW05M	WRENCH HEX 5MM
9	XPS06	PHLP HD SCR 10-24 X 3/8
11	X1687011	CASTER
12	XPFB01	FLANGE BOLT 5/16-18 X 1/2
13V2	X1687013V2	BASE PLATE RECTANGLE V2.11.09
14	XPS06	PHLP HD SCR 10-24 X 3/8
15	X1687015	INLET COVER
16	X1687016	CAP SCREW M6-1 X 19 LH
18	X1687018	IMPELLER WASHER
19V3	X1687019V3	IMPELLER 12-3/4" ALUM V3.09.11
20V2	X1687020V2	COLLECTOR BODY RECTANGLE V2.11.09
21	XPW07	FLAT WASHER 5/16
23	XPFB01	FLANGE BOLT 5/16-18 X 1/2
24	XPB03	HEX BOLT 5/16-18 X 1
25V2	D2751	PADDLE SWITCH V2.04.12
26V2	X1687026V2	MOTOR 3HP 240V 1-PH V2.09.11
26V2-1	X1687026V2-1	S CAPACITOR 500M 125V V2.09.11
26V2-2	X1687026V2-2	MOTOR FAN V2.09.11
26V2-3	X1687026V2-3	MOTOR FAN COVER V2.09.11

REF	PART #	DESCRIPTION
26V2-4	X1687026V2-4	R CAPACITOR 40M 300V V2.09.11
26V2-5	X1687026V2-5	CAPACITOR COVER V2.09.11
26V2-6	X1687026V2-6	JUNCTION BOX V2.09.11
26V2-7	X1687026V2-7	CENTRIFUGAL SWITCH 3450 V2.09.11
26V2-8	X1687026V2-8	CONTACT PLATE V2.09.11
26V2-9	X1687026V2-9	FRONT MOTOR BEARING
26V2-10	X1687026V2-10	REAR MOTOR BEARING
27	XPN02	HEX NUT 5/16-18
28	X1687028	METAL Y OUTLET
29	X1687029	LEFT COLLECTOR
30	D1796	LOWER BAG
31	X1687031	COLLECTOR SUPPORT
32	X1687032	RIGHT COLLECTOR
33	X1687033	SQUARE GASKET
34	X1687034	UPPER BAG SUPPORT
35	D1795	UPPER BAG
36V2	X1687036V2	MACHINE ID LABEL CSA V2.09.11
37V2	XLABEL-08	READ MANUAL LABEL V2.09.11
38V2	XLABEL-06	GLASSES-RESPIRATOR LABEL V2.09.11
39	X1687039	AMPUTATION HAZARD LABEL
40	XPLOGO2	SHOP FOX NAMEPLATE-MEDIUM
41	X1687041	MANIFOLD NOTICE LABEL
43	X1687043	QUICK RELEASE CLAMP STEEL
46	X-LABEL04	ELECTRICITY LABEL
48	X1687048	FOAM STRIP 4 X 20MM

Label Placement



REF	PART #	DESCRIPTION
36V2	X1687036V2	MACHINE ID LABEL CSA V2.09.11
37V2	XLABEL-98	READ MANUAL LABEL V2.09.11
38V2	XLABEL-06	GLASSES-RESPIRATOR LABEL V2.09.11
39	X1687039	AMPUTATION HAZARD LABEL

REF	PART #	DESCRIPTION
40	XPLOGO2	SHOP FOX NAMEPLATE-MEDIUM
41	X1687041	MANIFOLD NOTICE LABEL
46	X-LABEL04	ELECTRICITY LABEL
47	XPPAINT-1	SHOP FOX WHITE TOUCH-UP PAINT

WARNING

Safety labels warn about machine hazards and how to prevent serious personal injury. The owner of this machine **MUST** maintain the original location and readability of all labels on this machine. If any label is removed or becomes unreadable, **REPLACE** that label before allowing machine to be operated again. Contact us at (360) 734-3482 or www.shopfoxtools.com to order new labels.