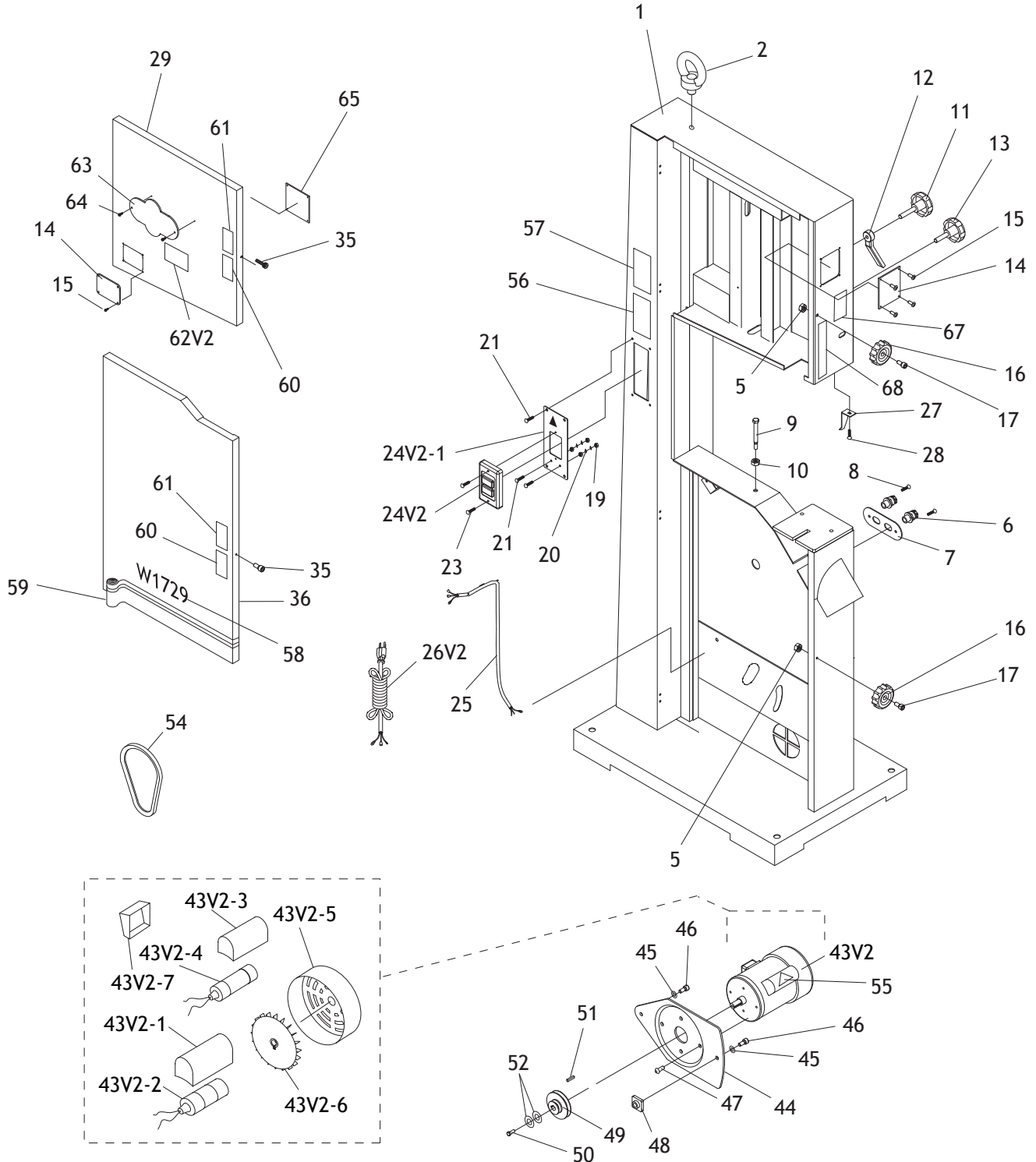


# PARTS

## Motor and Body

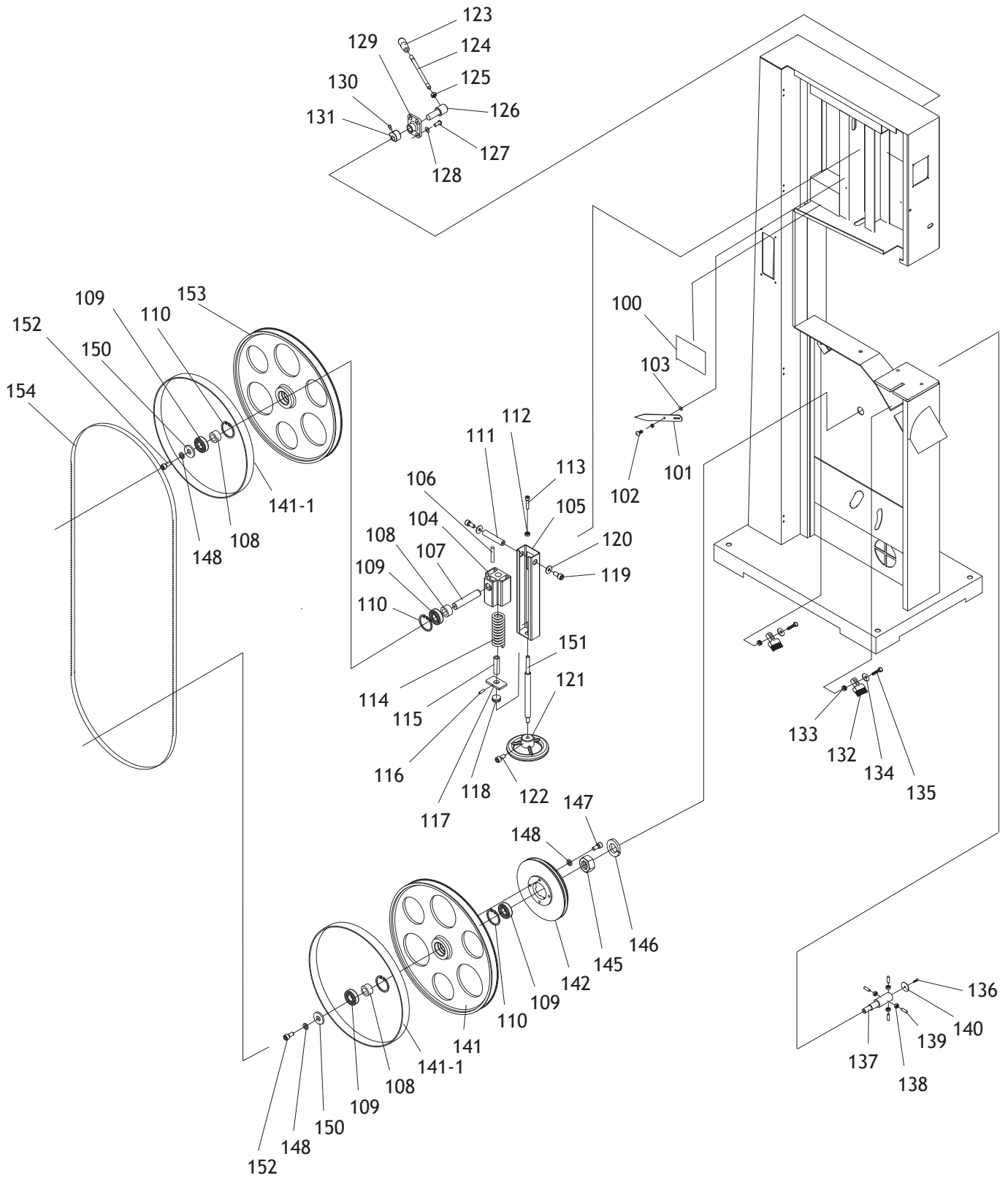


# Motor and Body Parts List

| REF    | PART #       | DESCRIPTION                       |
|--------|--------------|-----------------------------------|
| 1      | X1729001     | MACHINE BODY                      |
| 2      | X1729002     | EYE BOLT                          |
| 5      | X1729005     | LOCK NUT M6-1                     |
| 6      | X1729006     | STRAIN RELIEF 16MM                |
| 7      | X1729007     | PLATE                             |
| 8      | X1729008     | PHLP HD SCREW M5-.8 X 10          |
| 9      | X1729009     | HEX BOLT M8-1.25 X 100            |
| 10     | X1729010     | HEX NUT M8-1.25                   |
| 11     | X1729011     | KNOB BOLT 3/8"-16                 |
| 12     | X1729012     | THREADED HANDLE 3/8"-16           |
| 13     | X1729013     | KNOB BOLT 3/8"-16                 |
| 14     | X1729014     | CLEAR WINDOW                      |
| 15     | X1729015     | RIVET 3.2 X 6MM                   |
| 16     | X1729016     | STAR HANDLE                       |
| 17     | X1729017     | CAP SCREW M6-1 X 20               |
| 19     | X1729019     | HEX NUT M5-.8                     |
| 20     | X1729020     | EXT TOOTH WASHER 5MM              |
| 21     | X1729021     | PHLP HD SCR M5-.8 X 10            |
| 23     | X1729023     | PHLP HD SCR M5-.8 X 16            |
| 24V2   | X1729024V2   | PUSH BUTTON ON/OFF V2.06.11       |
| 24V2-1 | X1729024V2-1 | SWITCH PLATE V2.06.11             |
| 26V2   | X1729026V2   | POWER CORD 14G 3W 6-15P V2.01.12  |
| 27     | X1729027     | HEIGHT POINTER                    |
| 28     | X1729028     | PHLP HD SCR M5-.8 X 10            |
| 29     | X1729029     | UPPER WHEEL COVER                 |
| 35     | X1729035     | CAP SCREW M6-1 X 10               |
| 36     | X1729036     | LOWER WHEEL COVER                 |
| 43V2   | X1729043V2   | MOTOR 2HP 115V/230V 1-PH V2.01.12 |
| 43V2-1 | X1729043V2-1 | START CAPACITOR COVER             |

| REF    | PART #       | DESCRIPTION                   |
|--------|--------------|-------------------------------|
| 43V2-2 | X1729043V2-2 | S CAPACITOR 300M 250V         |
| 43V2-3 | X1729043V2-3 | RUN CAPACITOR COVER           |
| 43V2-4 | X1729043V2-4 | R CAPACITOR 40M 250V          |
| 43V2-5 | X1729043V2-5 | FAN COVER                     |
| 43V2-6 | X1729043V2-6 | MOTOR FAN                     |
| 43V2-7 | X1729043V2-7 | ELECTRICAL BOX COVER          |
| 44     | X1729044     | MOTOR BRACKET                 |
| 45     | X1729045     | LOCK WASHER 10MM              |
| 46     | X1729046     | HEX BOLT M10-1.5 X 25         |
| 47     | X1729047     | MOTOR MOUNT SCREW             |
| 48     | X1729048     | T-NUT                         |
| 49     | X1729049     | MOTOR PULLEY                  |
| 50     | X1729050     | HEX BOLT M5-.8 X 20 (LH)      |
| 51     | X1729051     | KEY 5 X 5 X 35                |
| 52     | X1729052     | FLAT WASHER 8MM               |
| 54     | X1729054     | V-BELT A-42                   |
| 55     | X1729055     | ELECTRICITY LABEL             |
| 56     | X1729056     | READ MANUAL LABEL             |
| 57     | X1729057     | RESPIRATOR LABEL              |
| 58     | X1729058     | MODEL NUMBER LABEL            |
| 59     | X1729059     | PINSTRIPED TAPE               |
| 60     | X1729060     | DISCONNECT POWER LABEL        |
| 61     | X1729061     | CLOSE COVER LABEL             |
| 62V2   | X1729062V2   | MACHINE ID LABEL CSA V2.02.12 |
| 63     | X1729063     | SHOP FOX LOGO                 |
| 64     | X1729064     | TAP SCREW #4-3/8"             |
| 65     | X1729065     | TENSION GAP LABEL             |
| 67     | X1729067     | BANDSAW ADJUST LABEL          |
| 68     | X1729068     | BLADE DIRECTION LABEL         |

# Blade Drive

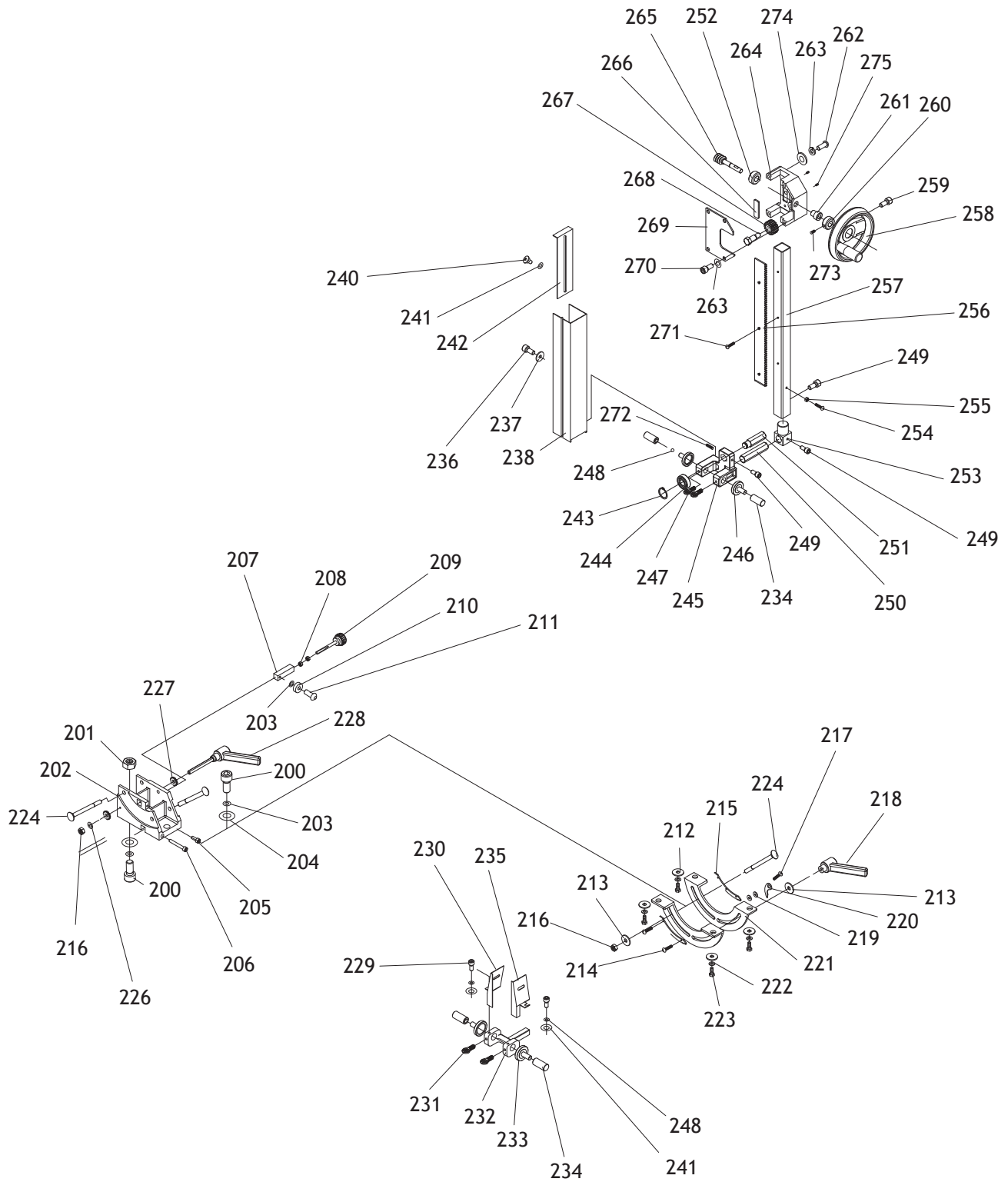


# Blade Drive Parts List

| REF | PART #   | DESCRIPTION             |
|-----|----------|-------------------------|
| 100 | X1729100 | TENSION SCALE           |
| 101 | X1729101 | POINTER                 |
| 102 | X1729102 | STEP SCREW M4-.7 X 6    |
| 103 | X1729103 | FLAT WASHER 6MM         |
| 104 | X1729104 | UPPER WHEEL SHAFT HINGE |
| 105 | X1729105 | UPPER WHEEL BRACKET     |
| 106 | X1729106 | ROLL PIN 5 X 35         |
| 107 | X1729107 | UPPER WHEEL SHAFT       |
| 108 | X1729108 | BUSHING                 |
| 109 | X1729109 | BALL BEARING 6204ZZ     |
| 110 | X1729110 | INT RETAINING RING 47MM |
| 111 | X1729111 | UPPER SHAFT             |
| 112 | X1729112 | HEX NUT M6-1            |
| 113 | X1729113 | CAP SCREW M6-1 X 50     |
| 114 | X1729114 | COMPRESSION SPRING      |
| 115 | X1729115 | BUSHING                 |
| 116 | X1729116 | ROLL PIN 3 X 16MM       |
| 117 | X1729117 | BLOCK                   |
| 118 | X1729118 | BEARING 51201           |
| 119 | X1729119 | CAP SCREW M8-1.25 X 16  |
| 120 | X1729120 | FLAT WASHER 8MM         |
| 121 | X1729121 | HANDWHEEL               |
| 122 | X1729122 | SET SCREW M6-1 X 10     |
| 123 | X1729123 | KNOB                    |
| 124 | X1729124 | LEVER ROD               |
| 125 | X1729125 | HEX NUT M12-1.75        |
| 126 | X1729126 | SHAFT                   |

| REF   | PART #     | DESCRIPTION              |
|-------|------------|--------------------------|
| 127   | X1729127   | TENSION LEVER SCREW      |
| 128   | X1729128   | LOCK WASHER 8MM          |
| 129   | X1729129   | BLOCK                    |
| 130   | X1729130   | CAP SCREW M6-1 X 25      |
| 131   | X1729131   | CAM                      |
| 132   | X1729132   | BRUSH                    |
| 133   | X1729133   | LOCK NUT M6-1            |
| 134   | X1729134   | FLAT WASHER 6MM          |
| 135   | X1729135   | HEX BOLT M6-1 X 25       |
| 136   | X1729136   | FLANGE SCREW M5-.8 X 10  |
| 137   | X1729137   | LOWER WHEEL SHAFT        |
| 138   | X1729138   | HEX NUT M8-1.0           |
| 139   | X1729139   | SET SCREW M8-1.25 X 20   |
| 140   | X1729140   | COVER                    |
| 141   | X1729141   | LOWER WHEEL              |
| 141-1 | X1729141-1 | TIRE                     |
| 145   | X1729145   | HEX NUT 1"-14            |
| 146   | X1729146   | LOCK WASHER 1"           |
| 147   | X1729147   | CAP SCREW M8-1.25 X 25   |
| 148   | X1729148   | LOCK WASHER 8MM          |
| 150   | X1729150   | FLAT WASHER 8MM          |
| 151   | X1729151   | SHAFT                    |
| 142   | X1729142   | IDLER WHEEL              |
| 152   | X1729152   | CAP SCREW M8-1.25 X 16   |
| 153   | X1729153   | UPPER WHEEL              |
| 154   | X1729154   | BLADE 143" X 3/4" 0.65MM |

# Blade Guide

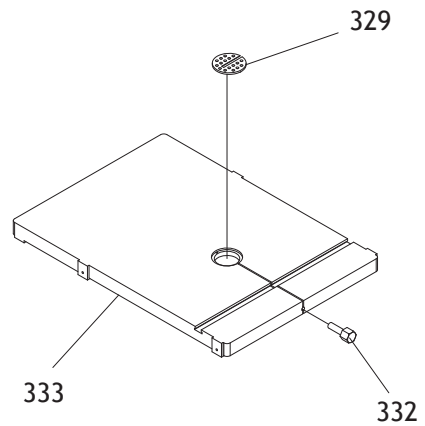
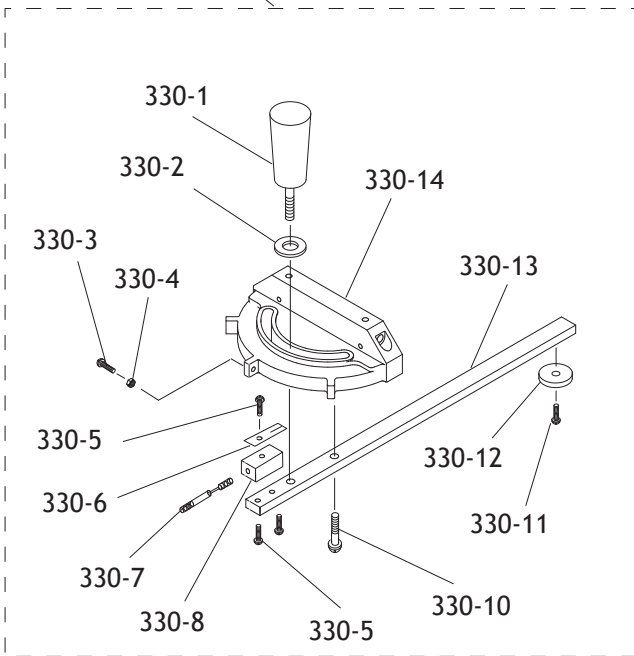
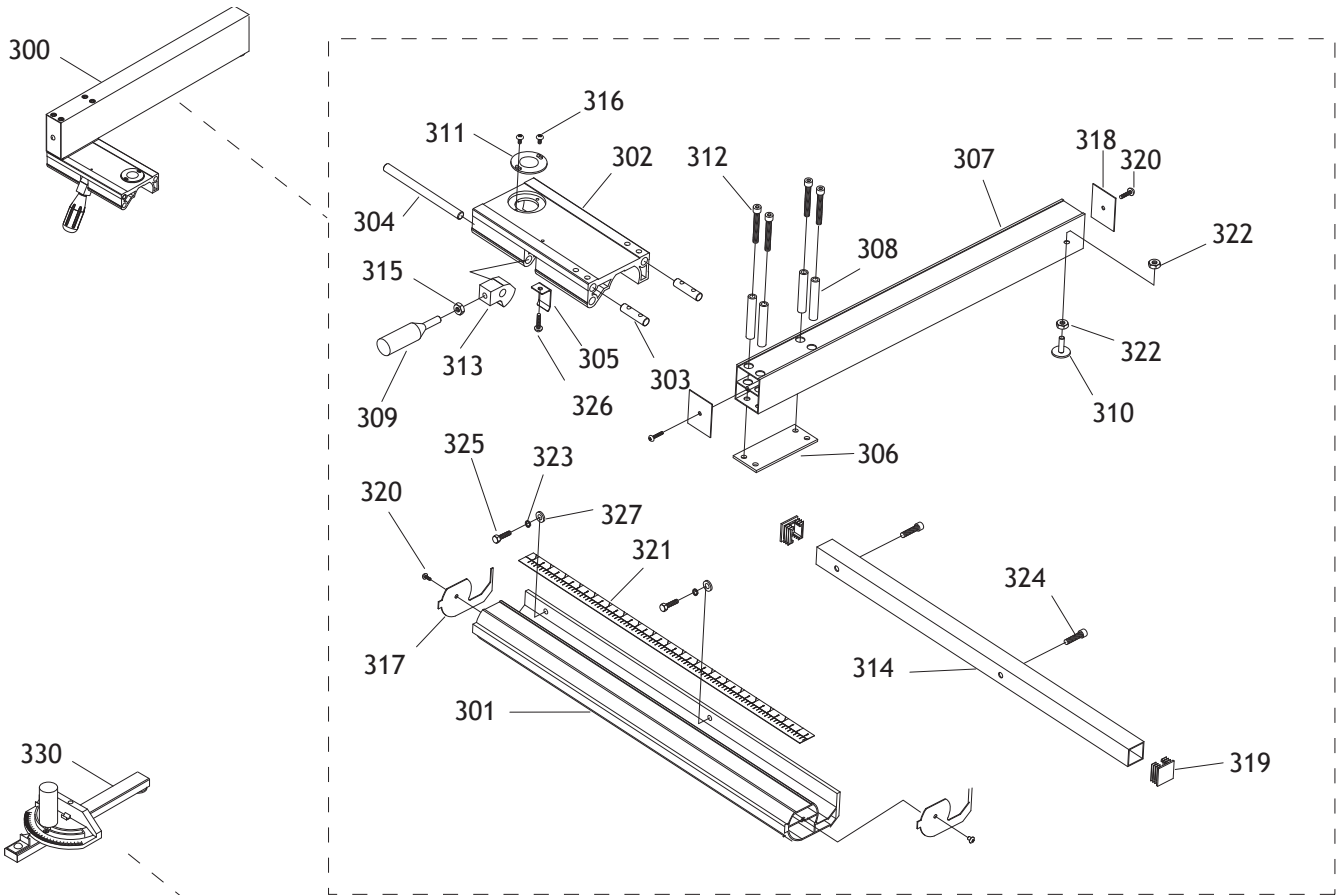


# Blade Guide Parts List

| REF | PART #   | DESCRIPTION                 |
|-----|----------|-----------------------------|
| 200 | X1729200 | CAP SCREW M10-1.5 X 35      |
| 201 | X1729201 | HEX NUT M10-1.5             |
| 202 | X1729202 | TRUNNION SUPPORT            |
| 203 | X1729203 | LOCK WASHER 10MM            |
| 204 | X1729204 | FLAT WASHER 10MM            |
| 205 | X1729205 | CAP SCREW M6-1 X 20         |
| 206 | X1729206 | CAP SCREW M6-1 X 50         |
| 207 | X1729207 | ADJUST BLOCK                |
| 208 | X1729208 | HEX NUT M6-1                |
| 209 | X1729209 | ADJUST BLOCK                |
| 210 | X1729210 | BALL BEARING 6000ZZ         |
| 211 | X1729211 | ADJUSTMENT SCR M10-1.5 X 20 |
| 212 | X1729212 | FLAT WASHER 8MM             |
| 213 | X1729213 | FLAT WASHER 8MM             |
| 214 | X1729214 | PHLP HD SCR M4-.7 X 6       |
| 215 | X1729215 | GEAR PLATE                  |
| 216 | X1729216 | LOCK NUT M8-1.25            |
| 217 | X1729217 | PHLP HD SCR M4-.7 X 6       |
| 218 | X1729218 | HANDLE                      |
| 219 | X1729219 | FLAT WASHER 4MM             |
| 220 | X1729220 | POINTER                     |
| 221 | X1729221 | TRUNNION PLATE              |
| 222 | X1729222 | LOCK WASHER 8MM             |
| 223 | X1729223 | HEX BOLT M8-1.25 X 16       |
| 224 | X1729224 | CARRIAGE BOLT M8-1.25 X 80  |
| 226 | X1729226 | LOCK WASHER 8MM             |
| 227 | X1729227 | SMALL GEAR                  |
| 228 | X1729228 | HANDLE                      |
| 229 | X1729229 | CAP SCREW M6-1 X 6          |
| 230 | X1729230 | LEFT COVER                  |
| 231 | X1729231 | THUMB SCREW M6-1 X 16       |
| 232 | X1729232 | LOWER GUIDE SUPPORT         |
| 233 | X1729233 | GUIDE RING                  |
| 234 | X1729234 | ADJUSTING SHAFT             |
| 235 | X1729235 | RIGHT COVER                 |
| 236 | X1729236 | HEX BOLT M5- X 10           |
| 237 | X1729237 | FLAT WASHER 5MM             |

| REF | PART #   | DESCRIPTION                 |
|-----|----------|-----------------------------|
| 238 | X1729238 | PROTECT COVER ASSY          |
| 240 | X1729240 | STEP SCREW                  |
| 241 | X1729241 | PLASTIC WASHER 6.5MM        |
| 242 | X1729242 | SLIDING PLATE               |
| 243 | X1729243 | EXT RETAINING RING 15MM     |
| 244 | X1729244 | BALL BEARING 6202           |
| 245 | X1729245 | UPPER GUIDE SUPPORT         |
| 246 | X1729246 | GUIDE RING                  |
| 247 | X1729247 | THUMB KNOB M6-1 X 16        |
| 248 | X1729248 | STEEL BALL 5MM              |
| 249 | X1729249 | CAP SCREW M6-1 X 16         |
| 250 | X1729250 | ADJUSTING BAR               |
| 251 | X1729251 | UPPER SPACING SLEEVE        |
| 252 | X1729252 | BUSHING                     |
| 253 | X1729253 | UPPER GUIDE BLOCK           |
| 254 | X1729254 | PHLP HD SCR M4-.7 X 10      |
| 255 | X1729255 | HEX NUT M4-.7               |
| 256 | X1729256 | RACK                        |
| 257 | X1729257 | UPPER GUIDE TUBE            |
| 258 | X1729258 | HANDWHEEL                   |
| 259 | X1729259 | CAP SCREW M6-1 X 20         |
| 260 | X1729260 | LOCATE BUSHING              |
| 261 | X1729261 | BUSHING                     |
| 262 | X1729262 | CAP SCREW M8-1.25 X 20      |
| 263 | X1729263 | LOCK WASHER 8MM             |
| 264 | X1729264 | GUIDE BRACKET               |
| 265 | X1729265 | WORM SHAFT                  |
| 266 | X1729266 | FIXED PLATE                 |
| 267 | X1729267 | GEAR                        |
| 268 | X1729268 | FIXED BOLT                  |
| 269 | X1729269 | COVER                       |
| 270 | X1729270 | CAP SCREW M8-1.25 X 16      |
| 271 | X1729271 | FLAT HD SCREW M4-.7 X 8     |
| 273 | X1729273 | SET SCREW M5-.8 X 5         |
| 272 | X1729272 | SET SCREW M6-1 X 16         |
| 274 | X1729274 | FLAT WASHER 8MM             |
| 275 | X1729275 | SET SCREW M7-1 X 10 PLASTIC |

# Fence and Miter



# Fence and Miter Parts List

| REF | PART #   | DESCRIPTION            |
|-----|----------|------------------------|
| 300 | X1729300 | FENCE ASSEMBLY         |
| 301 | X1729301 | LARGE FENCE RAIL       |
| 302 | X1729302 | ADJUSTABLE BASE        |
| 303 | X1729303 | FIXED SHAFT            |
| 304 | X1729304 | SHAFT                  |
| 305 | X1729305 | SPRING PIECE           |
| 306 | X1729306 | BRACKET                |
| 307 | X1729307 | SUPPORT TUBE           |
| 308 | X1729308 | INTERVAL SHEATH        |
| 309 | X1729309 | HANDLE                 |
| 310 | X1729310 | ADJUSTABLE RUNNER      |
| 311 | X1729311 | CONVEX WINDOW          |
| 312 | X1729312 | CAP SCREW M6-1 X 100   |
| 313 | X1729313 | LOCK MECHANISM         |
| 314 | X1729314 | SMALL FENCE RAIL       |
| 315 | X1729315 | HEX NUT M8-1.25        |
| 316 | X1729316 | FLANGE SCREW M4-.7 X 6 |
| 317 | X1729317 | LARGE RAIL CAP         |
| 318 | X1729318 | FENCE CAP              |
| 319 | X1729319 | SMALL RAIL CAP         |
| 320 | X1729320 | TAP SCREW M3.5 X 8     |
| 321 | X1729321 | SCALE                  |
| 322 | X1729322 | HEX NUT M6-1           |

| REF    | PART #      | DESCRIPTION             |
|--------|-------------|-------------------------|
| 323    | X1729323    | LOCK WASHER 6MM         |
| 324    | X1729324    | CAP SCREW M6-1 X 16     |
| 325    | X1729325    | HEX BOLT M6-1 X 20      |
| 326    | X1729326    | FLANGE SCREW M4-.7 X 8  |
| 327    | X1729327    | FLAT WASHER 6MM         |
| 329    | X1729329    | INSERT                  |
| 330    | X1729330    | MITER GAUGE ASSEMBLY    |
| 330-1  | X1729330-1  | HANDLE 5/16-18 X 1      |
| 330-2  | X1729330-2  | FLAT WASHER 5/16        |
| 330-3  | X1729330-3  | PHLP HD SCR M4-.7 X 16  |
| 330-4  | X1729330-4  | HEX NUT M4-.7           |
| 330-5  | X1729330-5  | PHLP HD SCR 10-24 X 1/4 |
| 330-6  | X1729330-6  | CLEAR POINTER           |
| 330-7  | X1729330-7  | LOCK PIN                |
| 330-8  | X1729330-8  | POINTER BLOCK           |
| 330-10 | X1729330-10 | FLANGE BOLT 10-24 X 3/8 |
| 330-11 | X1729330-11 | PHLP HD SCR 10-24 X 1/4 |
| 330-12 | X1729330-12 | MITER SLOT WASHER       |
| 330-13 | X1729330-13 | MITER BAR               |
| 330-14 | X1729330-14 | MITER BODY              |
| 332    | X1729332    | TABLE PIN               |
| 333    | X1729333    | TABLE                   |