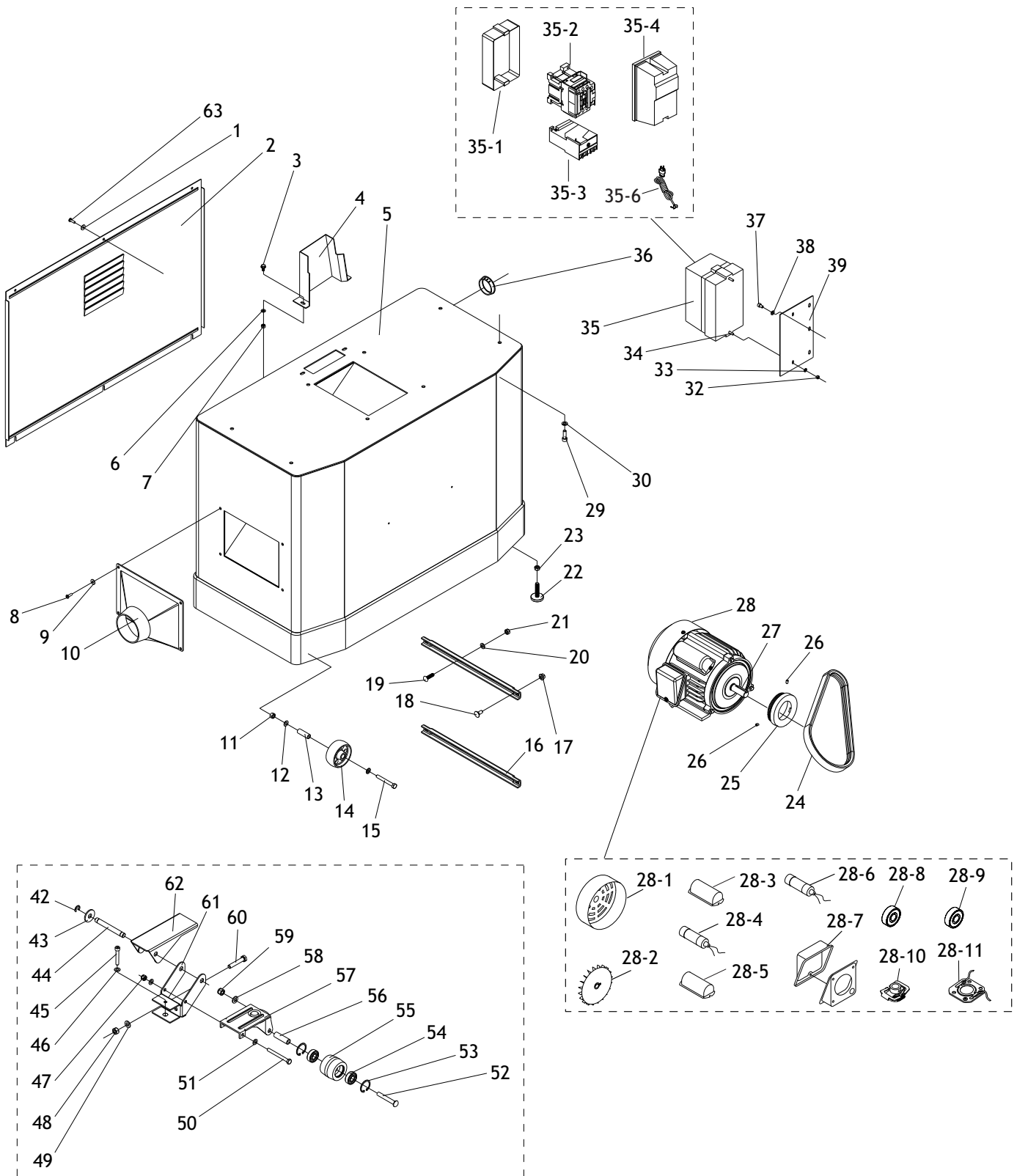


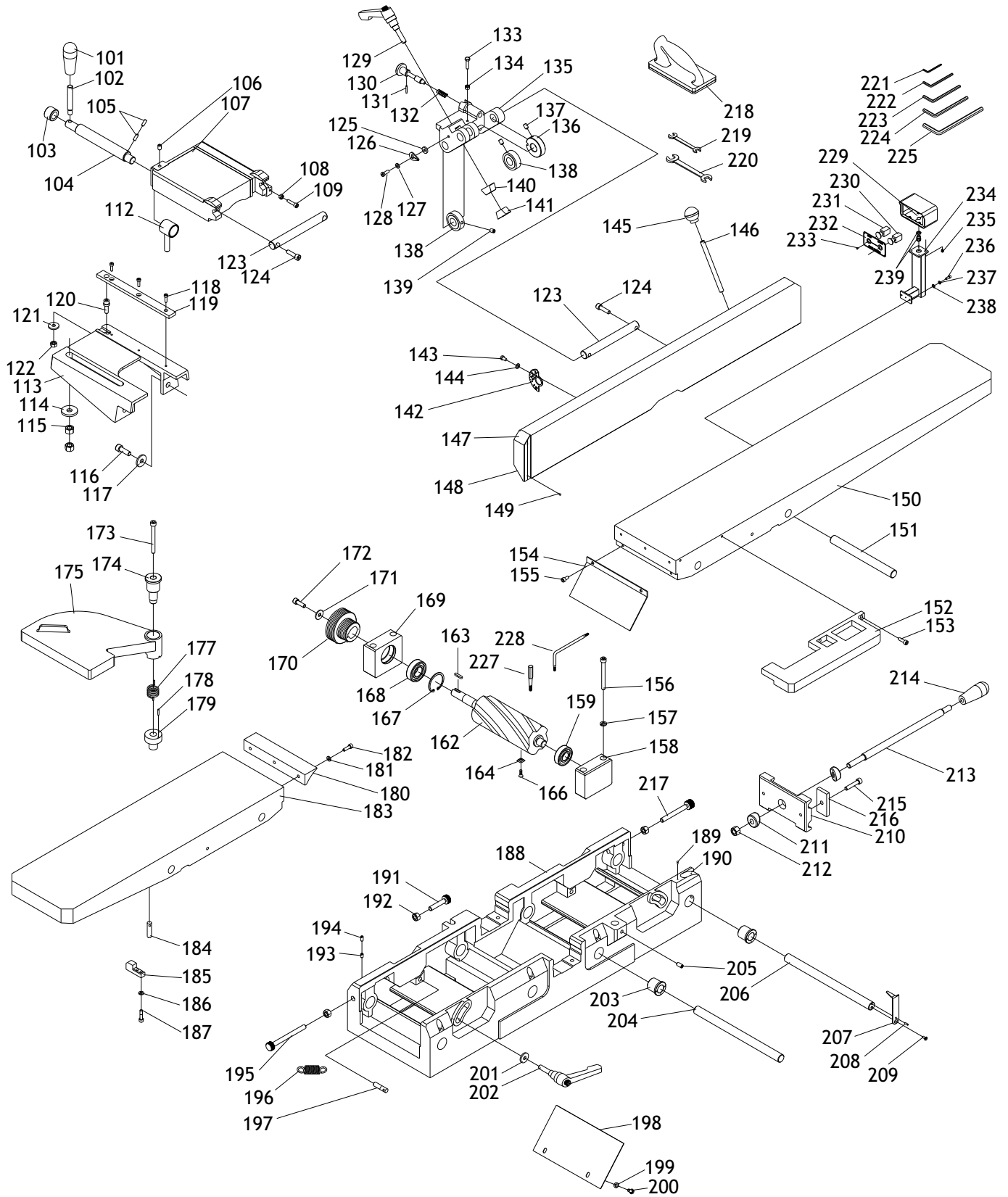
Stand



Stand Parts List

REF	PART #	DESCRIPTION	REF	PART #	DESCRIPTION
1	X1741H001	FLAT WASHER 5MM	28-11	X1741H028-11	CONTACT PLATE 16MM
2	X1741H002	PANEL	29	X1741H029	CAP SCREW M8-1.25 X 25
3	X1741H003	FLANGE SCREW M6-1 X 12	30	X1741H030	LOCK WASHER 8MM
4	X1741H004	BELT GUARD	32	X1741H032	HEX NUT M5-.8
5	X1741H005	CABINET	33	X1741H033	FLAT WASHER 5MM
6	X1741H006	FLAT WASHER 6MM	34	X1741H034	PHLP HD SCR M5-.8 X 20
7	X1741H007	HEX NUT M6-1	35	X1741H035	MAGNETIC SWITCH ASSEMBLY
8	X1741H008	PHLP HD SCR M5-.8 X 16	35-1	X1741H035-1	MAG SWITCH COVER ASSEMBLY
9	X1741H009	FLAT WASHER 5MM	35-2	X1741H035-2	CONTACTOR NHD 09D 230V
10	X1741H010	DUST HOOD	35-3	X1741H035-3	OL RELAY NHD NTH-17 14-17A
11	X1741H011	HEX NUT M8-1.25	35-4	X1741H035-4	MAG SWITCH COVER ASSEMBLY
12	X1741H012	FLAT WASHER 8MM	35-6	X1741H035-6	POWER CORD 12G 3W 72" 6-20P
13	X1741H013	SLEEVE	36	X1741H036	STRAIN RELIEF
14	X1741H014	WHEEL	37	X1741H037	CAP SCREW M6-1 X 10
15	X1741H015	HEX BOLT M8-1.25 X 65	38	X1741H038	FLAT WASHER 6MM
16	X1741H016	MOTOR BRACKET	39	X1741H039	SWITCH PLATE
17	X1741H017	MOTOR BRACKET NUT	42	X1741H042	EXT RETAINING RING 9MM
18	X1741H018	MOTOR BRACKET SCREW	43	X1741H043	FLAT WASHER 12MM
19	X1741H019	MOTOR CARRIAGE SCREW	44	X1741H044	SHAFT 12MM
20	X1741H020	MOTOR CARRIAGE WASHER	45	X1741H045	HEX BOLT M8-1.25 X 50
21	X1741H021	MOTOR CARRIAGE NUT	46	X1741H046	FLAT WASHER 8MM
22	X1741H022	ADJUSTING SCREW	47	X1741H047	HEX NUT M8-1.25
23	X1741H023	HEX NUT 3/8-16	48	X1741H048	HEX NUT M10-1.5
24	X1741H024	RIBBED V-BELT 8PK-1172	49	X1741H049	FLAT WASHER 10MM
25	X1741H025	MOTOR PULLEY ALUM	50	X1741H050	HEX BOLT M8-1.25 X 100
26	X1741H026	SET SCREW M6-1 X 6	51	X1741H051	FLAT WASHER 8MM
27	X1741H027	KEY 5 X 5 X 30	52	X1741H052	TROLLEY WHEEL BOLT
28	X1741H028	MOTOR 3HP 240V 1-PH	53	X1741H053	INT RETAINING RING 35MM
28-1	X1741H028-1	MOTOR FAN COVER	54	X1741H054	BALL BEARING 6202Z
28-2	X1741H028-2	MOTOR FAN	55	X1741H055	TROLLEY WHEEL
28-3	X1741H028-3	CAPACITOR COVER	56	X1741H056	SLEEVE
28-4	X1741H028-4	S CAPACITOR 200M 250V	57	X1741H057	TROLLEY UNIVERSAL KIT
28-5	X1741H028-5	CAPACITOR COVER	58	X1741H058	FLAT WASHER 10MM
28-6	X1741H028-6	R CAPACITOR 30M 450V	59	X1741H059	HEX NUT M10-1.5
28-7	X1741H028-7	MOTOR JUNCTION BOX	60	X1741H060	HEX BOLT M10-1.5 X 55
28-8	X1741H028-8	BALL BEARING 6204ZZ	61	X1741H061	PEDAL BRACKET
28-9	X1741H028-9	BALL BEARING 6203ZZ	62	X1741H062	PEDAL
28-10	X1741H028-10	CENTRIFUGAL SWITCH 16MM 3450	63	X1741H063	PHLP HD SCR M5-.8 X 16

Jointer



Jointer Parts List

REF	PART #	DESCRIPTION
101	X1741H101	KNOB M10-1.5
102	X1741H102	STANDOFF STUD
103	X1741H103	BUSHING
104	X1741H104	ECCENTRIC SHAFT
105	X1741H105	SET SCREW M6-1 X 16
106	X1741H106	SET SCREW M8-1.25 X 12
107	X1741H107	FENCE CARRIAGE
108	X1741H108	HEX NUT M6-1
109	X1741H109	HEX BOLT M6-1 X 25
112	X1741H112	COLLAR
113	X1741H113	SUPPORT
114	X1741H114	FLAT WASHER 12MM
115	X1741H115	HEX NUT M12-1.75
116	X1741H116	CAP SCREW M10-1.5 X 30
117	X1741H117	FLAT WASHER 10MM
118	X1741H118	CAP SCREW M5-.8 X 16
119	X1741H119	GIB
120	X1741H120	ECCENTRIC SHOULDER STUD
121	X1741H121	FLAT WASHER 8MM
122	X1741H122	HEX NUT M8-1.25
123	X1741H123	SHAFT
124	X1741H124	CAP SCREW M8-1.25 X 30
125	X1741H125	FLAT WASHER 6MM
126	X1741H126	POINTER
127	X1741H127	FLAT WASHER 6MM
128	X1741H128	BUTTON HD CAP SCR M6-1 X 16
129	X1741H129	LOCK LEVER M10-1.5 X 35
130	X1741H130	INDEX PIN ASSEMBLY
131	X1741H131	ROLL PIN 3 X 20
132	X1741H132	COMPRESSION SPRING
133	X1741H133	HEX BOLT M6-1 X 25
134	X1741H134	HEX NUT M6-1
135	X1741H135	SWIVEL
136	X1741H136	COLLAR
137	X1741H137	SET SCREW M8-1.25 X 12
138	X1741H138	LOCK
139	X1741H139	SET SCREW M8-1.25 X 12
140	X1741H140	CLAMP
141	X1741H141	THREAD CLAMP
142	X1741H142	TILT SCALE
143	X1741H143	PHLP HD SCR M6-1 X 10
144	X1741H144	FLAT WASHER 6MM
145	X1741H145	BALL KNOB M10-1.5
146	X1741H146	STUD-DE M10-1.5 X 130 10/10
147	X1741H147	FENCE
148	X1741H148	SCALE
149	X1741H149	RIVET
150	X1741H150	INFEED TABLE
151	X1741H151	TABLE SHAFT
152	X1741H152	TABLE EXTENSION
153	X1741H153	CAP SCREW M6-1 X 20
154	X1741H154	CHIP DEFLECTOR

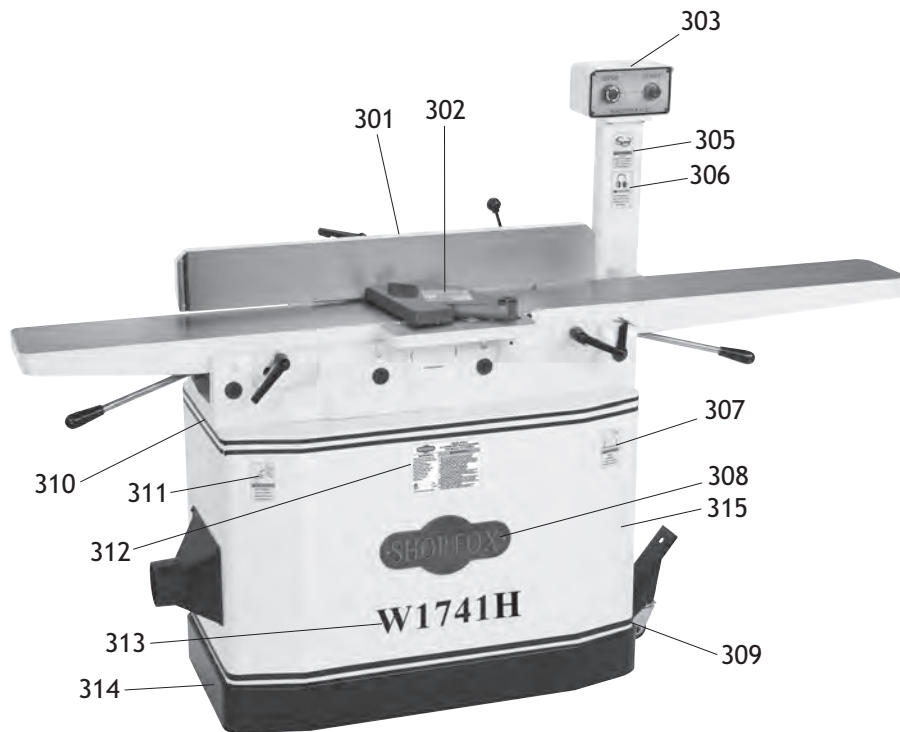
REF	PART #	DESCRIPTION
155	X1741H155	CAP SCREW M6-1 X 12
156	X1741H156	CAP SCREW M8-1.25 X 80
157	X1741H157	LOCK WASHER 8MM
158	X1741H158	BEARING BLOCK LH
159	X1741H159	BALL BEARING 6004-2RS
162	X1741H162	HELICAL CUTTERHEAD 8"
163	X1741H163	KEY 6 X 6 X 35
164	X1741H164	INDEXABLE INSERT 15 X 15 X 2.5MM 10-PK
166	X1741H166	FLAT HD TORX SCR T20 M6-1 X 15
167	X1741H167	INT RETAINING RING 47MM
168	X1741H168	BALL BEARING 6005 2RS
169	X1741H169	BEARING BLOCK RH
170	X1741H170	CUTTERHEAD PULLEY ALUM
171	X1741H171	FLAT WASHER 8MM
172	X1741H172	CAP SCREW M8-1.25 X 25
173	X1741H173	CAP SCREW M8-1.25 X 80
174	X1741H174	GUARD CLAMP
175	X1741H175	CUTTERHEAD GUARD
177	X1741H177	TORSION SPRING
178	X1741H178	ROLL PIN 3 X 16
179	X1741H179	SUPPORT
180	X1741H180	TABLE LIP
181	X1741H181	FLAT WASHER 6MM
182	X1741H182	CAP SCREW M6-1 X 20
183	X1741H183	OUTFEED TABLE
184	X1741H184	SPRING PIN
185	X1741H185	BUMPER
186	X1741H186	LOCK WASHER 6MM
187	X1741H187	CAP SCREW M6-1 X 25
188	X1741H188	BASE
189	X1741H189	RIVET
190	X1741H190	SCALE
191	X1741H191	SHORT ADJUSTING SCREW
192	X1741H192	HEX NUT M10-1.5
193	X1741H193	SET SCREW M6-1 X 10
194	X1741H194	SET SCREW M6-1 X 10
195	X1741H195	LONG ADJUSTING SCREW
196	X1741H196	EXTENSION SPRING
197	X1741H197	SPRING PIN
198	X1741H198	CHIP BREAKER
199	X1741H199	FLAT WASHER 6MM
200	X1741H200	HEX BOLT M6-1 X 12
201	X1741H201	FLAT WASHER 8MM
202	X1741H202	TABLE LOCK LEVER M8-1.25 X 30
203	X1741H203	ECCENTRIC BUSHING
204	X1741H204	TABLE SHAFT
205	X1741H205	SET SCREW M8-1.25 X 16
206	X1741H206	TABLE SHAFT
207	X1741H207	POINTER
208	X1741H208	ROLL PIN 3 X 10
209	X1741H209	FLAT HD SCR M4-.7 X 10
210	X1741H210	PIVOT BRACKET

Jointer Parts List

REF	PART #	DESCRIPTION
211	X1741H211	ADJUSTING BLOCK
212	X1741H212	HEX NUT M12-1.75
213	X1741H213	LEVER
214	X1741H214	HANDLE KNOB M12-1.75
215	X1741H215	CAP SCREW M8-1.25 X 40
216	X1741H216	CLAMP PLATE
217	X1741H217	MEDIUM ADJUSTING SCREW
218	X1741H218	PUSH BLOCK
219	X1741H219	WRENCH 8 X 10MM OPEN-ENDS
220	X1741H220	WRENCH 12 X 14MM OPEN-ENDS
221	X1741H221	HEX WRENCH 2.5MM
222	X1741H222	HEX WRENCH 4MM
223	X1741H223	HEX WRENCH 5MM
224	X1741H224	HEX WRENCH 6MM

REF	PART #	DESCRIPTION
225	X1741H225	HEX WRENCH 8MM
227	X1741H227	DRIVER BIT TORX T20
228	X1741H228	L-WRENCH TORX T20
229	X1741H229	SWITCH BOX
230	X1741H230	START BUTTON
231	X1741H231	STOP BUTTON
232	X1741H232	CONTROL PANEL FACE
233	X1741H233	TAP SCREW M4 X 8
234	X1741H234	SWITCH PEDESTAL ARM
235	X1741H235	FLANGE SCREW M6-1 X 16
236	X1741H236	CAP SCREW M10-1.5 X 25
237	X1741H237	LOCK WASHER 10MM
238	X1741H238	FLAT WASHER 10MM
239	X1741H239	BALL STRAIN RELIEF

Labels & Cosmetics



REF	PART #	DESCRIPTION
301	X1741H301	FENCE/CUTTERHEAD LABEL
302	X1741H302	CUTTERHEAD GUARD LABEL
303	X1741H303	ELECTRICITY LABEL
305	X1741H305	SAFETY GLASSES LABEL
306	X1741H306	HEARING PROTECTION LABEL
307	X1741H307	READ MANUAL LABEL
308	X1741H308	SHOP FOX NAMEPLATE-LARGE

REF	PART #	DESCRIPTION
309	X1741H309	ONE LINE STRIPING
310	X1741H310	TWO LINE STRIPING
311	X1741H311	UNPLUG 220V POWER LABEL
312	X1741H312	MACHINE ID LABEL
313	X1741H313	MODEL NUMBER LABEL
314	X1741H314	BLACK TOUCH UP PAINT
315	X1741H315	SF WHITE TOUCH UP PAINT