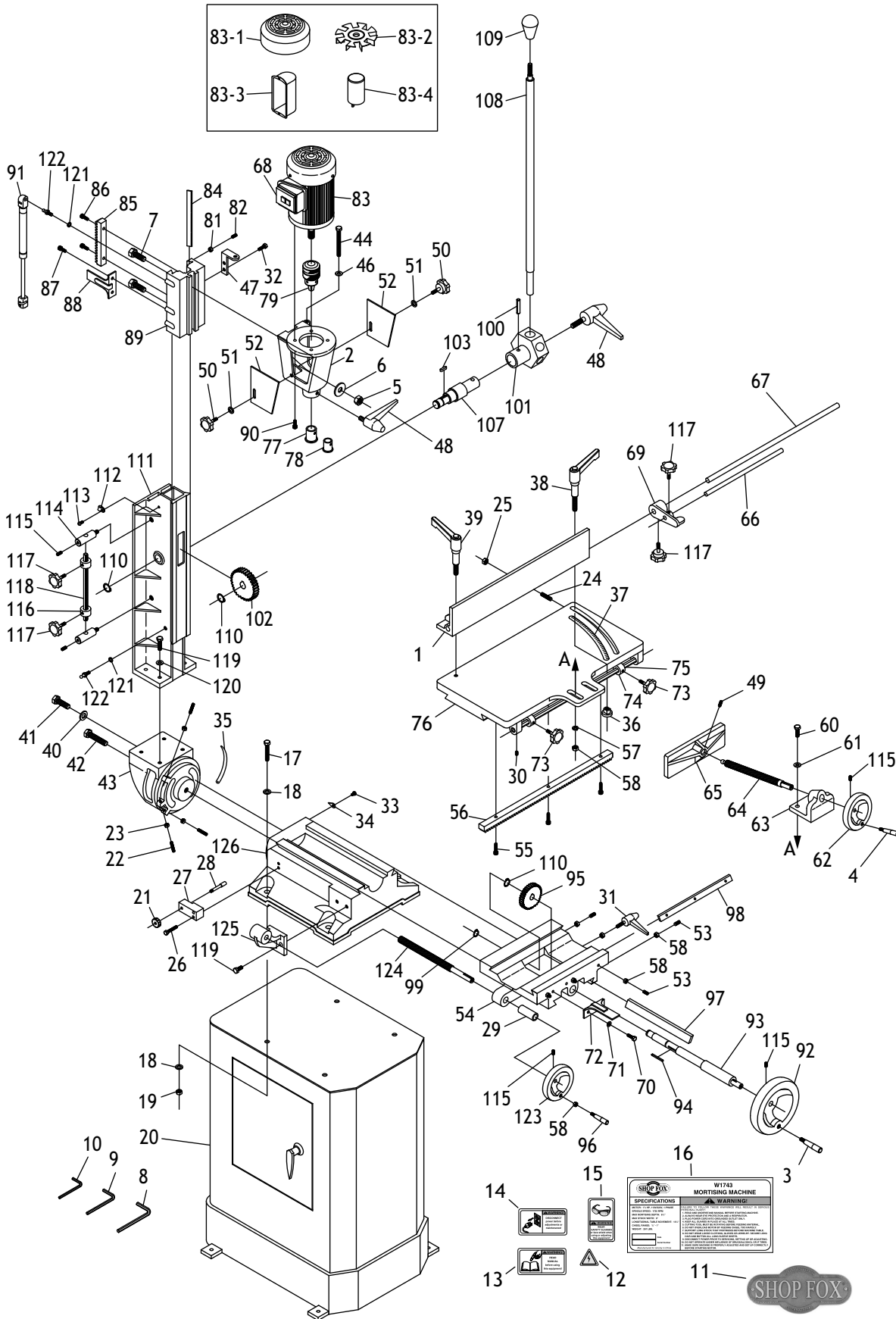


# W1743 Breakdown



# Parts List

REF	PART #	DESCRIPTION
1	X1743001	FENCE
2	X1743002	HEAD
3	X1743003	HANDLE
4	X1743004	HANDLE
5	XPN13	HEX NUT 1/2-13
6	XPW01	FLAT WASHER 1/2
7	XPB55	HEX BOLT 1/2-13 X 1 1/2
8	XPAW05M	HEX WRENCH 5MM
9	XPAW04M	HEX WRENCH 4MM
10	XPAW03M	HEX WRENCH 3MM
11	X1743011	SHOP FOX LOGO PLATE
12	XLABEL-14	ELECTRICITY LABEL
13	XLABEL-12	READ MANUAL 2 X 3 5/16
14	XLABEL-26	UNPLUG 110V 2 X 3 5/16
15	XLABEL-11	SAFETY GLASSES 2 X 3 5/16
16	X1743016	MACHINE ID LABEL
17	XPB06	HEX BOLT 5/16-18 X 2
18	XPW07	FLAT WASHER 5/16
19	XPN02	HEX NUT 5/16-18
20	X1743020	CABINET STAND
21	X1743021	SPECIAL KNOB
22	X1743022	SET SCREW 1/4-20 X 1
23	XPN05	HEX NUT 1/4-20
24	X1743024	SET SCREW 1/4-20 X 1
25	XPN05	HEX NUT 1/4-20
26	XPSB03	CAP SCREW 5/16-18 X 1
27	X1743027	BAR
28	X1743028	PIN
29	X1743029	SLEEVE
30	XPSS03	SET SCREW 1/4-20 X 3/8
31	X1743031	LOCK HANDLE M8-1.25 X 35
32	XPB03	HEX BOLT 5/16-18 X 1
33	XPS06	PHLP HD SCR 10-24 X 3/8
34	X1743034	POINTER
35	X1743035	SCALE
36	X1743036	SPECIAL NUT M10-1.5
37	X1743037	SCALE
38	X1743038	LOCK HANDLE M10-1.5 X 45
39	X1743039	LOCK HANDLE M10-1.5 X 45
40	XPW01	FLAT WASHER 1/2
41	XPB27	HEX BOLT 1/2-13 X 2 1/2
42	XPB56	HEX BOLT 1/2-13 X 1 3/4
43	X1743043	BRACKET
44	XPB08	HEX BOLT 3/8-16 X 5
46	XPW02	FLAT WASHER 3/8
47	X1743047	ADJUSTING BRACKET
48	X1743048	LOCK HANDLE M8-1.25 X 30
49	XPSS06	SET SCREW 1/4-20 X 3/4
50	X1743050	KNOB 1/4-20 X 1/2
51	XPW06	FLAT WASHER 1/4

REF	PART #	DESCRIPTION
52	X1743052	CHUCK COVER
53	XPSS38	SET SCREW 5/16-18 X 5/8
54	X1743054	SLIDE BODY
55	XPSB09	CAP SCREW 5/16-18 X 5/8
56	X1743056	RACK
57	XPLW01	LOCK WASHER 5/16
58	XPN02	HEX NUT 5/16-18
60	XPB22	HEX BOLT 5/16-18 X 1 3/4
61	XPW07	FLAT WASHER 5/16
62	X1743062	HANDWHEEL
63	X1743063	WISE BODY
64	X1743064	SCREW ROD
65	X1743065	WISE PLATE
66	X1743066	LONG STOP BAR B
67	X1743067	LONG STOP BAR A
68	X1743068	SWITCH
69	X1743069	LONG STOP BODY
70	XPSB01	CAP SCREW 1/4-20 X 5/8
71	XPLW02	LOCK WASHER 1/4
72	X1743072	LONG STOP PLATE
73	X1743073	KNOB 5/16-18 X 3/4
74	X1743074	ADJUSTING SLEEVE
75	X1743075	THREADED SHAFT
76	X1743076	TABLE
77	X1743077	BUSHING 3/4
78	X1743078	BUSHING 5/8
79	X1743079	CHUCK 13MM X 20 UNF
81	XPN02	HEX NUT 5/16-18
82	XPSS18	SET SCREW 5/16-18 X 3/4
83	X1743041	MOTOR 13MM X 20 UNF SHAFT
83-1	X1743083-1	FAN COVER
83-2	X1743083-2	FAN
83-3	X1743083-3	CAPACITOR COVER
83-4	XPC050B	CAPACITOR 50M 350VAC
84	X1743084	GIB
85	X1743085	RACK
86	XPS12	PHLP HD SCR 1/4-20 X 5/8
87	XPS02	PHLP HD SCR 1/4-20 X 3/4
88	X1743088	STOP PLATE
89	X1743089	HEAD BODY
90	XPS19	PHLP HD SCR 1/4-20 X 1
91	X1743091	GAS SPRING
92	X1743092	HANDWHEEL
93	X1743093	GEAR SHAFT
94	XPK08M	KEY 5 X 5 X 16
95	X1743095	GEAR
96	X1743096	HANDLE
97	X1743097	GIB
98	X1743098	GIB
99	XPR05M	EXT RETAINING RING 15MM

REF	PART #	DESCRIPTION
100	XPSS03	SET SCREW 1/4-20 X 3/8
101	X1743101	HANDLE BODY
102	X1743102	GEAR
103	X1743103	SHAFT KEY
107	X1743107	HANDLE SHAFT
108	X1743108	HANDLE
109	X1743109	HANDLE GRIP
110	XPR08M	EXT RETAINING RING 19MM
111	X1743111	COLUMN
112	X1743112	CORD CLAMP
113	XPS07	PHLP HD SCR 1/4-20 X 3/8
114	X1743114	BAR

REF	PART #	DESCRIPTION
115	XPSS03	SET SCREW 1/4-20 X 3/8
116	X1743116	ADJUSTING SLEEVE
117	X1743117	KNOB 5/16-18 X 3/4
118	X1743118	DEPTH STOP BAR
119	XPB12	HEX BOLT 5/16-18 X 1 1/4
120	XPW07	FLAT WASHER 5/16
121	XPLW01	LOCK WASHER 5/16
122	X1743122	BALL FITTING
123	X1743123	HANDWHEEL
124	X1743124	ROD SCREW
125	X1743125	ADJUSTING BAR
126	X1743126	BASE