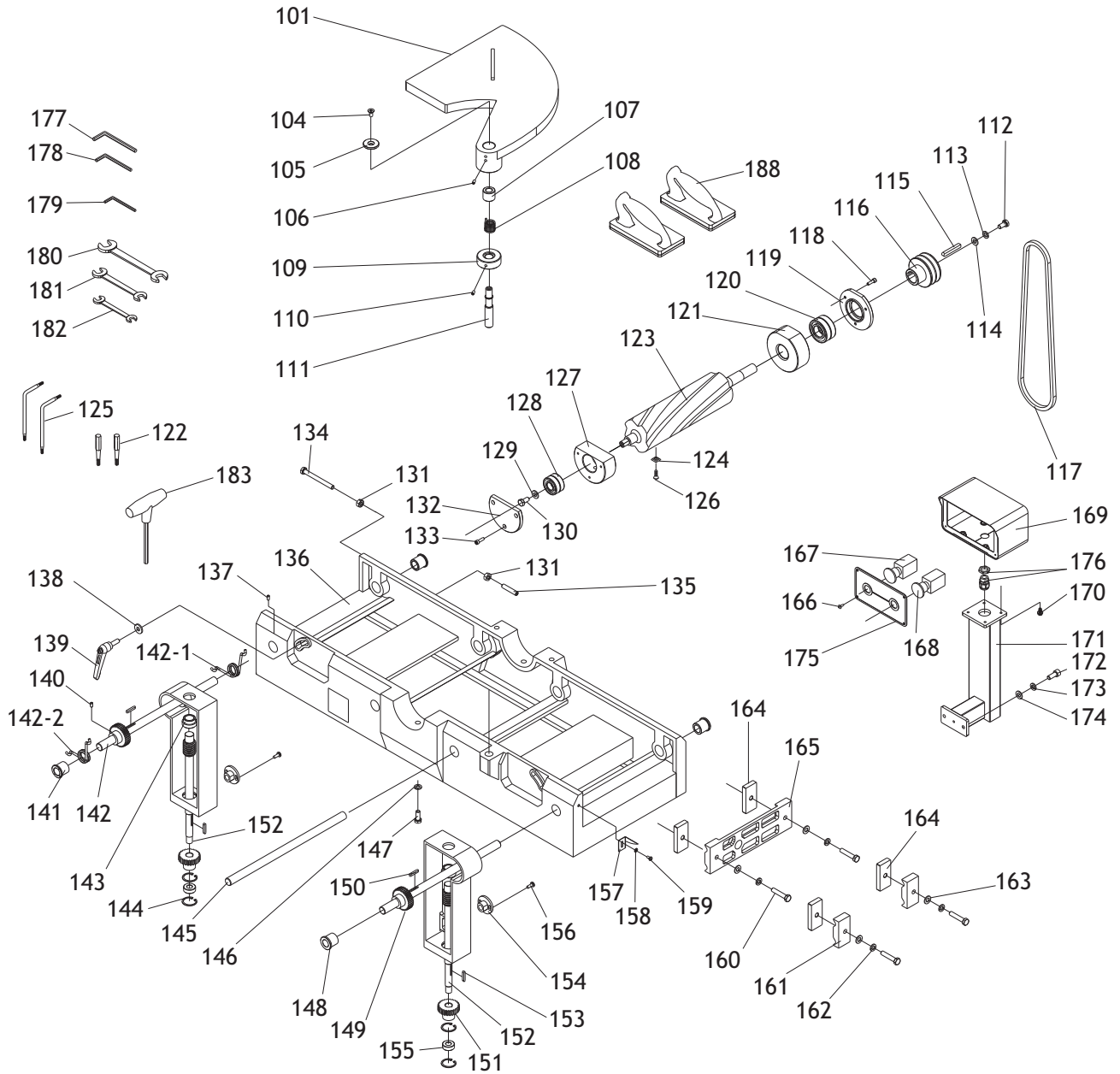


PARTS

Base

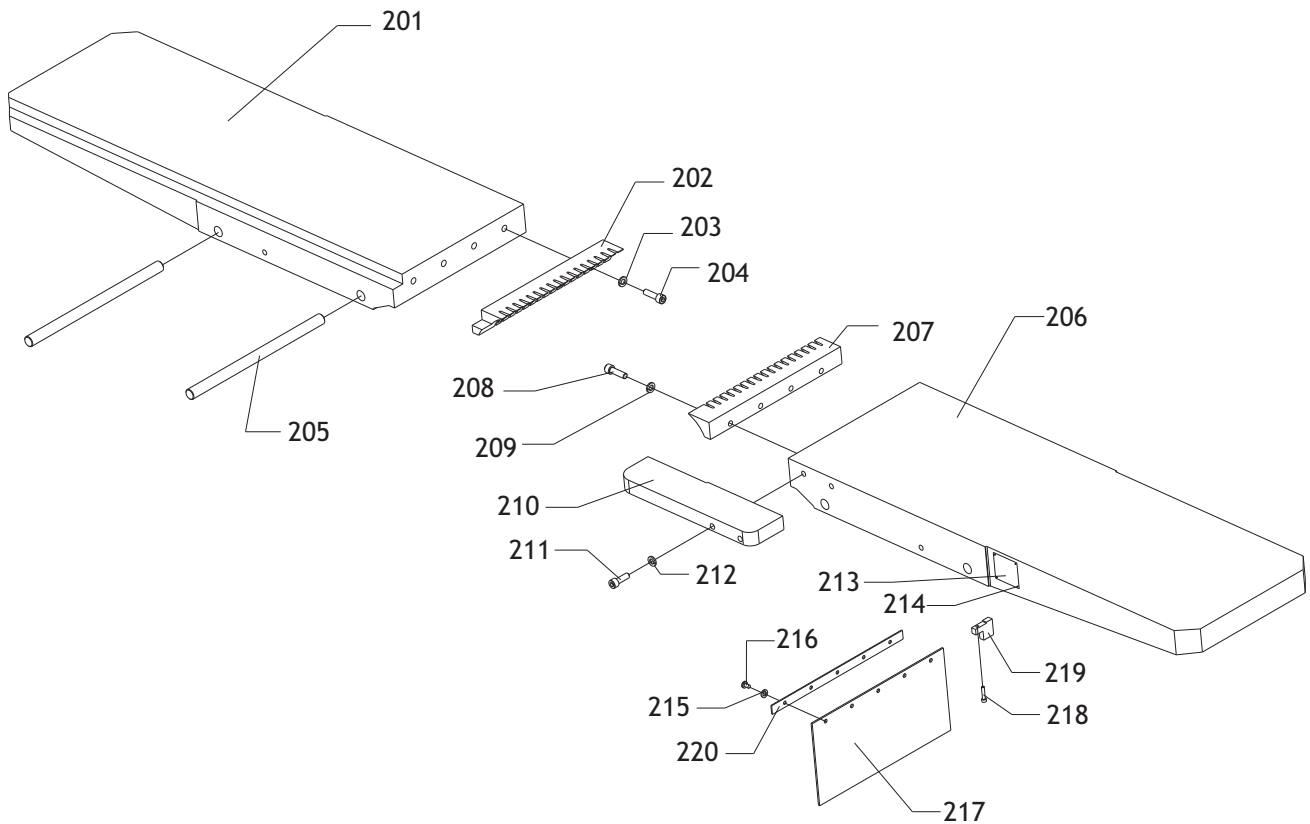


Base Parts List

REF	PART #	DESCRIPTION
101	X1744H101	CUTTERHEAD GUARD
104	X1744H104	FLAT HD SCR M8-1.25 X 16
105	X1744H105	CUTTERHEAD GUARD FLAT WASHER
106	X1744H106	SET SCREW M6-1 X 12
107	X1744H107	ADAPTER
108	X1744H108	TORSION SPRING 28 X 26 X 2.5
109	X1744H109	SHAFT COLLAR
110	X1744H110	SET SCREW M6-1 X 12
111	X1744H111	SHAFT
112	X1744H112	CUTTERHEAD SCREW
113	X1744H113	LOCK WASHER 10MM
114	X1744H114	FLAT WASHER 10MM
115	X1744H115	KEY 8 X 8 X 60
116	X1744H116	CUTTERHEAD PULLEY ALUM
117	X1744H117	RIBBED V-BELT 8PK-1371
118	X1744H118	CAP SCREW M6-1 X 20
119	X1744H119	BEARING COVER
120	X1744H120	BALL BEARING 6206ZZ
121	X1744H121	BEARING SUPPORT
122	X1744H122	DRIVER BIT TORX T20
123	X1744H123	CUTTERHEAD 12" HELICAL
124	X1744H124	CARBIDE INSERT 15 X 15 X 2.5MM 10-PK
125	X1744H125	L-WRENCH TORX T20
126	X1744H126	FLAT HD TORX SCR T20 M6-1 X 15
127	X1744H127	BEARING SUPPORT
128	X1744H128	BALL BEARING 6204-2RS
129	X1744H129	FLAT WASHER 8MM
130	X1744H130	CUTTERHEAD SCREW
131	X1744H131	HEX NUT M10-1.5
132	X1744H132	BEARING COVER
133	X1744H133	CAP SCREW M6-1 X 20
134	X1744H134	HEX BOLT M10-1.5 X 150
135	X1744H135	SET SCREW M10-1.5 X 60
136	X1744H136	BASE
137	X1744H137	SET SCREW M6-1 X 12
138	X1744H138	FLAT WASHER 10MM
139	X1744H139	LOCK HANDLE
140	X1744H140	SET SCREW M6-1 X 8
141	X1744H141	ECCENTRIC BUSHING
142	X1744H142	SHAFT
142-1	X1744H142-1	LEFT TORSION SPRING
142-2	X1744H142-2	RIGHT TORSION SPRING

REF	PART #	DESCRIPTION
143	X1744H143	STOP BLOCK
144	X1744H144	INT RETAINING RING 35MM
145	X1744H145	SHAFT
146	X1744H146	LOCK WASHER 10MM
147	X1744H147	HEX BOLT M10-1.5 X 25
148	X1744H148	BUSHING
149	X1744H149	WORM GEAR
150	X1744H150	KEY 5 X 5 X 30MM
151	X1744H151	GEAR
152	X1744H152	WORM
153	X1744H153	KEY 4 X 4 X 35
154	X1744H154	SLIDE STOP BLOCK
155	X1744H155	BALL BEARING 6202-2RS
156	X1744H156	BASE FLAT SCREW
157	X1744H157	POINTER
158	X1744H158	FLAT WASHER 5MM
159	X1744H159	PHLP HD SCR M5-.8 X 10
160	X1744H160	HEX BOLT M10-1.5 X 50
161	X1744H161	CLAMP BLOCK
162	X1744H162	LOCK WASHER 10MM
163	X1744H163	FLAT WASHER 10MM
164	X1744H164	CLAMPING BLOCK
165	X1744H165	CLAMP PLATE
166	X1744H166	PHLP HD SCR M4-.7 X 8
167	X1744H167	STOP BUTTON
168	X1744H168	START BUTTON
169	X1744H169	SWITCH BOX
170	X1744H170	FLANGE SCREW M8-1.25 X 16
171	X1744H171	SWITCH BOX BRACKET
172	X1744H172	HEX BOLT M10-1.5 X 25
173	X1744H173	LOCK WASHER 10MM
174	X1744H174	FLAT WASHER 10MM
175	X1744H175	BUTTON PLATE
176	X1744H176	BALL STRAIN RELIEF
177	X1744H177	HEX WRENCH 10MM
178	X1744H178	HEX WRENCH 8MM
179	X1744H179	HEX WRENCH 3MM
180	X1744H180	WRENCH 17 X 19MM OPEN-ENDS
181	X1744H181	WRENCH 12 X 14MM OPEN-ENDS
182	X1744H182	WRENCH 10 X 12MM OPEN-ENDS
183	X1744H183	T-HANDLE HEX WRENCH 4MM
188	X1744H188	PUSH BLOCK

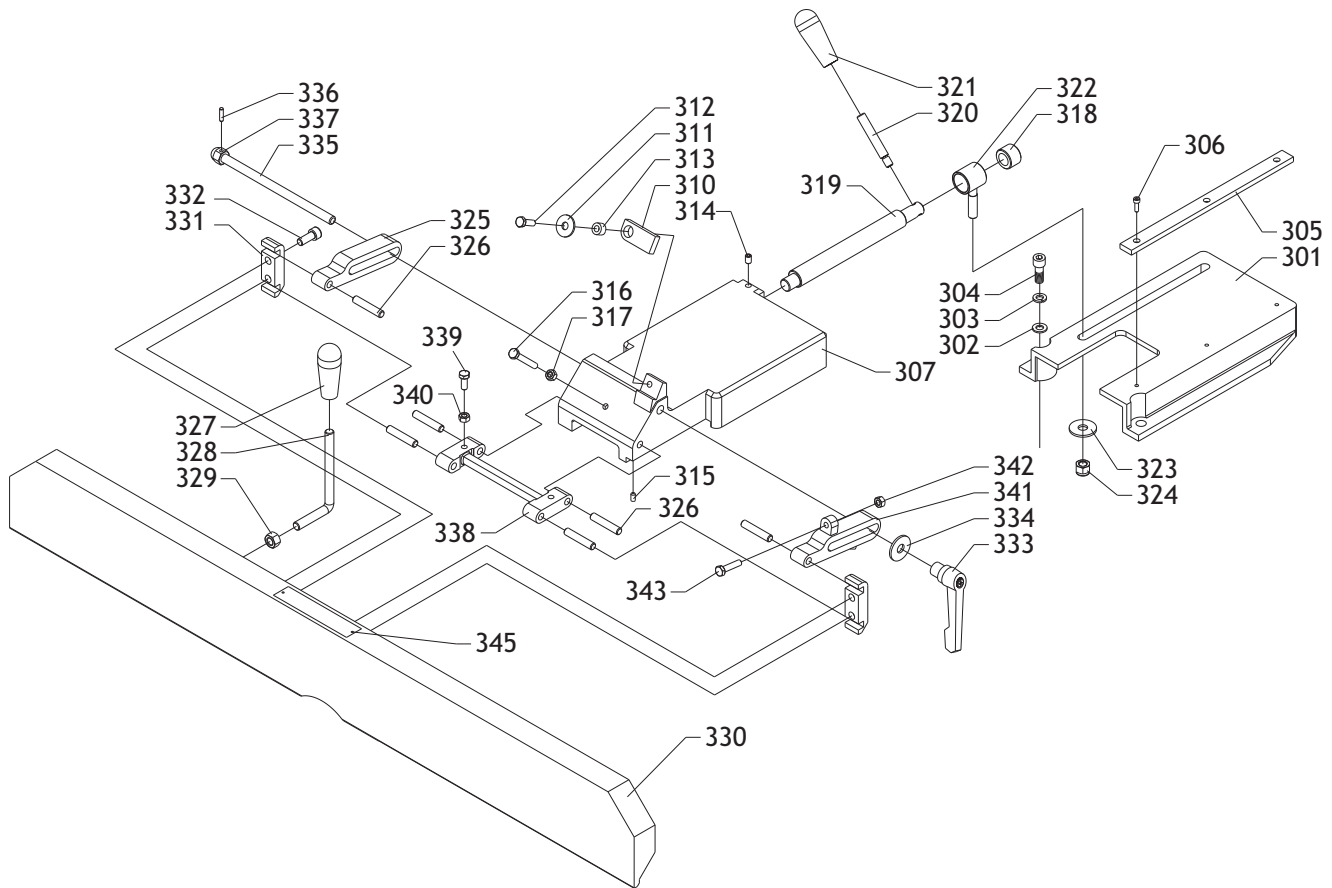
Tables



REF	PART #	DESCRIPTION
201	X1744H201	TABLE (LEFT)
202	X1744H202	TABLE LIP (LEFT)
203	X1744H203	LOCK WASHER 10MM
204	X1744H204	CAP SCREW M10-1.5 X 35
205	X1744H205	SHAFT
206	X1744H206	TABLE (RIGHT)
207	X1744H207	TABLE LIP (RIGHT)
208	X1744H208	CAP SCREW M10-1.5 X 35
209	X1744H209	LOCK WASHER 10MM
210	X1744H210	RABBETING ARM

REF	PART #	DESCRIPTION
211	X1744H211	CAP SCREW M10-1.5 X 30
212	X1744H212	LOCK WASHER 10MM
213	X1744H213	DEPTH SCALE
214	X1744H214	RIVET 2 X 4
215	X1744H215	FLAT WASHER 6MM
216	X1744H216	CAP SCREW M6-1 X 10
217	X1744H217	DUST DEFLECTOR
218	X1744H218	CAP SCREW M5-.8 X 25
219	X1744H219	STOP BLOCK
220	X1744H220	BAR

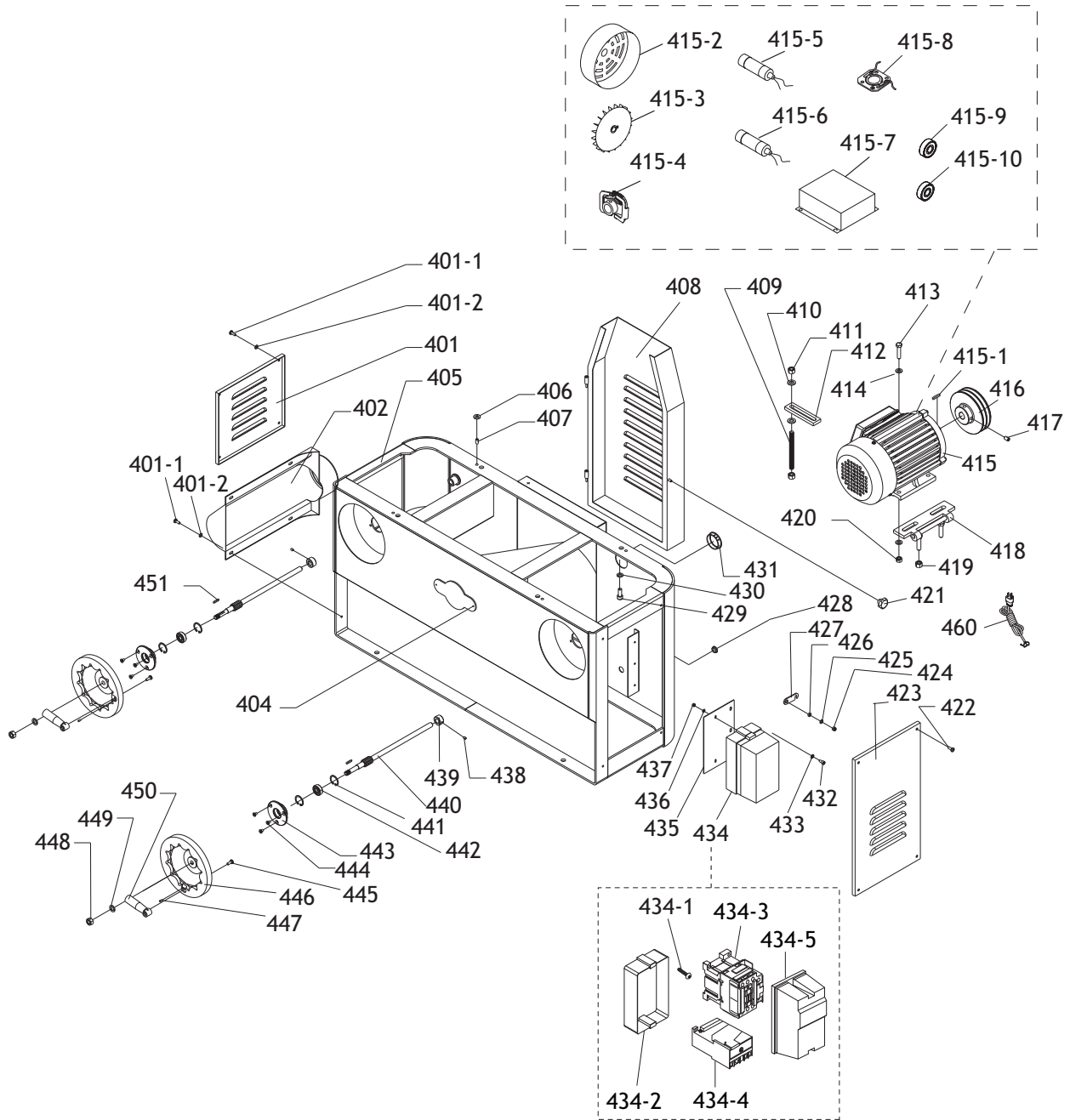
Fence



REF	PART #	DESCRIPTION
301	X1744H301	FENCE BRACKET
302	X1744H302	FLAT WASHER 12MM
303	X1744H303	LOCK WASHER 12MM
304	X1744H304	CAP SCREW M12-1.75 X 30
305	X1744H305	SLIDING RAIL
306	X1744H306	CAP SCREW M5-.8 X 14
307	X1744H307	SLIDING BRACKET
310	X1744H310	BLOCK
311	X1744H311	FLAT WASHER 8MM
312	X1744H312	HEX BOLT M8-1.25 X 25
313	X1744H313	COLLAR
314	X1744H314	SET SCREW M8-1.25 X 12
315	X1744H315	SET SCREW M6-1 X 12
316	X1744H316	HEX BOLT M8-1.25 X 55
317	X1744H317	HEX NUT M8-1.25
318	X1744H318	COLLAR
319	X1744H319	ECCENTRIC SHAFT
320	X1744H320	HANDLE ROD
321	X1744H321	HANDLE
322	X1744H322	SLIDING BUSHING ASSY
323	X1744H323	FLAT WASHER 12MM

REF	PART #	DESCRIPTION
324	X1744H324	FENCE BRACKET HEX NUT M12-1.75
325	X1744H325	LEFT BRACKET
326	X1744H326	PIN
327	X1744H327	HANDLE
328	X1744H328	HANDLE ROD
329	X1744H329	HEX NUT M12-1.75
330	X1744H330	FENCE
331	X1744H331	CLAMP
332	X1744H332	CAP SCR M10-1.5 X 25
333	X1744H333	LOCK LEVER ASSY
334	X1744H334	FLAT WASHER 12MM
335	X1744H335	DOUBLE END THREADED ROD
336	X1744H336	ROLL PIN 5 X 20
337	X1744H337	SLIDING BRACKET M12
338	X1744H338	SUPPORT BRACKET
339	X1744H339	HEX BOLT M8-1.25 x 20
340	X1744H340	HEX NUT M8-1.25
341	X1744H341	RIGHT BRACKET
342	X1744H342	HEX NUT M8-1.25
343	X1744H343	HEX BOLT M8-1.25 X 35
345	X1744H345	RIVET 2 X 5

Stand

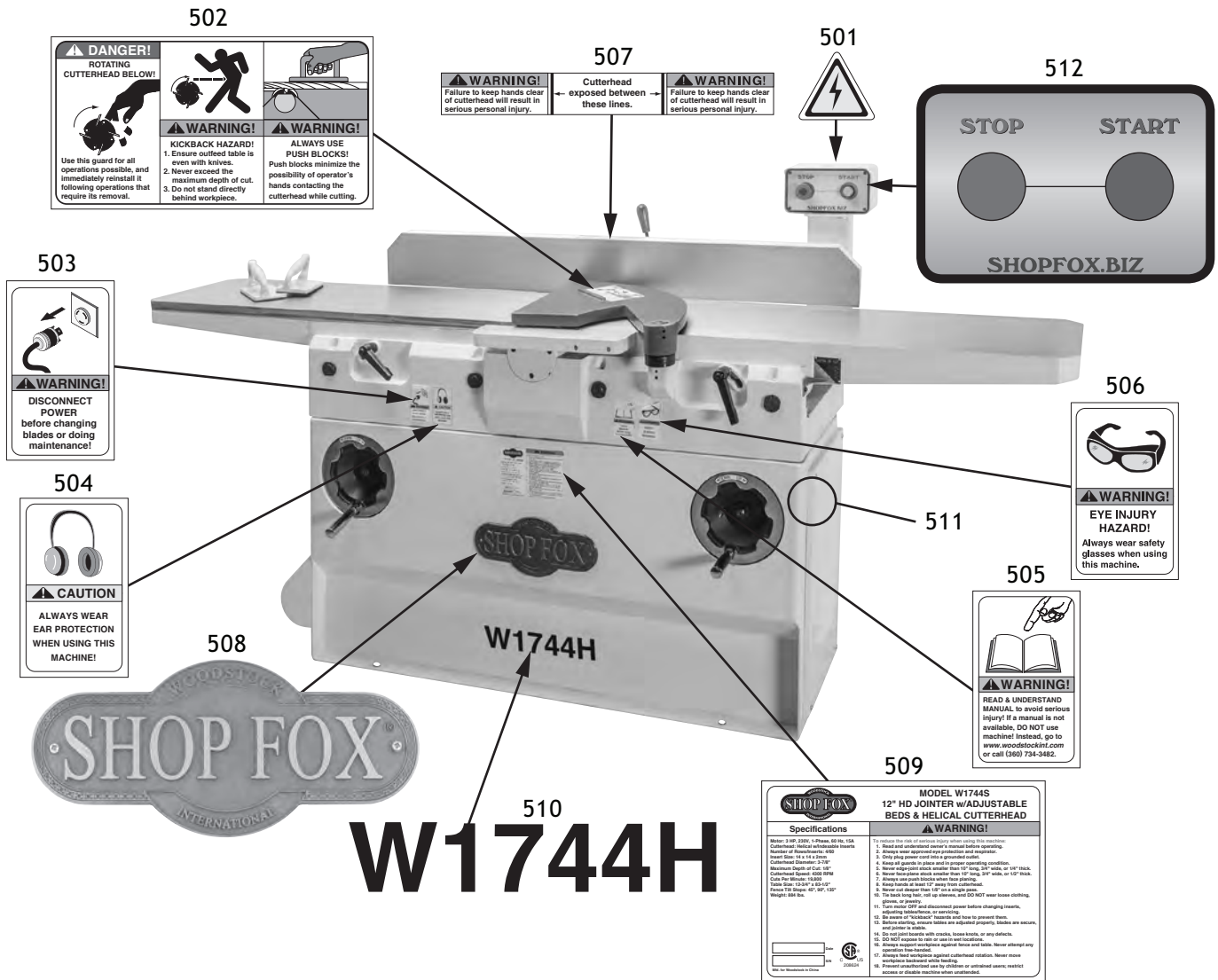


Stand Parts List

REF	PART #	DESCRIPTION
401	X1744H401	VENTED COVER
401-1	X1744H401-1	BUTTON HD CAP SCR M6-1 X 20
401-2	X1744H401-2	FLAT WASHER 6MM
402	X1744H402	DUST HOOD
404	X1744H404	PHLP HD SCR M4-.7 X 8
405	X1744H405	CABINET
406	X1744H406	RUBBER WASHER 8MM
407	X1744H407	SET SCREW M8-1.25 X 15
408	X1744H408	PULLEY COVER
409	X1744H409	TENSION ROD
410	X1744H410	FLAT WASHER 12MM
411	X1744H411	HEX NUT M12-1.75
412	X1744H412	TENSION PLATE
413	X1744H413	HEX BOLT M10-1.5 X 45
414	X1744H414	FLAT WASHER 10MM
415	X1744H415	MOTOR 3HP 230V 1-PH
415-1	X1744H415-1	KEY 5 X 5 X 45
415-2	X1744H415-2	MOTOR FAN COVER
415-3	X1744H415-3	MOTOR FAN
415-4	X1744H415-4	CENT SWITCH 5/8-3450
415-5	X1744H415-5	S CAPACITOR 250M 250V
415-6	X1744H415-6	R CAPACITOR 40M 450V
415-7	X1744H415-7	MOTOR JUNCTION BOX
415-8	X1744H415-8	CONTACT PLATE 16MM
415-9	X1744H415-9	BALL BEARING 6204ZZ
415-10	X1744H415-10	BALL BEARING 6203ZZ
416	X1744H416	MOTOR PULLEY ALUM
417	X1744H417	SET SCREW M10-1.5 X 16
418	X1744H418	MOTOR BRACKET
419	X1744H419	HEX NUT M12-1.75
420	X1744H420	HEX NUT M10-1.5
421	X1744H421	PULLEY COVER LOCK KNOB
422	X1744H422	BUTTON HD CAP SCR M6-1 X 20
423	X1744H423	RIGHT ACCESS DOOR

REF	PART #	DESCRIPTION
424	X1744H424	CABINET HEX NUT M6
425	X1744H425	FLAT WASHER 6MM
426	X1744H426	ADAPTOR
427	X1744H427	LATCH
428	X1744H428	SMALL STRAIN RELIEF
429	X1744H429	CAP SCREW M10-1.25 X 25
430	X1744H430	LOCK WASHER 10MM
431	X1744H431	BIG STRAIN RELIEF
432	X1744H432	CAP SCREW M6-1 X 10
433	X1744H433	FLAT WASHER 6MM
434	X1744H434	MAGNETIC SWITCH
434-1	X1744H434-1	PHLP HD SCR M5-.8 x 20
434-2	X1744H434-2	SWITCH BOX BACK COVER
434-3	X1744H434-3	CONTACTOR NHD C-12D 230V
434-4	X1744H434-4	OL RELAY NHD NTH-17 14-17A
434-5	X1744H434-5	SWITCH BOX FRONT COVER
435	X1744H435	SWITCH PLATE
436	X1744H436	FLAT WASHER 5MM
437	X1744H437	HEX NUT M5-.8
438	X1744H438	SET SCREW M6-1 X 8
439	X1744H439	COLLAR
440	X1744H440	SPIRAL GEAR SHAFT
441	X1744H441	INT RETAINING RING 32MM
442	X1744H442	BALL BEARING 6201-2RS
443	X1744H443	BEARING SUPPORT
444	X1744H444	FLAT HEAD SCR M6-1 X 8
445	X1744H445	FLANGE SCREW M6-1 X 16
446	X1744H446	HAND WHEEL
447	X1744H447	ROLL PIN 4 X 10
448	X1744H448	HEX NUT M12-1.75
449	X1744H449	FLAT WASHER 12MM
450	X1744H450	FOLDING HANDLE
451	X1744H451	KEY 5 X 5 X 20
460	X1744H460	POWER CORD 12G 3W 72" 6-20P

Labels & Cosmetics



REF PART #	DESCRIPTION
501	X1744H501 ELECTRICITY LABEL
502	X1744H502 CUTTERHEAD GUARD WARNING LABEL
503	X1744H503 DISCONNECT POWER LABEL
504	X1744H504 EAR PROTECTION LABEL
505	X1744H505 READ MANUAL LABEL
506	X1744H506 SAFETY GLASSES LABEL

REF PART #	DESCRIPTION
507	X1744H507 FENCE/CUTTERHEAD WARNING LABEL
508	X1744H508 SHOP FOX NAMEPLATE - LARGE
509	X1744H509 MACHINE ID LABEL
510	X1744H510 MODEL NUMBER LABEL
511	X1744H511 TOUCH-UP PAINT, SHOP FOX WHITE
512	X1744H512 CONTROL PANEL LABEL

⚠ WARNING

Safety labels warn about machine hazards and how to prevent machine damage or injury. The owner of this machine **MUST** maintain the original location and readability of all labels on this machine. If any label is removed or becomes unreadable, **REPLACE** that label before allowing the machine to enter service again. Contact Woodstock International, Inc. at (360) 734-3482 or www.shopfoxtools.com to order new labels.