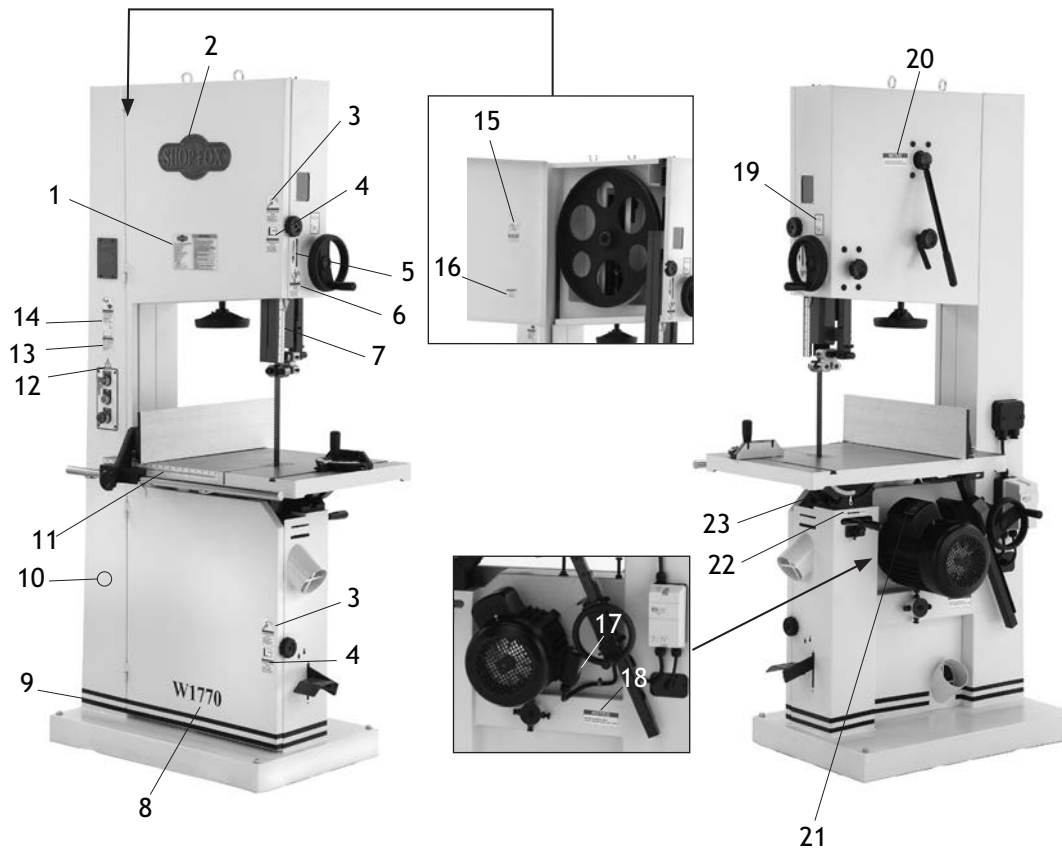


PARTS

Labels & Cosmetic Parts

⚠️ WARNING

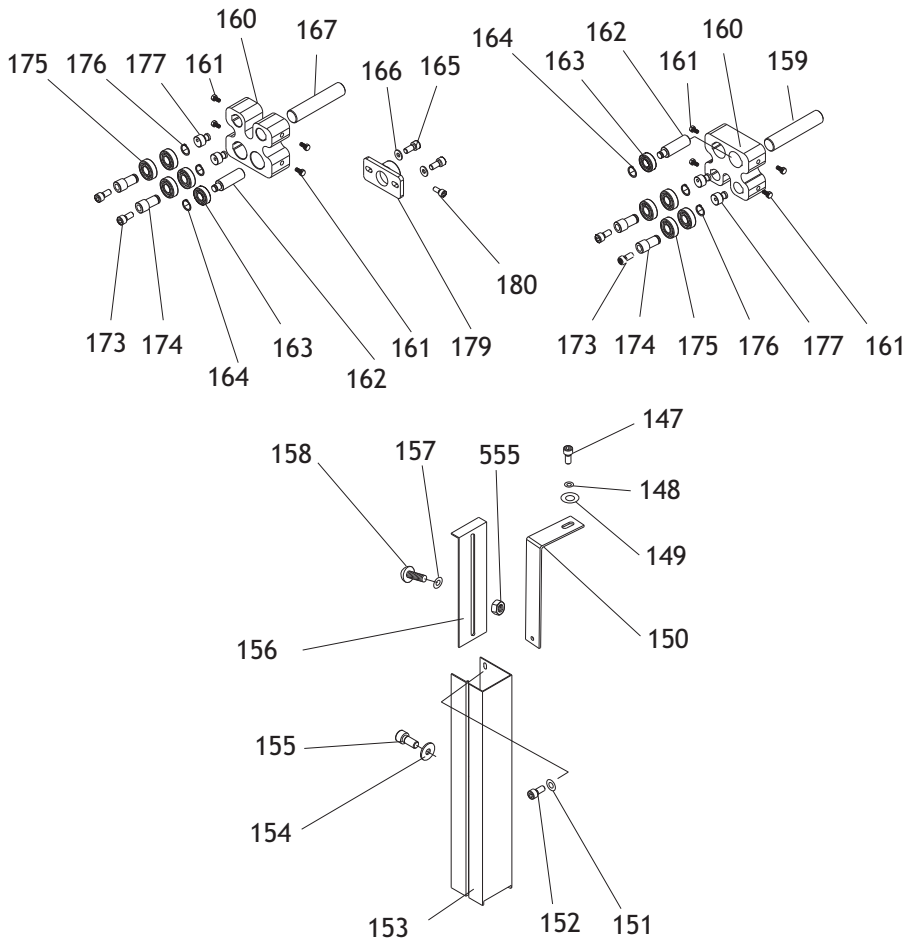
Safety labels warn about machine hazards and how to prevent machine damage or injury. The owner of this machine **MUST** maintain the original location and readability of all labels on this machine. If any label is removed or becomes unreadable, **REPLACE** that label before allowing the machine to enter service again. Contact Woodstock International, Inc. at (360) 734-3482 or www.shopfoxtools.com to order new labels.



REF	PART #	DESCRIPTION
1	X1770001	MACHINE ID LABEL
2	X1770002	SHOP FOX LOGO PLATE
3	X1770003	DISCONNECT POWER LABEL HL
4	X1770004	CLOSE DOOR LABEL
5	X1770005	BLADE CUT DIRECTION LABEL
6	X1770006	BANDSAW BLADE CUT LABEL HL
7	X1770007	BLADE GUIDE ASSEMBLY SCALE
8	X1770008	W1770 MODEL # LABEL
9	X1770009	DECORATIVE BLACK STRIPE
10	X1770010	SHOP FOX WHITE PAINT
11	X1770011	TABLE MEASUREMENT SCALE
12	X1770012	ELECTRICITY LABEL

REF	PART #	DESCRIPTION
13	X1770013	READ MANUAL LABEL HL
14	X1770014	GLASSES RESPIRATOR LABEL HL
15	X1770015	WHEEL HINGE/STOP BOLT LABEL
16	X1770016	PATENT LABEL
17	X1770017	ELECTRICITY LABEL (SMALL)
18	X1770018	TABLE TILT HANDWHEEL LABEL
19	X1770019	BLADE ASSEMBLY DIRECTION LABEL
20	X1770020	TENSION ADJUSTMENT LABEL
21	X1770021	MOTOR LABEL
22	X1770022	TABLE LOCK LEVER LABEL
23	X1770023	TABLE ANGLE SCALE

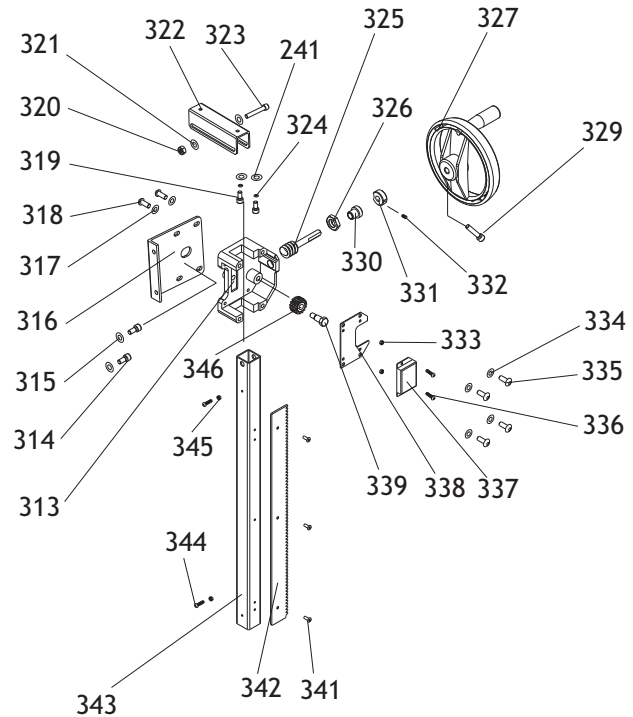
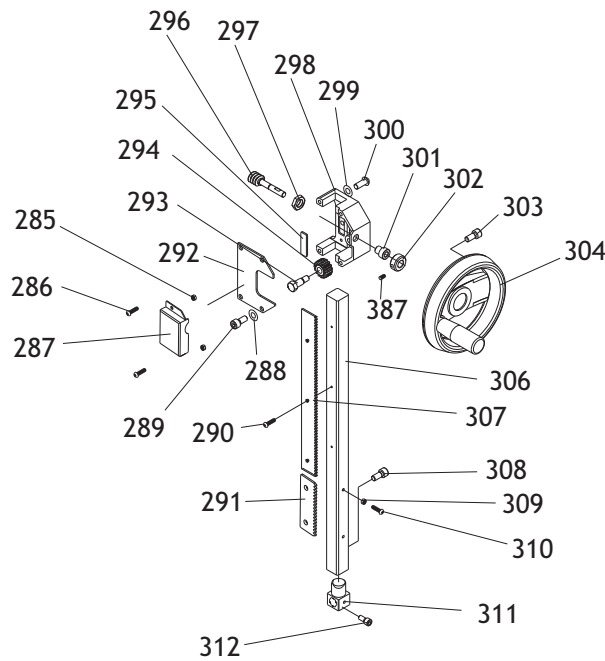
Blade Guides-Cover Breakdown



REF	PART #	DESCRIPTION
147	X1770147	CAP SCREW M6-1 X 10
148	X1770148	LOCK WASHER 6MM
149	X1770149	FLAT WASHER 6MM
150	X1770150	SUPPORT PLATE
151	X1770151	FLAT WASHER 6MM
152	X1770152	CAP SCREW M6-1 X 10
153	X1770153	BLADE GUARD
154	X1770154	FLAT WASHER 6MM
155	X1770155	CAP SCREW M6-1 X 10
156	X1770156	SLIDING PLATE
157	X1770157	PLASTIC WASHER 6MM
158	X1770158	FLANGE SCREW M6-1 X 10
159	X1770159	ADJUST BAR
160	X1770160	BLADE GUIDE SUPPORT
161	X1770161	HEX BOLT M6-1 X 10

REF	PART #	DESCRIPTION
162	X1770162	UPPER SPACING SLEEVE
163	X1770163	BALL BEARING 6201ZZ
164	X1770164	EXT RETAINING RING 12MM
165	X1770165	CAP SCREW M6-1 X 16
166	X1770166	FLAT WASHER 6MM
167	X1770167	ADJUSTING SHAFT
173	X1770173	CAP SCREW M6-1 X 40
174	X1770174	HANDLE BUSHING
175	X1770175	BALL BEARING 6202ZZ
176	X1770176	EXT RETAINING RING 15MM
177	X1770177	ECCENTRIC SHAFT
179	X1770179	SUPPORT BRACKET
180	X1770180	CAP SCREW M6-1 X 16
555	X1770555	LOCK NUT M6-1

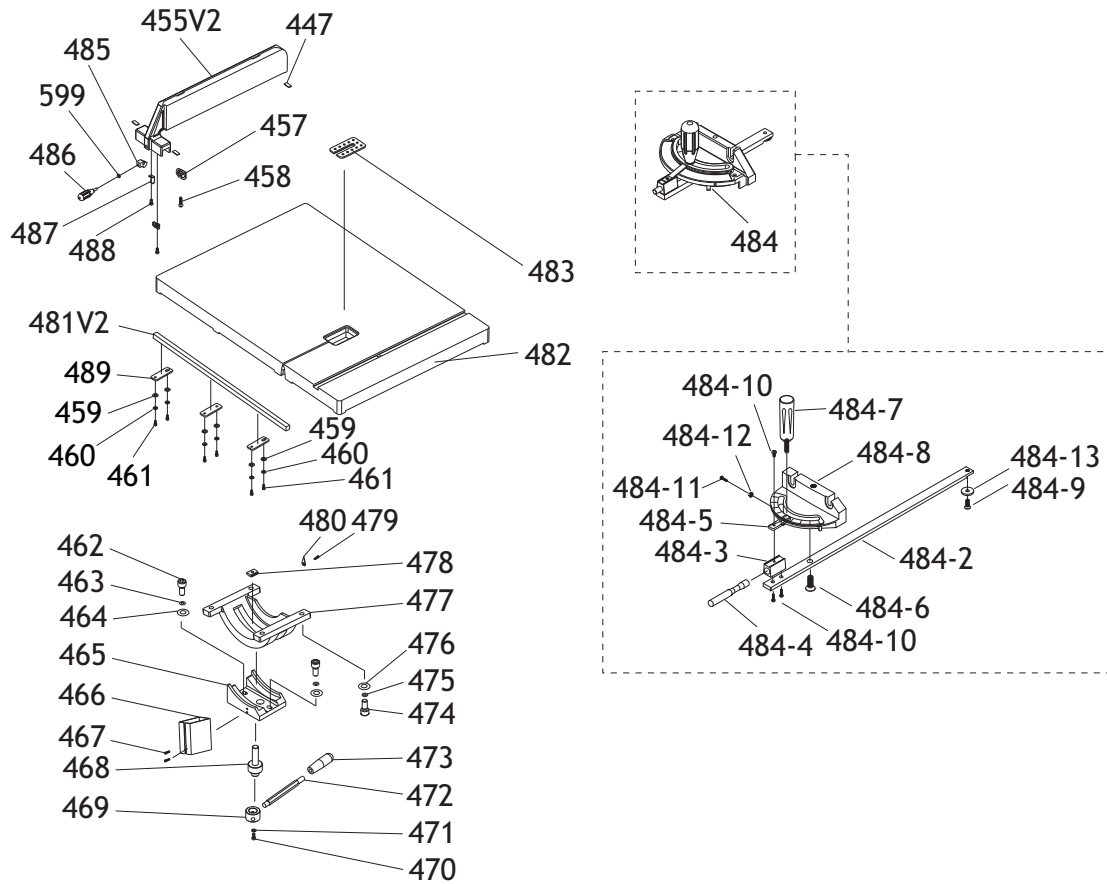
Guide Post-Table Tilt Breakdown



REF	PART #	DESCRIPTION
241	X1770241	FLAT WASHER 6MM
285	X1770285	HEX NUT M5-.8
286	X1770286	FLANGE SCREW M5-.8 X 10
287	X1770287	COVER
288	X1770288	LOCK WASHER 8MM
289	X1770289	CAP SCREW M8-1.25 X 16
290	X1770290	FLAT HD SCR M4-.7 X 10
291	X1770291	EXTENSION RACK
292	X1770292	COVER
293	X1770293	FIXED BOLT
294	X1770294	PINION GEAR
295	X1770295	FIXED PLATE
296	X1770296	WORM SHAFT
297	X1770297	HEX NUT M16-1.5
298	X1770298	GUIDE BRACKET
299	X1770299	FLAT WASHER 8MM
300	X1770300	BUTTON HD CAP SCR M8-1.25 X 35
301	X1770301	BUSHING
302	X1770302	SWITCH BUSHING
303	X1770303	CAP SCREW M6-1 X 25
304	X1770304	HANDWHEEL
306	X1770306	UPPER GUIDE BAR
307	X1770307	RACK
308	X1770308	CAP SCREW M6-1 X 16
309	X1770309	HEX NUT M4-.7
310	X1770310	PHLP HD SCR M4-.7 X 10
311	X1770311	UPPER GUIDE SUPPORT BLOCK
312	X1770312	HEX BOLT M6-1 X 16
313	X1770313	GUIDE BRACKET
314	X1770314	CAP SCREW M8-1.25 X 20
315	X1770315	LOCK WASHER 8MM

REF	PART #	DESCRIPTION
316	X1770316	SUPPORT PLATE
317	X1770317	FLAT WASHER 8MM
318	X1770318	BUTTON HD CAP SCR M8-1.25 X 20
319	X1770319	CAP SCREW M6-1 X 10
320	X1770320	LOCK NUT M8-1.25
321	X1770321	FLAT WASHER 8MM
322	X1770322	SLIDING PLATE
323	X1770323	HEX BOLT M8-1.25 X 55
324	X1770324	LOCK WASHER 6MM
325	X1770325	WORM SHAFT
326	X1770326	HEX NUT M16-1.5
327	X1770327	HANDWHEEL
329	X1770329	CAP SCREW M6-1 X 25
330	X1770330	BUSHING
331	X1770331	SWITCH BUSHING
332	X1770332	SET SCREW M5-.8 X 5
333	X1770333	HEX NUT M5-.8
334	X1770334	LOCK WASHER 8MM
335	X1770335	CAP SCREW M8-1.25 X 16
336	X1770336	FLANGE SCREW M5-.8 X 10
337	X1770337	COVER
338	X1770338	COVER
339	X1770339	SPECIAL BOLT
341	X1770341	FLAT HD SCR M4-.7 X 10
342	X1770342	RACK
343	X1770343	SQUARE TUBE
344	X1770344	FLANGE SCREW M4-.7 X 10
345	X1770345	HEX NUT M4-.7
346	X1770346	PINION GEAR
387	X1770387	SET SCREW M5-.8 X 5

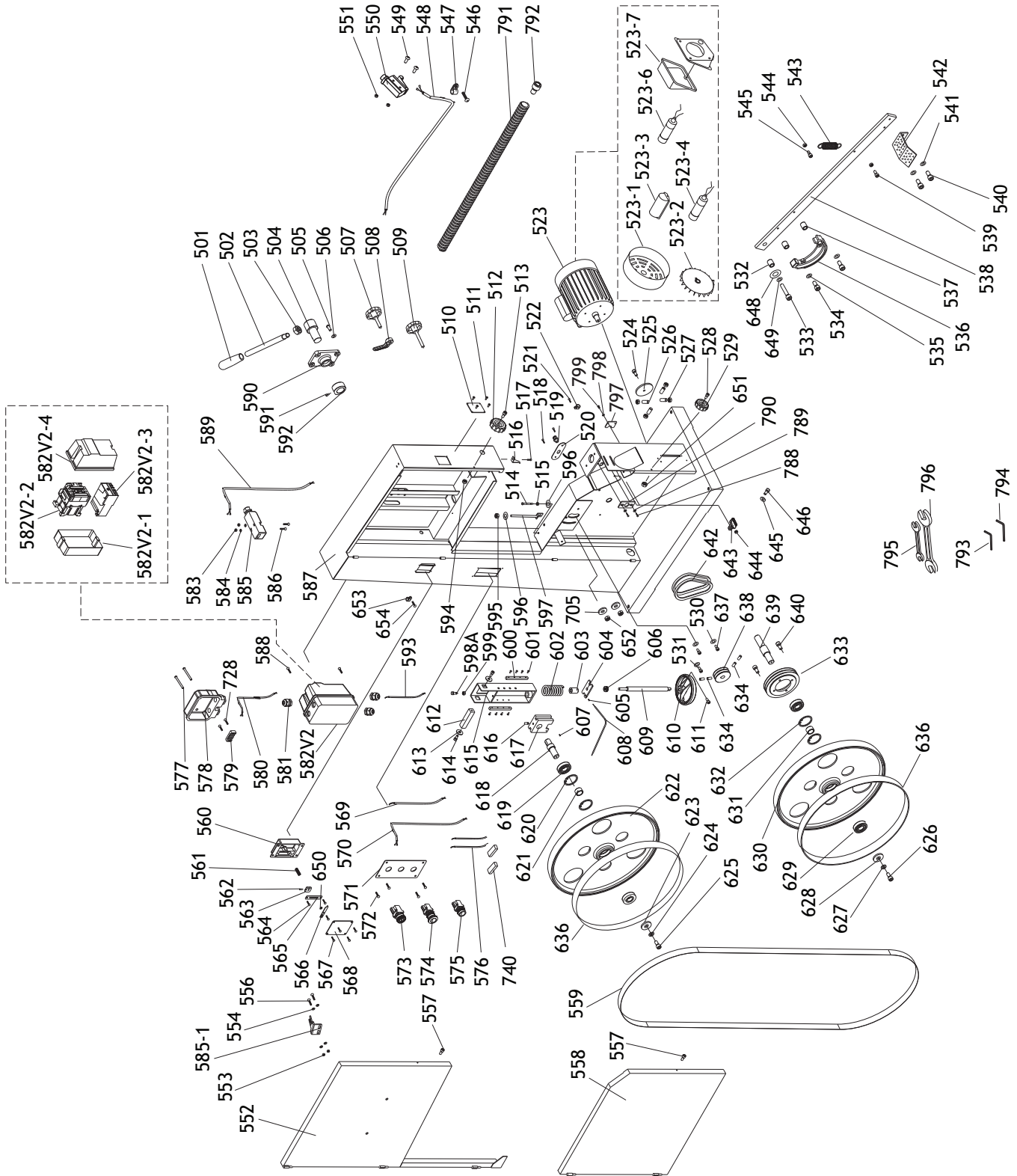
Table-Trunnion Breakdown



REF	PART #	DESCRIPTION
447	X1770447	NYLON PIECE
455V2	X1770455V2	FENCE V2.03.15
456	X1770456	KNOB SCREW M10-1.5 X 25
457	X1770457	POINTER
458	X1770458	FLANGE SCREW M5-.8 X 8
459	X1770459	FLAT WASHER 8MM
460	X1770460	LOCK WASHER 8MM
461	X1770461	CAP SCREW M8-1.25 X 20
462	X1770462	CAP SCREW M10-1.5 X 30
463	X1770463	LOCK WASHER 10MM
464	X1770464	FLAT WASHER 10MM
465	X1770465	TRUNNION HOUSING
466	X1770466	BLADE GUARD
467	X1770467	FLANGE SCREW M6-1 X 10
468	X1770468	PRESS SHAFT
469	X1770469	MICRO ADJUSTING RING
470	X1770470	CAP SCREW M8-1.25 X 20
471	X1770471	LOCK WASHER 8MM
472	X1770472	HANDLE SHAFT
473	X1770473	HANDLE KNOB M12-1.75 (FEMALE)
474	X1770474	CAP SCREW M10-1.5 X 35
475	X1770475	LOCK WASHER 10MM
476	X1770476	FLAT WASHER 10MM
477	X1770477	TRUNNION BLOCK
478	X1770478	PRESS BLOCK

REF	PART #	DESCRIPTION
479	X1770479	PHLP HD SCR M4-.7 X 10
480	X1770480	POINTER
481V2	X1770481V2	FENCE RAIL V2.03.15
482	X1770482	TABLE
483	X1770483	TABLE INSERT
484	X1770484	MITER GAUGE ASSEMBLY
484-2	X1770484-2	GUIDE BAR
484-3	X1770484-3	LOCATE BRACKET
484-4	X1770484-4	LOCATE SHAFT
484-5	X1770484-5	POINTER
484-6	X1770484-6	STEP SHOULDER
484-7	X1770484-7	HANDLE
484-8	X1770484-8	MITER GAUGE BODY
484-9	X1770484-9	FLAT HD SCR M6-1 X 6
484-10	X1770484-10	PHLP HD SCR 10-24 X 3/8
484-11	X1770484-11	PHLP HD SCR M4-.7 X 16
484-12	X1770484-12	HEX NUT M4-.7
484-13	X1770484-13	FLAT WASHER 8MM
485	X1770485	PIVOT BLOCK
486	X1770486	FENCE HANDLE M8-1.25 X 20
487	X1770487	SPRING PIECE
488	X1770488	FLANGE SCREW M4-.7 X 8
489	X1770489	RAIL MOUNTING PLATE
599	X1770599	HEX NUT M8-1.25

Body Breakdown



Body Parts List

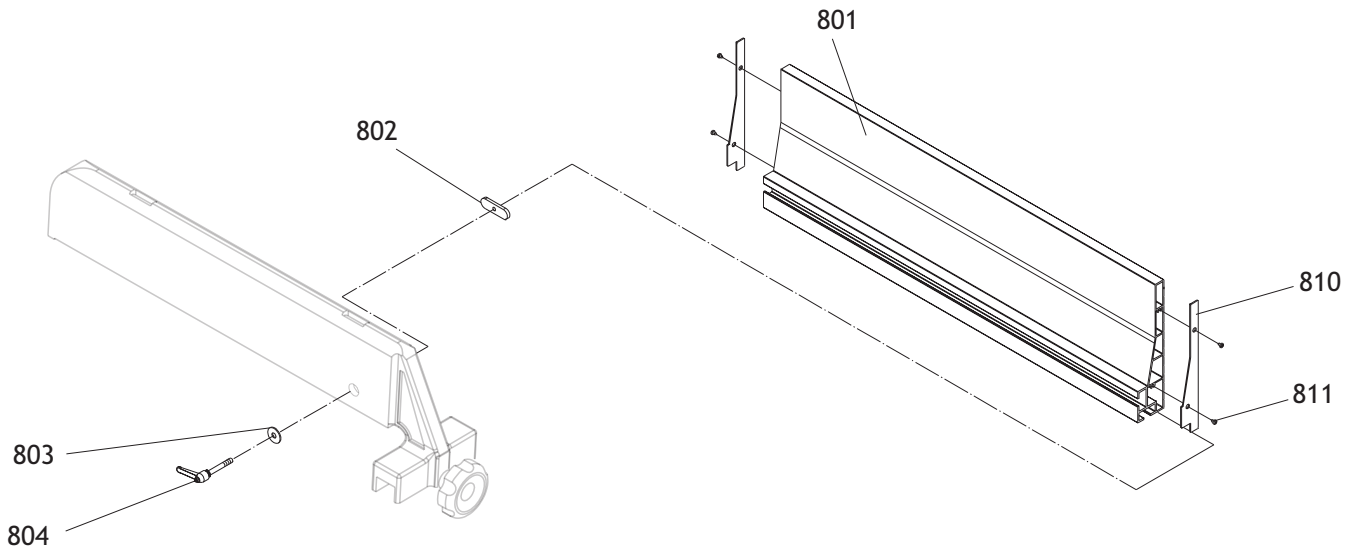
REF	PART #	DESCRIPTION
501	X1770501	HANDLE KNOB M16-1.5
502	X1770502	HANDLE SHAFT
503	X1770503	NUT M16-1.5
504	X1770504	ECCENTRIC SHAFT
505	X1770505	BUTTON HD CAP SCR M10-1.5 X 20
506	X1770506	LOCK WASHER 10MM
507	X1770507	KNOB SCREW M10-1.5 X 25
508	X1770508	LOCK HANDLE M10-1.5
509	X1770509	KNOB SCREW M10-1.5 X 25
510	X1770510	BLADE TRACKING WINDOW
511	X1770511	RIVET 3.2 X 10
512	X1770512	LATCHING KNOB 6MM
513	X1770513	CAP SCREW M6-1 X 20
514	X1770514	HEX BOLT M10-1.5 X 50
515	X1770515	HEX NUT M10-1.5
516	X1770516	HEIGHT POINTER
517	X1770517	FLANGE SCREW M5-.8 X 10
518	X1770518	TAP SCREW M4 X 8
519	X1770519	STRAIN RELIEF M20
520	X1770520	PLATE
521	X1770521	TAP SCREW M4 X 8
522	X1770522	CORD CLAMP 1/2"
523	X1770523	MOTOR 5HP 220V 1-PH
523-1	X1770523-1	FAN COVER
523-2	X1770523-2	FAN
523-3	X1770523-3	CAPACITOR COVER
523-4	X1770523-4	S CAPACITOR 400M 250V 1-3/4 X 3-1/2
523-6	X1770523-6	R CAPACITOR 45M 350V 1-3/4 X 3-3/4
523-7	X1770523-7	WIRING BOX
524	X1770524	BUTTON HD CAP SCR M8-1.25 X 20
525	X1770525	COVER
526	X1770526	HEX BOLT M10-1.5 X 30
527	X1770527	HEX NUT M10-1.5
528	X1770528	CAP SCREW M6-1 X 20
529	X1770529	LATCHING KNOB 6MM
530	X1770530	FLAT WASHER 8MM
531	X1770531	CAP SCREW M8-1.25 X 25
532	X1770532	BUSHING
533	X1770533	CAP SCREW M8-1.25 X 25
534	X1770534	CAP SCREW M6-1 X 25
535	X1770535	LOCK WASHER 6MM
536	X1770536	BRAKE SHOE
537	X1770537	BUSHING
538	X1770538	BRAKE LEVER
539	X1770539	CAP SCREW M6-1 X 16
540	X1770540	CAP SCREW M6-1 X 16
541	X1770541	LOCK WASHER 6MM
542	X1770542	BRAKE STEP PLATE
543	X1770543	EXTENSION SPRING
544	X1770544	HEX NUT M6-1
545	X1770545	CAP SCREW M6-1 X 16

REF	PART #	DESCRIPTION
546	X1770546	TAP SCREW M4 X 8
547	X1770547	CORD CLAMP 5/8"
548	X1770548	STEP CORD 16AWG X 3C
549	X1770549	HEX BOLT M4-.7 X 30
550	X1770550	LIMIT SWITCH KL7141
551	X1770551	HEX NUT M4-.7
552	X1770552	UPPER WHEEL COVER
553	X1770553	HEX NUT M4-.7
554	X1770554	FLAT WASHER 4MM
556	X1770556	PHLP HD SCR M4-.7 X 10
557	X1770557	CAP SCREW M6-1 X 10
558	X1770558	LOWER WHEEL COVER
559	X1770559	SAW BLADE 4190 X 25.4 X 0.9MM
560	X1770560	UPPER WHEEL SLIDING BRACKET
561	X1770561	SPRING
562	X1770562	PIN 3 X 12
563	X1770563	MOVING PLATE
564	X1770564	TAP SCREW M4 X 10
565	X1770565	FIX PLATE
566	X1770566	TENSION POINTER
567	X1770567	TAP SCREW M4 X 16
568	X1770568	TENSION SCALE
569	X1770569	CONNECTING CORD
570	X1770570	SWITCH CORD 16AWG X 3C
571	X1770571	SWITCH PLATE
572	X1770572	TAP SCREW M4 X 10
573	X1770573	KEY SWITCH DIA. 22
574	X1770574	STOP SWITCH DIA. 22
575	X1770575	START SWITCH DIA. 22
576	X1770576	CONNECTING CORD
577	X1770577	FLANGE SCREW M5-.8 X 50
578	X1770578	TERMINAL BOX
579	X1770579	TERMINAL BAR
580	X1770580	POWER CORD 12AWG X 3C
581	X1770581	STRAIN RELIEF M20
582V2	X1770582V2	MAGNETIC SWITCH MPE-30 26A V2.03.15
582V2-1	X1770582V2-1	MAGNETIC SWITCH BACK COVER
582V2-2	X1770582V2-2	CONTACTOR SDE MA-30 220V
582V2-3	X1770582V2-3	OL RELAY SDE RA-30 18-26A
582V2-4	X1770582V2-4	MAG SWITCH FRONT COVER
583	X1770583	HEX NUT M4-.7
584	X1770584	FLAT WASHER 4MM
585	X1770585	DOOR LATCH SWITCH ADZ-S11
585-1	X1770585-1	DOOR LATCH PLATE
586	X1770586	FLANGE SCREW M4-.7 X 35
587	X1770587	MACHINE BODY
588	X1770588	FLANGE SCREW M5-.8 X 10
589	X1770589	SWITCH CORD 16AWG X 3C
590	X1770590	HOUSING PLATE
591	X1770591	CAP SCREW M8-1.25 X 25
592	X1770592	CAM

Body Parts List Continued

REF	PART #	DESCRIPTION	REF	PART #	DESCRIPTION
593	X1770593	MOTOR CORD 12AWG X 3C	630	X1770630	LOWER WHEEL DIA. 21"
594	X1770594	LOCK NUT M6-1	631	X1770631	BUSHING
595	X1770595	HEX NUT M10-1.5	632	X1770632	INT RETAINING RING 52MM
596	X1770596	FLAT WASHER 10MM	633	X1770633	PULLEY
597	X1770597	ADJUST BOLT	634	X1770634	SET SCREW M6-1 X 12
598A	X1770598A	CAP SCREW M8-1.25 X 55	636	X1770636	TIRE
599	X1770599	HEX NUT M8-1.25	637	X1770637	CAP SCREW M8-1.25 X 20
600	X1770600	LOCATE PLATE	638	X1770638	PULLEY
601	X1770601	FLAT HD SCR M5-.8 X 16	639	X1770639	LOWER SHAFT
602	X1770602	COMPRESSION SPRING	640	X1770640	BUTTON HD CAP SCR M8-1.25 X 20
603	X1770603	BUSHING	642	X1770642	V-BELT 17-320
604	X1770604	PRESS BLOCK	643	X1770643	BRUSH
605	X1770605	SET SCREW M5-.8 X 5	644	X1770644	LOCK NUT M6-1
606	X1770606	THRUST BEARING 51201	645	X1770645	FLAT WASHER 6MM
607	X1770607	SET SCREW M5-.8 X 5	646	X1770646	CAP SCREW M6-1 X 20
608	X1770608	TENSION LINE	648	X1770648	FLAT WASHER 8MM
609	X1770609	SHAFT	649	X1770649	LOCK WASHER 8MM
610	X1770610	HANDWHEEL	650	X1770650	FLAT WASHER 4MM
611	X1770611	CAP SCREW M6-1 X 25	651	X1770651	LOCK NUT M6-1
612	X1770612	SQUARE SHAFT	652	X1770652	HEX NUT M8-1.25
613	X1770613	FLAT WASHER 8MM	653	X1770653	CORD CLAMP 5/16"
614	X1770614	CAP SCREW M8-1.25 X 20	654	X1770654	TAP SCREW M4 X 10
615	X1770615	UPPER WHEEL HINGE ASSY	705	X1770705	FLAT WASHER 8MM
616	X1770616	SET SCREW M10-1.5 X 16	728	X1770728	PHLP HD SCR M4-.7 X 20
617	X1770617	GUIDE BLOCK	740	X1770740	CORD CONNECTOR 224-201
618	X1770618	UPPER WHEEL SHAFT	788	X1770788	FLANGE SCREW M6-1 X 10
619	X1770619	BALL BEARING 6205LLU	789	X1770789	FLAT WASHER 6MM
620	X1770620	INT RETAINING RING 52MM	790	X1770790	SUPPORT
621	X1770621	BUSHING	791	X1770791	CORD PROTECTOR 12.7 X 1100
622	X1770622	UPPER WHEEL DIA. 21"	792	X1770792	CORD BUSHING
623	X1770623	FLAT WASHER 8MM	793	X1770793	HEX WRENCH 5MM
624	X1770624	LOCK WASHER 8MM	794	X1770794	HEX WRENCH 6MM
625	X1770625	CAP SCREW M8-1.25 X 20	795	X1770795	WRENCH 10/13
626	X1770626	CAP SCREW M8-1.25 X 20	796	X1770796	WRENCH 17/19
627	X1770627	LOCK WASHER 8MM	797	X1770797	STOP PLATE
628	X1770628	FLAT WASHER 8MM	798	X1770798	CAP SCREW M5-.8 X 12
629	X1770629	BALL BEARING 6205LLU	799	X1770799	FLAT WASHER 5MM

Resaw Fence Breakdown



REF	PART #	DESCRIPTION
801	X1770801	RESAW FENCE (AL) 590MM
802	X1770802	MOVING PLATE
803	X1770803	FLAT WASHER 8MM

REF	PART #	DESCRIPTION
804	X1770804	ADJUSTMENT HANDLE M8 X 44
810	X1770810	END COVER 148 X 22 X 1
811	X1770811	TAP SCREW M3.5 X 8