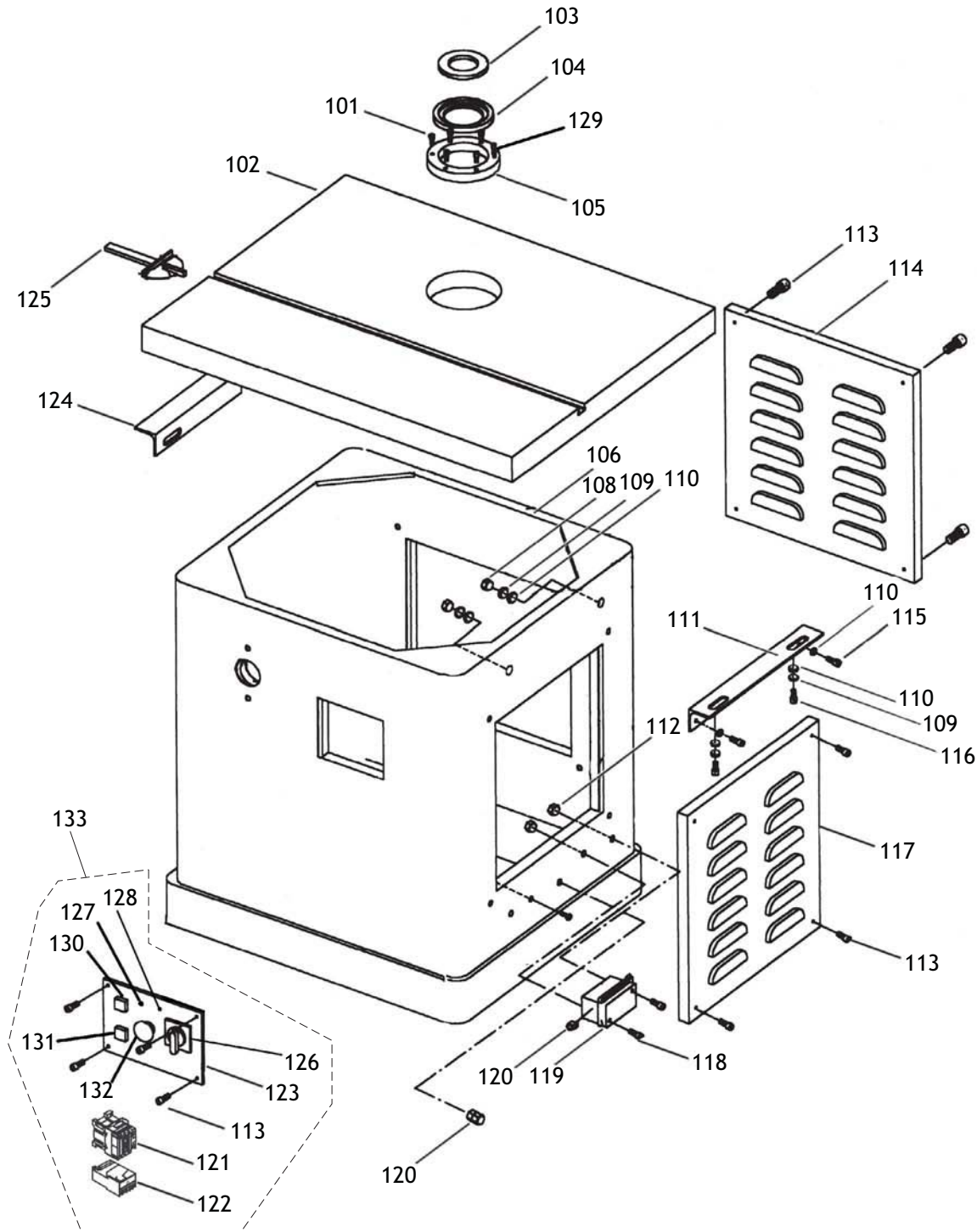


PARTS

Cabinet

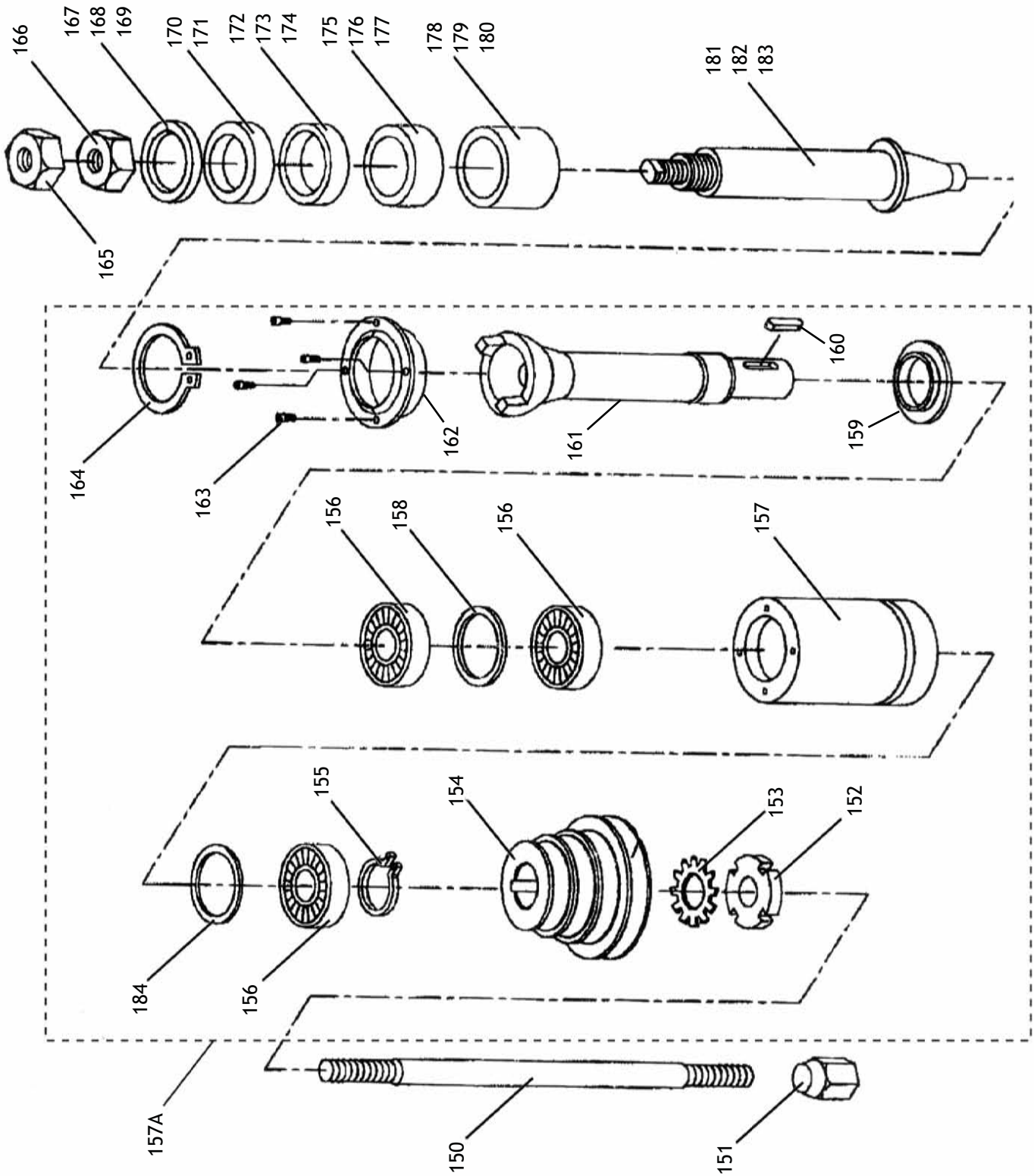


Cabinet Parts List

REF	PART #	DESCRIPTION
101	XPSS08	SET SCREW 5/16-18 X 1/2
102	X1827102	TABLE
103	X1827103	TABLE INSERT 3" O.D.
104	X1827104	TABLE INSERT 3-1/2" O.D.
105	X1827105	CAST IRON INSERT RING
106	X1827106	CABINET
108	XPN08	HEX NUT 3/8-16
109	XPLW04	LOCK WASHER 3/8
110	XPW02	FLAT WASHER 3/8
111	X1827111	RIGHT TABLE BRACE
112	XPN07	HEX NUT 10-24
113	XPS12	PHLP HD SCR 1/4-20 X 5/8
114	X1827114	REAR CABINET ACCESS PANEL
115	XPB24	HEX BOLT 3/8-16 X 1-1/4
116	XPB21	HEX BOLT 3/8-16 X 3/4
117	X1827117	SIDE CABINET ACCESS PANEL

REF	PART #	DESCRIPTION
118	XPS08	PHLP HD SCR 10-24 X 3/4
119	X1827119	TERMINAL BOX ASSEMBLY
120	X1827120	STRAIN RELIEF 3/8" STRAIGHT
121	X1827121	CONTACTOR NHD C-18D 220V
122	X1827122	OL RELAY NHD TH-20 24-36A
123	X1827123	CONTROL PANEL PLATE
124	X1827124	LEFT TABLE BRACE
125	X1827125	MITER GAUGE ASSEMBLY
126	X1827126	SPINDLE SWITCH KEDU ZH-HC-3
127	X1827127	POWER LAMP
128	X1827128	REVERSE LAMP
129	XPFH21	FLAT HD SCR 10-24 X 3/4
130	X1827130	ON BUTTON LA68-CT.AK10
131	X1827131	OFF BUTTON LA68-CT.BK01
132	X1827132	E-STOP BUTTON LA68-CT.BK01
133	X1827133	CONTROL PANEL ASSEMBLY

Spindle

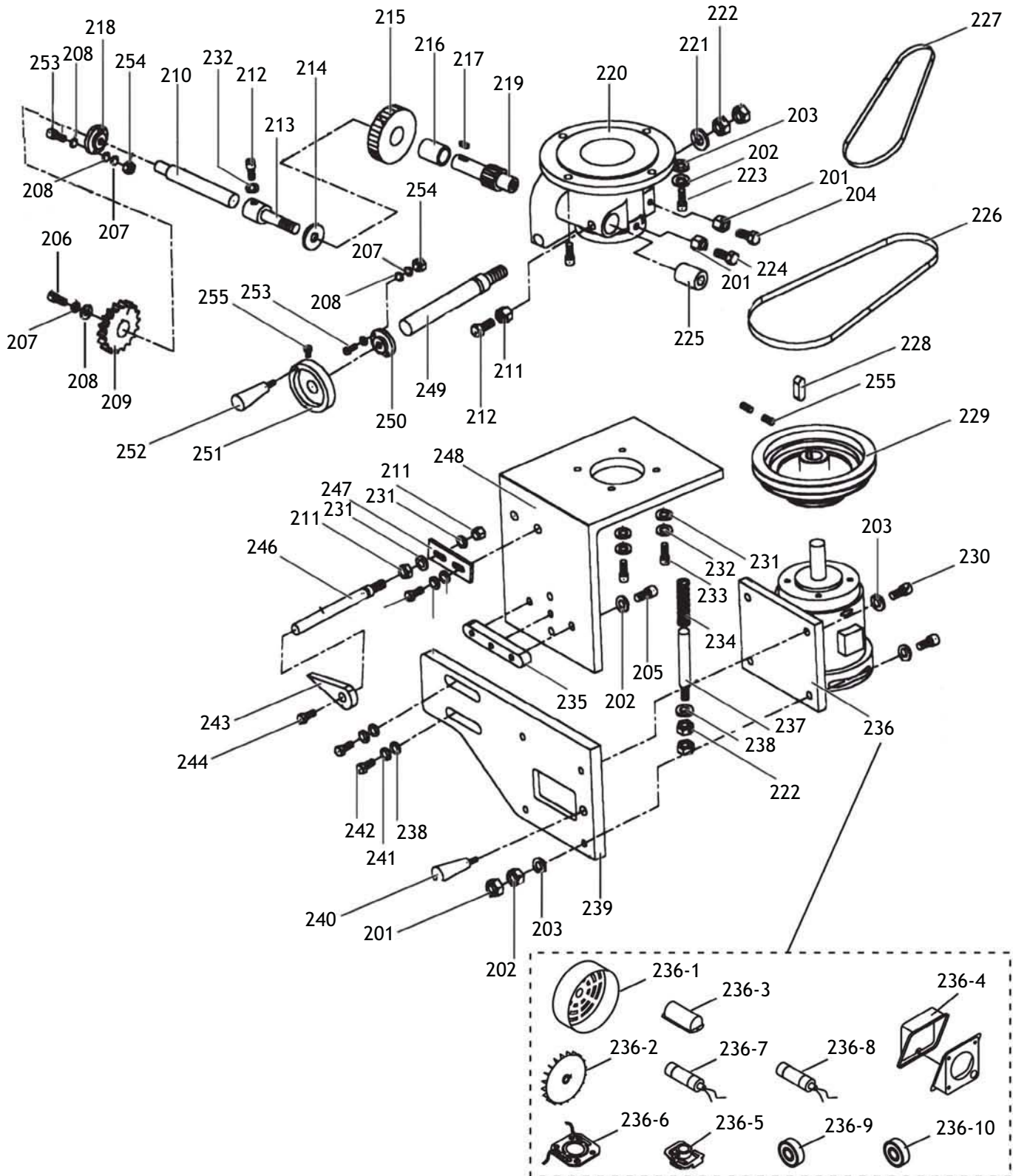


Spindle Parts List

REF	PART #	DESCRIPTION
150	X1827150	DRAWBAR 3/8-11
151	X1827151	TAPER LOCK NUT 3/8-11
152	X1827152	SPANNER NUT 30-3.5
153	X1827153	SPANNER LOCK WASHER 30MM
154	X1827154	SPINDLE PULLEY ASSEMBLY
155	XPR68M	EXT RETAINING RING 40MM
156	XP6008ZZ	BALL BEARING 6008ZZ
157	X1827157	QUILL
157A	X1827157A	SPINDLE PULLEY & QUILL ASSY
158	X1827158	BEARING SPACER
159	X1827159	CARTRIDGE LOWER FLANGE
160	XPK55M	KEY 7 X 7 X 40
161	X1827161	SPINDLE CARTRIDGE
162	X1827162	CARTRIDGE UPPER FLANGE
163	XPCAP17M	CAP SCREW M4-.7 X 10
164	XPR43M	EXT RETAINING RING 50MM
165	XPN37	HEX NUT 1-1/4-7 LH
166	XPN36	HEX NUT 1-1/4-7

REF	PART #	DESCRIPTION
167	X1827167	SPINDLE SPACER 1-1/4" X 1/4"
168	X1827168	SPINDLE SPACER 1" X 1/4"
169	X1827169	SPINDLE SPACER 3/4" X 1/4"
170	X1827170	SPINDLE SPACER 1-1/4" X 3/8"
171	X1827171	SPINDLE SPACER 1" X 3/8"
172	X1827172	SPINDLE SPACER 1-1/4" X 1/2" 2-PC
173	X1827173	SPINDLE SPACER 1" X 1/2" 2-PC
174	X1827174	SPINDLE SPACER 3/4" X 1/2" 2-PC
175	X1827175	SPINDLE SPACER 1-1/4" X 3/4" 2-PC
176	X1827176	SPINDLE SPACER 1" X 3/4" 2-PC
177	X1827177	SPINDLE SPACER 3/4" X 3/4" 2-PC
178	X1827178	SPINDLE SPACER 1-1/4" X 1" 2-PC
179	X1827179	SPINDLE SPACER 1" X 1" 2-PC
180	X1827180	SPINDLE SPACER 3/4" X 1" 2-PC
181	X1827181	SPINDLE 1-1/4"
182	X1827182	SPINDLE 1"
183	X1827183	SPINDLE 3/4"
184	X1827184	BEARING SPACER

Motor

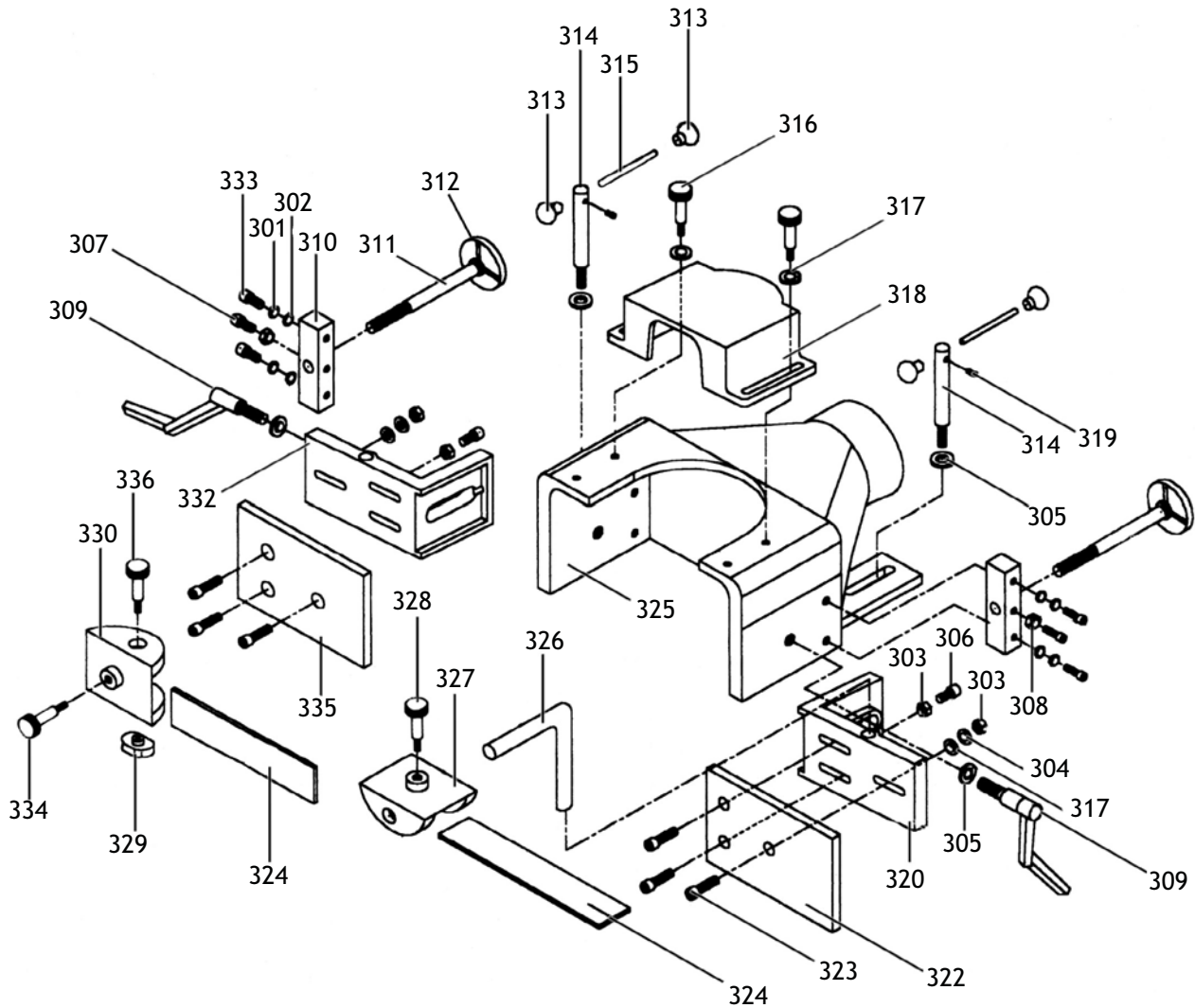


Motor Parts List

REF	PART #	DESCRIPTION
201	XPN08	HEX NUT 3/8-16
202	XPLW04	LOCK WASHER 3/8
203	XPW02	FLAT WASHER 3/8
204	XPB24	HEX BOLT 3/8-16 X 1-1/4
205	XPB21	HEX BOLT 3/8-16 X 3/4
206	XPB02	HEX BOLT 1/4-20 X 5/8
207	XPLW02	LOCK WASHER 1/4
208	XPW06	FLAT WASHER 1/4
209	X1827209	HEIGHT LOCK KNOB
210	X1827210	HEIGHT LOCK SHAFT
211	XPN02	HEX NUT 5/16-18
212	XPB03	HEX BOLT 5/16-18 X 1
213	X1827213	SHAFT CONNECTOR
214	X1827214	GEAR FLAT WASHER
215	X1827215	GEAR
216	X1827216	KEYED GEAR SHAFT BUSHING
217	XPK37M	KEY 4 X 4 X 16
218	X1827218	HEIGHT LOCK GEAR
219	X1827219	GEAR SHAFT
220	X1827220	HEIGHT GEARING HOUSING
221	XPW01	FLAT WASHER 1/2
222	XPN06	HEX NUT 1/2-12
223	XPCAP25	CAP SCREW 3/8-16 X 1-1/4
224	XPB24	HEX BOLT 3/8-16 X 1-1/4
225	X1827225	GEAR SHAFT BUSHING
226	XPVA30	V-BELT A-30
227	XPVA28	V-BELT A-28
228	XPK157M	KEY 7 X 7 X 50
229	X1827229	MOTOR PULLEY
230	XPB11	HEX BOLT 5/16-18 X 1-1/2
231	XPW07	FLAT WASHER 5/16
232	XPLW01	LOCK WASHER 5/16

REF	PART #	DESCRIPTION
233	XPCAP03	CAP SCREW 5/16-18 X 1
234	X1827234	COMPRESSION SPRING 3.4 X 20.3
235	X1827235	KEY 3/8 X 3/4 X 1
236	X1827236	MOTOR 5HP 220V 1-PH
236-1	X1827236-1	MOTOR FAN COVER
236-2	X1827236-2	MOTOR FAN
236-3	X1827236-3	CAPACITOR COVER
236-4	X1827236-4	MOTOR JUNCTION BOX
236-5	XPCS007	CENTRIFUGAL SWITCH 1/2-3450
236-6	XPCP001	CONTACT PLATE
236-7	XPC4005	S CAPACITOR 400M 125V 1-3/4 X 3-3/8
236-8	XPC050A	R CAPACITOR 50M 350V 1-3/4 X 3-3/8
236-9	P6205ZZ	BALL BEARING 6205ZZ
236-10	P6203ZZ	BALL BEARING 6203ZZ
237	X1827237	DRIVE SHAFT
238	XPW01	FLAT WASHER 1/2
239	X1827239	MOTOR MOUNT PLATE
240	X1827240	KNOB BOLT 3/8-16
241	XPLW07	LOCK WASHER 1/2
242	XPB54	HEX BOLT 1/2-20 X 1
243	X1827243	POINTER
244	XPS06	PHLP HD SCR 10-24 X 3/8
246	X1827246	POINTER SHAFT
247	X1827247	SLOTTED PLATE
248	X1827248	SPINDLE BRACKET SUPPORT
249	X1827249	HEIGHT LEADSCREW
250	X1827250	LEADSCREW GEAR
251	X1827251	HEIGHT HANDWHEEL
252	X1827252	HANDWHEEL HANDLE
253	XPB31	HEX BOLT 1/4-20 X 1
254	XPN05	HEX NUT 1/4-20
255	XPSS22	SET SCREW 10-32 X 1/2

Fence



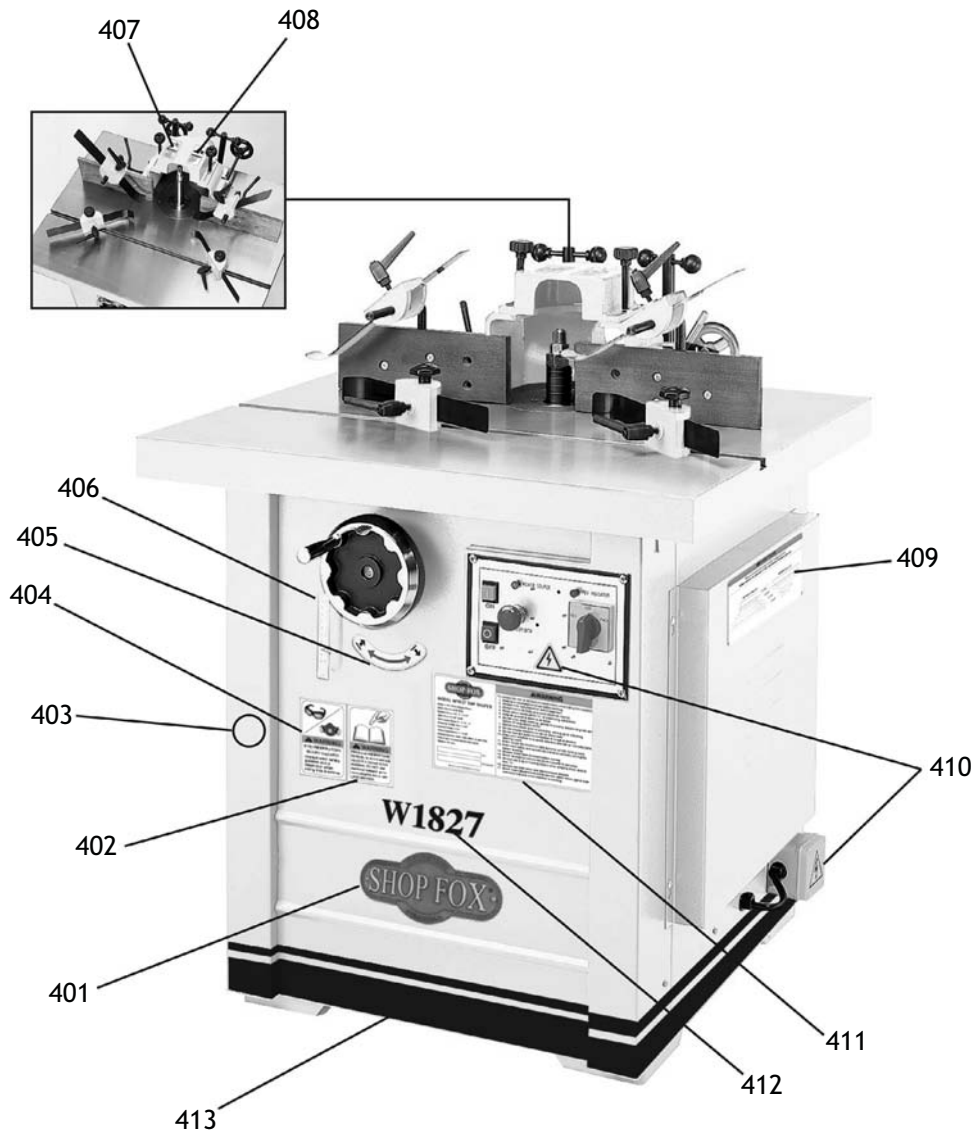
REF	PART #	DESCRIPTION
301	XPLW02	LOCK WASHER 1/4
302	XPW06	FLAT WASHER 1/4
303	XPN02	HEX NUT 5/16-18
304	XPLW01	LOCK WASHER 5/16
305	XPW01	FLAT WASHER 1/2
306	XPB03	HEX BOLT 5/16-18 X 1
307	XPB31	HEX BOLT 1/4-20 X 1
308	XPN05	HEX NUT 1/4-20
309	X1827309	LOCK HANDLE
310	X1827310	FENCE ADJUSTER BRACKET
311	X1827311	FENCE ADJUSTER SHAFT
312	X1827312	FENCE ADJUSTER HANDWHEEL
313	X1827313	KNOB
314	X1827314	GUARD TIE-DOWN SHAFT
315	X1827315	GUARD TIE-DOWN BAR
316	X1827316	KNOB BOLT 5/16-18 X 1, 2-3/4 SHAFT
317	XPW07	FLAT WASHER 5/16

REF	PART #	DESCRIPTION
318	X1827318	SAFETY GUARD
319	XPSS11	SET SCREW 1/4-20 X 1/4
320	X1827320	RIGHT FENCE BRACKET
322	X1827322	RIGHT FENCE BOARD
323	XPFH23	FLAT HD SCR 5/16-18 X 1-1/2
324	X1827324	HOLD-DOWN PLATE
325	X1827325	CUTTER GUARD BODY
326	X1827326	HOLD-DOWN BAR
327	X1827327	HOLD-DOWN BRACKET W/LARGE HOLE
328	X1827328	KNOB BOLT 3/8-16 X 1
329	X1827329	T-NUT 3/8-16
330	X1827330	HOLD-DOWN BRACKET W/SMALL HOLE
332	X1827332	LEFT FENCE BRACKET
333	XPB26	HEX BOLT 1/4-20 X 1-1/2
334	X1827334	KNOB BOLT 3/8-16 X 1-1/4
335	X1827335	LEFT FENCE BOARD
336	X1827336	KNOB BOLT 5/16-18 X 3/8, 2-1/2 SHAFT

Labels & Cosmetics

⚠ WARNING

Safety labels warn about machine hazards and how to prevent serious personal injury. The owner of this machine **MUST** maintain the original location and readability of all labels on this machine. If any label is removed or becomes unreadable, **REPLACE** that label before allowing machine to be operated again. Contact us at (360) 734-3482 or www.shopfoxtools.com to order new labels.



REF	PART #	DESCRIPTION
401	D3376	MEDIUM SHOP FOX NAMEPLATE
402	XLABEL-08	READ MANUAL LABEL
403	XPPAINT-1	SF WHITE TOUCH-UP PAINT
404	XLABEL-06	SAFETY GLASSES/RESPIRATOR LABEL
405	X1827405	HANDWHEEL DIRECTION LABEL
406	X1827406	SPINDLE HEIGHT SCALE
407	X1827407	HAND NEAR CUTTER LABEL

REF	PART #	DESCRIPTION
408	XLABEL-07B	UNPLUG MACHINE LABEL
409	X1827409	SPEED CHANGE LABEL
410	XLABEL-04	ELECTRICITY LABEL
411	X1827411	MACHINE ID LABEL
412	X1827412	MODEL NUMBER LABEL
413	X1827413	BASE BLACK STRIP LABEL