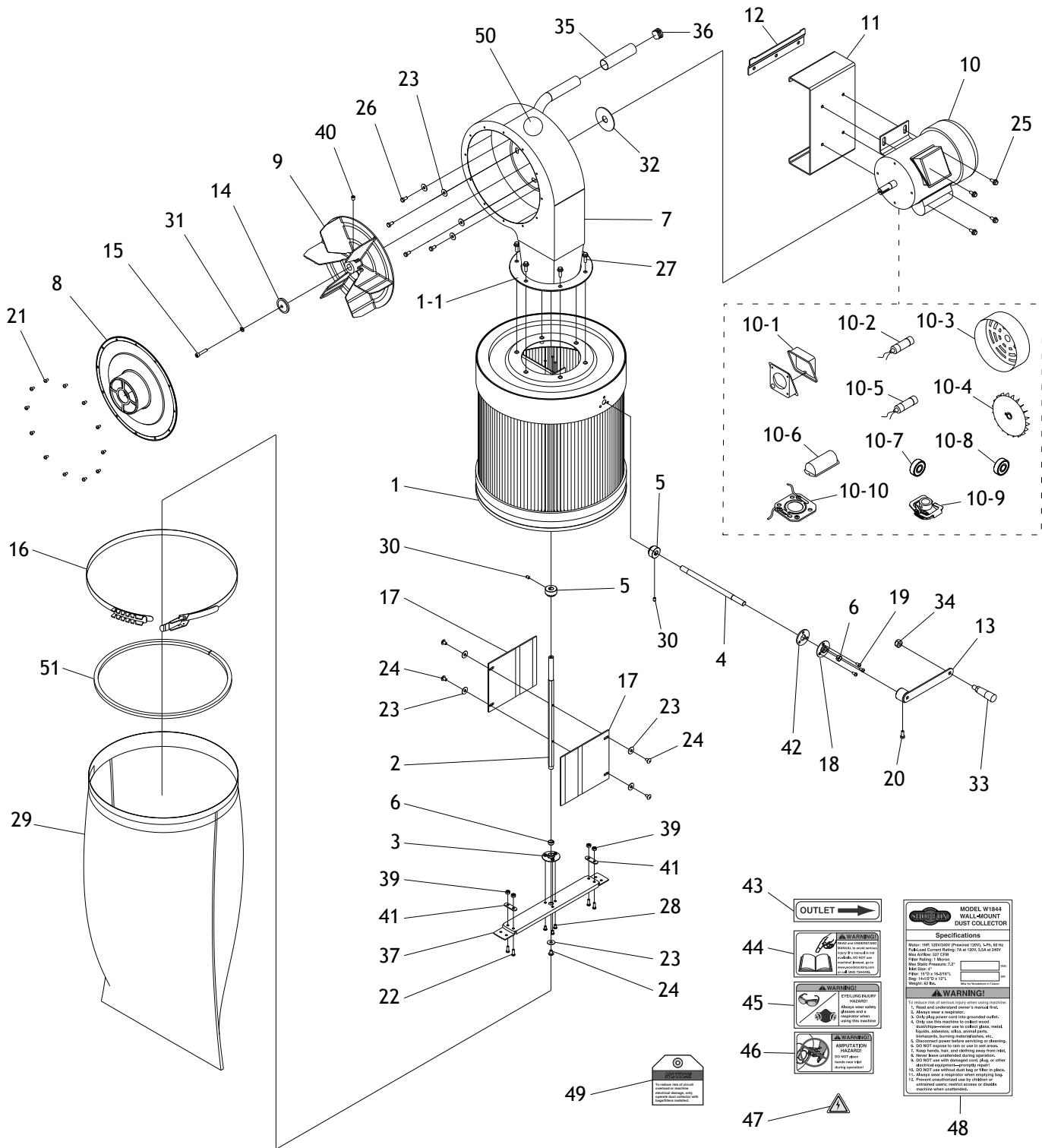


PARTS

Main



SHOP FOX	
MODEL W1844 WALL-MOUNT DUST COLLECTOR	
Specifications	
Model: W1844	Power: 120V, 60 Hz
Rated Current Rating: 12A	Max. Airflow: 227 CFM
Max. Hose Length: 25' (7.6m)	Max. Hose Diameter: 1.5"
Max. Static Pressure: 2.1"	Max. Hose Length: 25' (7.6m)
Max. Hose Diameter: 1.5"	Max. Hose Length: 25' (7.6m)
WARNING!	
To reduce risk of serious injury when using this product:	
1. Read and understand owner's manual first.	
2. Always wear a respirator.	
3. Only plug power cord into grounded outlet.	
4. Only use this machine to clean wood dust/metal shavings. Do not use to clean metal shavings, sparks, or other particles.	
5. Disconnect power before servicing or cleaning.	
6. Do NOT breathe in or use in wet areas.	
7. Keep hands, hair, and clothing away from fan.	
8. Never leave unattended during operation.	
9. DO NOT use with charged cord, plug, or other electrical equipment not specifically rated for this use.	
10. DO NOT use electrical cord plug. Refer to manual for instructions.	
11. Always wear a respirator when operating bag.	
12. Prevent unauthorized use by children or untrained users; restrict access or disable machine when unattended.	

Main Parts List

REF	PART #	DESCRIPTION
1	X1844001	CANISTER FILTER
1-1	X1844001-1	CANISTER GASKET
2	X1844002	MAIN SPINDLE
3	X1844003	BEARING PLATE
4	X1844004	CRANK SPINDLE
5	X1844005	BEVEL GEAR
6	X1844006	BUSHING
7	X1844007	IMPELLER HOUSING
8	X1844008	INLET COVER
9	X1844009	ALUMINIUM IMPELLER 10"
10	X1844010	MOTOR 1HP 120/240V 1-PH
10-1	X1844010-1	MOTOR JUNCTION BOX
10-2	X1844010-2	S CAPACITOR 200M 125V 1-3/8 X 2-3/4
10-3	X1844010-3	FAN COVER
10-4	X1844010-4	MOTOR FAN
10-5	X1844010-5	R CAPACITOR 30M 250V 1-3/8 X 2-1/2
10-6	X1844010-6	CAPACITOR COVER
10-7	X1844010-7	BALL BEARING 6203ZZ (FRONT)
10-8	X1844010-8	BALL BEARING 6202ZZ (REAR)
10-9	X1844010-9	CENTRIFUGAL SWITCH
10-10	X1844010-10	CONTACT PLATE
11	X1844011	MOTOR MOUNTING PLATE
12	X1844012	WALL MOUNTING BRACKET
13	X1844013	CLEANOUT CRANK HANDLE
14	X1844014	IMPELLER WASHER 6MM
15	X1844015	CAP SCREW M6-1 X 30 LH
16	X1844016	BAG CLAMP
17	X1844017	CLEANOUT FLAPPER
18	X1844018	BEARING PLATE
19	X1844019	PHLP HD SCR M5-.8 X 10
20	X1844020	HEX BOLT M6-1 X 16

REF	PART #	DESCRIPTION
21	X1844021	PHLP HD SCR M5-.8 X 10
22	X1844022	PHLP HD SCR M5-.8 X 15
23	X1844023	FLAT WASHER 1/4
24	X1844024	PHLP HD SCR M6-1 X 12
25	X1844025	FLANGE SCREW 1/4-20 X 1/2
26	X1844026	HEX BOLT 1/4-20 X 1/2
27	X1844027	FLANGE SCREW 1/4-20 X 3/4
28	X1844028	PHLP HD SCR M5-.8 X 8
29	X1844029	COLLECTION BAG 22-3/4" X 30"
30	X1844030	SET SCREW 1/4-20 X 5/16
31	X1844031	LOCK WASHER 1/4
32	X1844032	MOTOR GASKET
33	X1844033	CRANK HANDLE M10-1.5 X 14, 98L
34	X1844034	LOCK NUT M10-1.5
35	X1844035	HAND GRIP 1 X 5" (FOAM)
36	X1844036	END CAP 1"
37	X1844037	SPINDLE BRACKET
39	X1844039	HEX NUT M5-.8
40	X1844040	SET SCREW 5/16-18 X 5/16
41	X1844041	MOUNTING PLATE
42	X1844042	GASKET (RUBBER)
43	X1844043	OUTLET DIRECTION LABEL
44	X1844044	READ MANUAL LABEL
45	X1844045	EYE/LUNG INJURY HAZARD LABEL
46	X1844046	AMPUTATION HAZARD LABEL
47	X1844047	ELECTRICITY LABEL
48	X1844048	MACHINE ID LABEL
49	X1844049	NOTICE HANGING TAG
50	X1844050	TOUCH-UP PAINT, SHOP FOX WHITE
51	X1844051	FOAM STRIP 2 X 16 X 1250MM