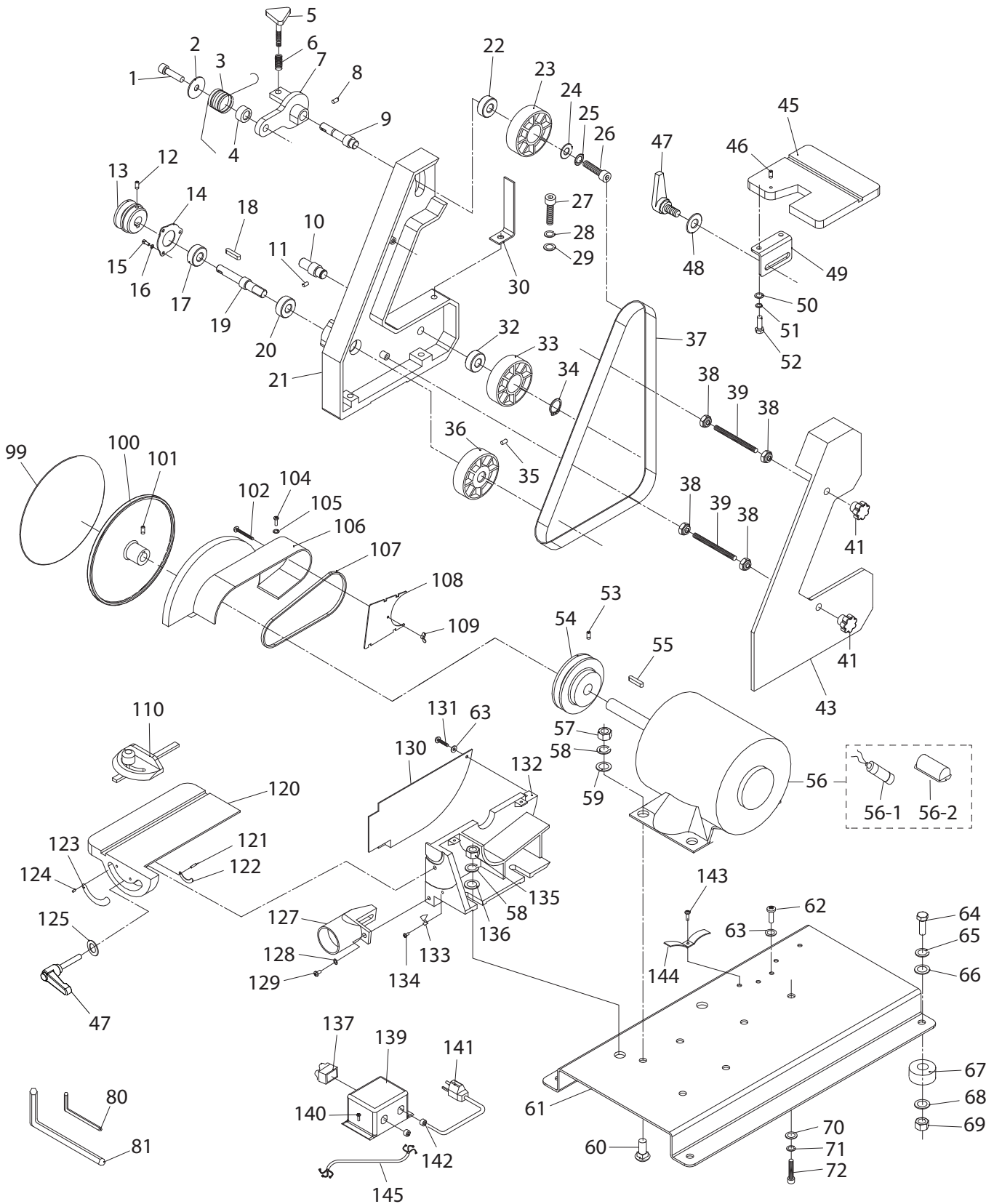


PARTS

Main Breakdown

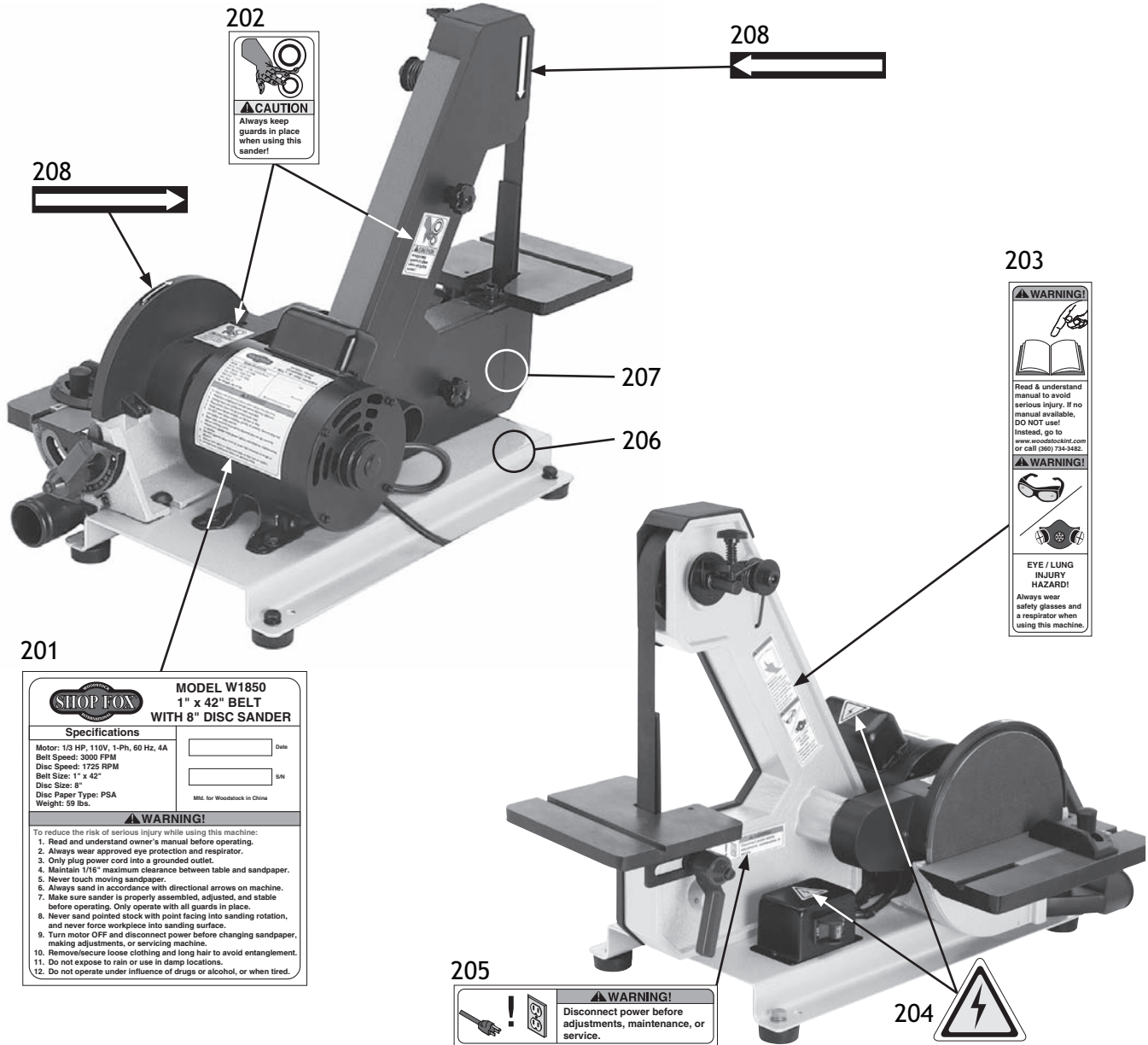


Parts List

REF	PART #	DESCRIPTION
1	X1850001	CAP SCREW M10-1.5 X 40
2	X1850002	FLAT WASHER 10MM
3	X1850003	TORSION SPRING
4	X1850004	SPACER
5	X1850005	KNOB BOLT 3-LOBE M8-1.25 X 40
6	X1850006	COMPRESSION SPRING 1.1 X 11 X 20
7	X1850007	TRACKING BRACKET
8	X1850008	ROLL PIN 3 X 20
9	X1850009	UPPER WHEEL SHAFT
10	X1850010	LOWER WHEEL SHAFT
11	X1850011	SET SCREW M5-.8 X 10
12	X1850012	SET SCREW M5-.8 X 10
13	X1850013	BELT DRIVE PULLEY
14	X1850014	RETAINING PLATE
15	X1850015	PHLP HD SCR M4-.7 X 8
16	X1850016	EXT TOOTH WASHER 4MM
17	X1850017	BALL BEARING 6202ZZ
18	X1850018	MACHINE KEY 5 X 5 X 25
19	X1850019	MIDDLE WHEEL SHAFT
20	X1850020	BALL BEARING 6002-2RS
21	X1850021	BELT HOUSING
22	X1850022	BALL BEARING 6202ZZ
23	X1850023	UPPER BELT WHEEL (PLASTIC)
24	X1850024	FLAT WASHER 6MM
25	X1850025	LOCK WASHER 6MM
26	X1850026	CAP SCREW M6-1 X 10
27	X1850027	CAP SCREW M10-1.5 X 15
28	X1850028	LOCK WASHER 10MM
29	X1850029	FLAT WASHER 10MM
30	X1850030	SANDING BELT PLATEN
32	X1850032	BALL BEARING 6202ZZ
33	X1850033	LOWER BELT WHEEL (PLASTIC)
34	X1850034	EXT RETAINING RING 15MM
35	X1850035	SET SCREW M5-.8 X 12
36	X1850036	LOWER BELT PULLEY (PLASTIC)
37	X1850037	SANDING BELT 1" X 42" 80-GRIT
38	X1850038	LOCK NUT M6-1
39	X1850039	STUD-FT M6-1 X 45
41	X1850041	KNOB 7-LOBE M6-1
43	X1850043	BELT COVER
45	X1850045	BELT TABLE
46	X1850046	SET SCREW M5-.8 X 20
47	X1850047	ADJUSTABLE HANDLE 80L, M10-1.5 X 20
48	X1850048	FLAT WASHER 10MM
49	X1850049	BELT TABLE SUPPORT
50	X1850050	FLAT WASHER 10MM
51	X1850051	LOCK WASHER 10MM
52	X1850052	HEX BOLT M10-1.5 X 16
53	X1850053	SET SCREW M5-.8 X 10
54	X1850054	MOTOR PULLEY
55	X1850055	MACHINE KEY 5 X 5 X 55
56	X1850056	MOTOR 1/3HP 110V 1-PH
56-1	X1850056-1	CAPACITOR 240UF 125VAC 1-3/8 X 2-1/2
56-2	X1850056-2	CAPACITOR COVER

REF	PART #	DESCRIPTION
57	X1850057	HEX NUT M8-1.25
58	X1850058	LOCK WASHER 8MM
59	X1850059	FLAT WASHER 8MM
60	X1850060	CARRIAGE BOLT M8-1.25 X 20
61	X1850061	BASE
62	X1850062	PHLP HD SCR M4-.7 X 8
63	X1850063	FLAT WASHER 4MM
64	X1850064	HEX BOLT M8-1.25 X 16
65	X1850065	LOCK WASHER 8MM
66	X1850066	FLAT WASHER 8MM
67	X1850067	RUBBER FOOT
68	X1850068	FLAT WASHER 8MM
69	X1850069	HEX NUT M8-1.25
70	X1850070	FLAT WASHER 10MM
71	X1850071	LOCK WASHER 10MM
72	X1850072	CAP SCREW M10-1.5 X 25
80	X1850080	HEX WRENCH 2.5MM
81	X1850081	HEX WRENCH 8MM
99	X1850099	SANDPAPER DISC 8" PSA 80-GRIT
100	X1850100	SANDING DISC PLATEN 8"
101	X1850101	SET SCREW M5-.8 X 8
102	X1850102	PHLP HD SCR M4-.7 X 45
104	X1850104	PHLP HD SCR M4-.7 X 8
105	X1850105	FLAT WASHER 4MM
106	X1850106	V-BELT/DISC SAFETY COVER
107	X1850107	V-BELT O-460
108	X1850108	V-BELT REAR COVER
109	X1850109	WING NUT M4-.7
110	X1850110	MITER GAUGE
120	X1850120	DISC TABLE
121	X1850121	ROLL PIN 4 X 10
122	X1850122	ARC KEY
123	X1850123	ANGLE SCALE
124	X1850124	RIVET
125	X1850125	FLAT WASHER 10MM
127	X1850127	DUST PORT 2"
128	X1850128	FLAT WASHER 6MM
129	X1850129	PHLP HD SCR M6-1 X 12
130	X1850130	DUST COVER
131	X1850131	PHLP HD SCR M4-.7 X 8
132	X1850132	DISC COVER
133	X1850133	POINTER
134	X1850134	PHLP HD SCR M4-.7 X 8
135	X1850135	HEX NUT M10-1.5
136	X1850136	FLAT WASHER 10MM
137	X1850137	TOGGLE SWITCH GAUYOU CB-8 125V
139	X1850139	SWITCH COVER
140	X1850140	PHLP HD SCR M4-.7 X 8
141	X1850141	POWER CORD 3W 18G 72" 5-15P
142	X1850142	STRAIN RELIEF 3/8" TYPE-1
143	X1850143	PHLP HD SCR M4-.7 X 8
144	X1850144	WIRE CLAMP
145	X1850145	MOTOR CORD 3W 18G 12"

Labels & Cosmetics



SHOP FOX

MODEL W1850
1" x 42" BELT
WITH 8" DISC SANDER

Specifications

Motor: 1/2 HP, 110V, 1-Ph, 60 Hz, 4A	Date
Belt Speed: 3000 FPM	SN
Disc Speed: 1725 RPM	
Belt Size: 1" x 42"	
Disc Size: 8"	
Disc Paper Type: PSA	
Weight: 59 lbs.	

Mfd. for Woodstock in China

⚠ WARNING!

To reduce the risk of serious injury while using this machine:

1. Read and understand owner's manual before operating.
2. Always wear approved eye protection and respirator.
3. Only plug power cord into a grounded outlet.
4. Maintain 1/16" maximum clearance between table and sandpaper.
5. Never touch moving sandpaper.
6. Always sand in accordance with directional arrows on machine.
7. Make sure sander is properly assembled, adjusted, and stable before operating. Only operate with all guards in place.
8. Never sand pointed stock with point facing into sanding rotation, and never force workpiece into sanding surface.
9. Turn motor OFF and disconnect power before changing sandpaper, making adjustments, or servicing machine.
10. Remove/secure loose clothing and long hair to avoid entanglement.
11. Do not expose to rain or use in damp locations.
12. Do not operate under influence of drugs or alcohol, or when tired.

REF	PART #	DESCRIPTION
201	X1850201	MACHINE ID LABEL
202	X1850202	PINCH WARNING LABEL
203	X1850203	READ/EYE/LUNG COMBO LABEL
204	X1850204	ELECTRICITY LABEL

REF	PART #	DESCRIPTION
205	X1850205	DISCONNECT POWER LABEL
206	X1850206	TOUCH-UP PAINT, SHOP FOX WHITE
207	X1850207	TOUCH-UP PAINT, SHOP FOX BLACK
208	X1850208	DIRECTION ARROW LABEL

⚠ WARNING

Safety labels warn about machine hazards and how to prevent serious personal injury. The owner of this machine **MUST** maintain the original location and readability of all labels on this machine. If any label is removed or becomes unreadable, **REPLACE** that label before allowing machine to be operated again. Contact us at (360) 734-3482 or www.woodstockint.com to order new labels.