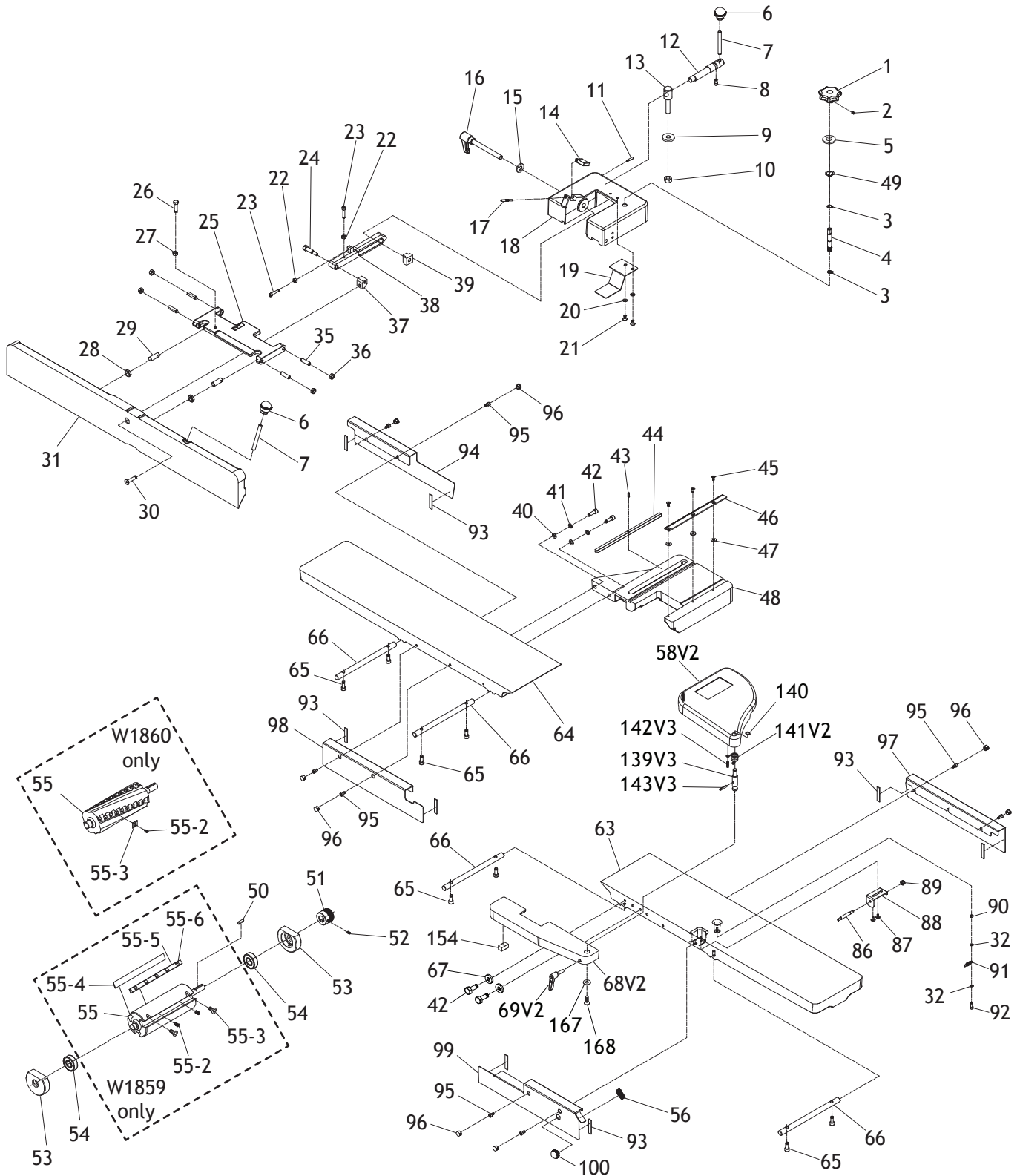


# PARTS

## Tables, Fence & Cutterhead



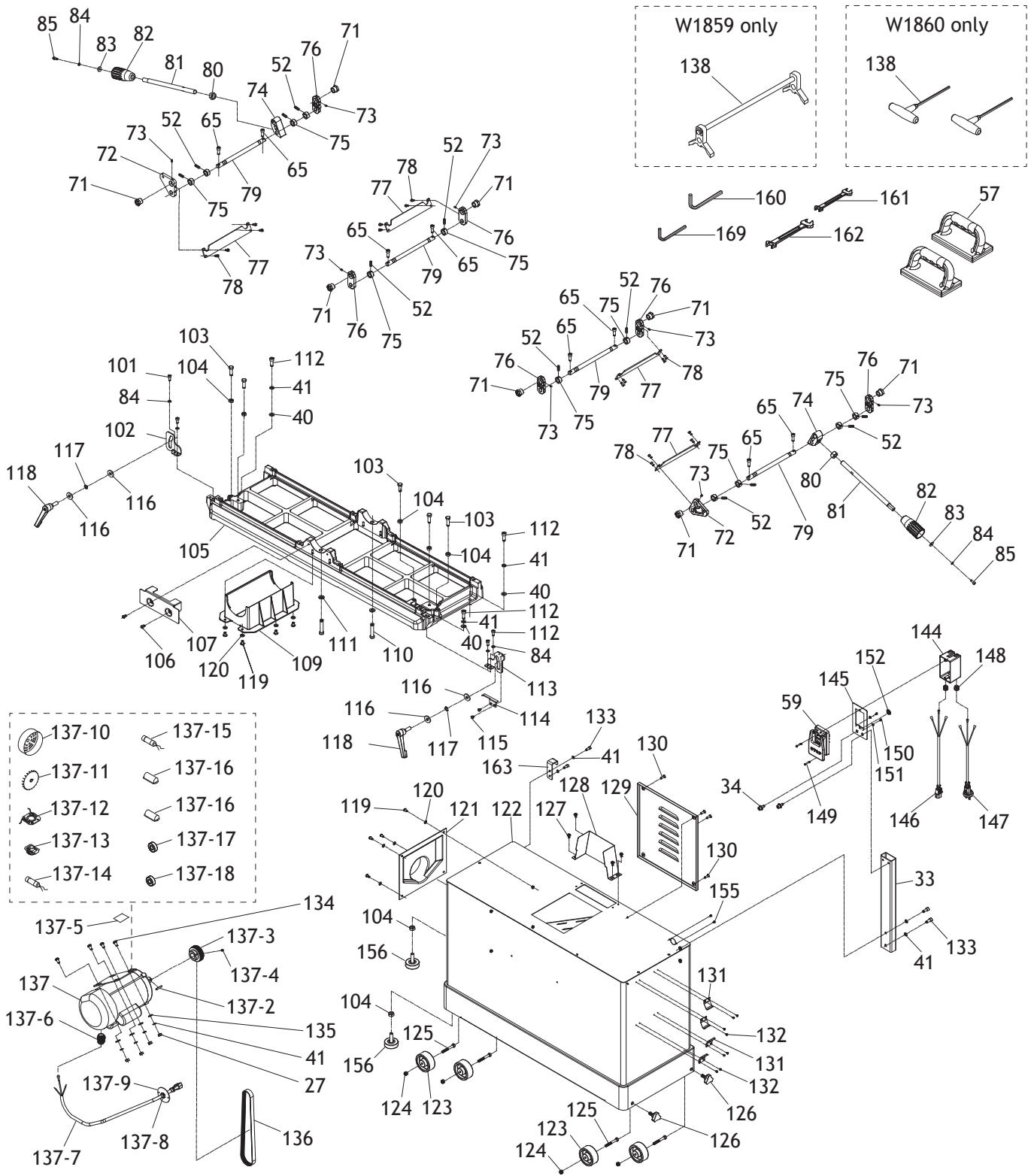


# Tables, Fence & Cutterhead Parts List

REI	PART #	DESCRIPTION
1	X1859001	KNOB 12ID, M6-1 SET SCREW THREADS
2	X1859002	SET SCREW M6-1 X 6
3	X1859003	EXT RETAINING RING 12MM
4	X1859004	GEAR SHAFT 10T, 11 X 78.5MM
5	X1859005	FLAT WASHER 12MM
6	X1859006	BALL KNOB 3/8-16, D1-5/16
7	X1859007	STUD-DE 3/8-16 X 3-1/8, 3/8
8	X1859008	CAP SCREW 1/4-20 X 1/2
9	X1859009	FENDER WASHER 1/2
10	X1859010	LOCK NUT 1/2-12
11	X1859011	ROLL PIN 4 X 25
12	X1859012	ECCENTRIC SHAFT 3/8-16, 5-1/4L
13	X1859013	CAMLOCK STUD 1/2-12 X1-3/16, 3-1/2L
14	X1859014	STOP BLOCK
15	X1859015	FLAT WASHER 1/2
16	X1859016	ADJ HANDLE 3L, 1/2-12 X 1-3/8
17	X1859017	DOWEL PIN 5 X 50
18	X1859018	FENCE CARRIAGE
19	X1859019	SAFETY PLATE
20	X1859020	FLAT WASHER 1/4
21	X1859021	FLAT HD SCR 1/4-20 X 1/2
22	X1859022	HEX NUT 1/4-20
23	X1859023	CAP SCREW 1/4-20 X 1-1/4
24	X1859024	SHOULDER BOLT 5/16-18 X 11/16, 3/8 X 1
25	X1859025	FENCE SWIVEL BASE
26	X1859026	HEX BOLT 5/16-18 X 1-1/4
27	X1859027	HEX NUT 5/16-18
28	X1859028	HEX NUT 1/2-20 THIN
29	X1859029	STUD-SE 1/2-20 X 1-3/8, 11/16
30	X1859030	FLAT HD CAP SCR 5/16-18 X 1-1/2
31	X1859031	FENCE
32	X1859032	FLAT WASHER 5MM
35	X1859035	SET SCREW 3/8-16 X 1-1/2 CONE-PT
36	X1859036	HEX NUT 3/8-16 THIN
37	X1859037	FENCE BLOCK
38	X1859038	FENCE LINK
39	X1859039	T-NUT 1/2-12
40	X1859040	FLAT WASHER 8MM
41	X1859041	LOCK WASHER 8MM
42	X1859042	CAP SCREW M8-1.25 X 25
43	X1859043	ROLL PIN 4 X 20
44	X1859044	KEY 9.5 X 9.5 X 268
45	X1859045	FLAT HD CAP SCR M5-.8 X 12
46	X1859046	FENCE GUIDE
47	X1859047	FLAT WASHER 1/4
48	X1859048	FENCE BASE
49	X1859049	WAVY WASHER 19MM

REF	PART #	DESCRIPTION
50	X1859050	KEY 5 X 5 X 22
51	X1859051	CUTTERHEAD PULLEY
52	X1859052	SET SCREW M6-1 X 8
53	X1859053	BEARING BLOCK
54	X1859054	BALL BEARING 6204-2NSE
55	X1859055	CUTTERHEAD 8" 4-KNIFE (W1859)
55-2	X1859055-2	COMPRESSION SPRING (W1859)
55-3	X1859055-3	FLAT HD CAP SCR M5-.8 X 12 (W1859)
55-4	X1859055-4	KNIFE 8 X 3/4 X 1/8 HSS (W1859)
55-5	X1859055-5	KNIFE GIB (W1859)
55-6	X1859055-6	KNIFE GIB BOLT 1/4-28 X 1/4 (W1859)
55	X1860055	HELICAL CUTTERHEAD 8" (W1860)
55-2	X1860055-2	FLAT HD TORX SCR T-25 10-24 X 1/2 (W1860)
55-3	X1860055-3	CARBIDE INSERT 15 X 15 X 2.5MM (W1860)
56	X1859056	DEPTH SCALE LABEL
58V2	X1859058V2	CUTTERHEAD GUARD V2.08.19
63	X1859063	INFEED TABLE
64	X1859064	OUTFEED TABLE
65	X1859065	CAP SCREW M8-1.25 X 25
66	X1859066	TABLE SHAFT 9-5/8L
67	X1859067	FLAT WASHER 8MM
68V2	X1859068V2	RABBETING TABLE V2.08.19
69V2	X1859069V2	GUARD LOCK HANDLE V2.07.19
86	X1859086	STANDOFF-RND MM 1/4-20 X 2-3/8, 1/2
87	X1859087	SHOULDER FLANGE SCR M5-.8, 6 X 3.3
88	X1859088	POSITION PLATE
89	X1859089	LOCK NUT 1/4-20
90	X1859090	HEX NUT M5-.8
91	X1859091	EXTENSION SPRING
92	X1859092	CAP SCREW M5-.8 X 15
93	X1859093	FOAM PAD
94	X1859094	REAR COVER (LEFT)
95	X1859095	CAP SCREW M6-1 X 10
96	X1859096	PLUG (PLASTIC)
97	X1859097	REAR COVER (RIGHT)
98	X1859098	FRONT COVER (LEFT)
99	X1859099	FRONT COVER (RIGHT)
100	X1859100	BALL KNOB 1/4-20, D1
139V3	X1859139V3	GUARD PIVOT SHAFT V3.07.19
140	X1859140	EXT RETAINING RING 11MM
141V2	X1859141V2	TORSION SPRING V2.07.19
142V3	X1859142V3	ROLL PIN 6 X 25 V3.07.19
143V3	X1859143V3	ROLL PIN 5 X 26 V3.07.19
154	X1859154	FOAM PAD 30 X 30 X 22
167	X1859167	FENDER WASHER 6.7 X 19 X 2MM
168	X1859168	BUTTON HD CAP SCR M6-1 X 12

# Base, Stand & Motor

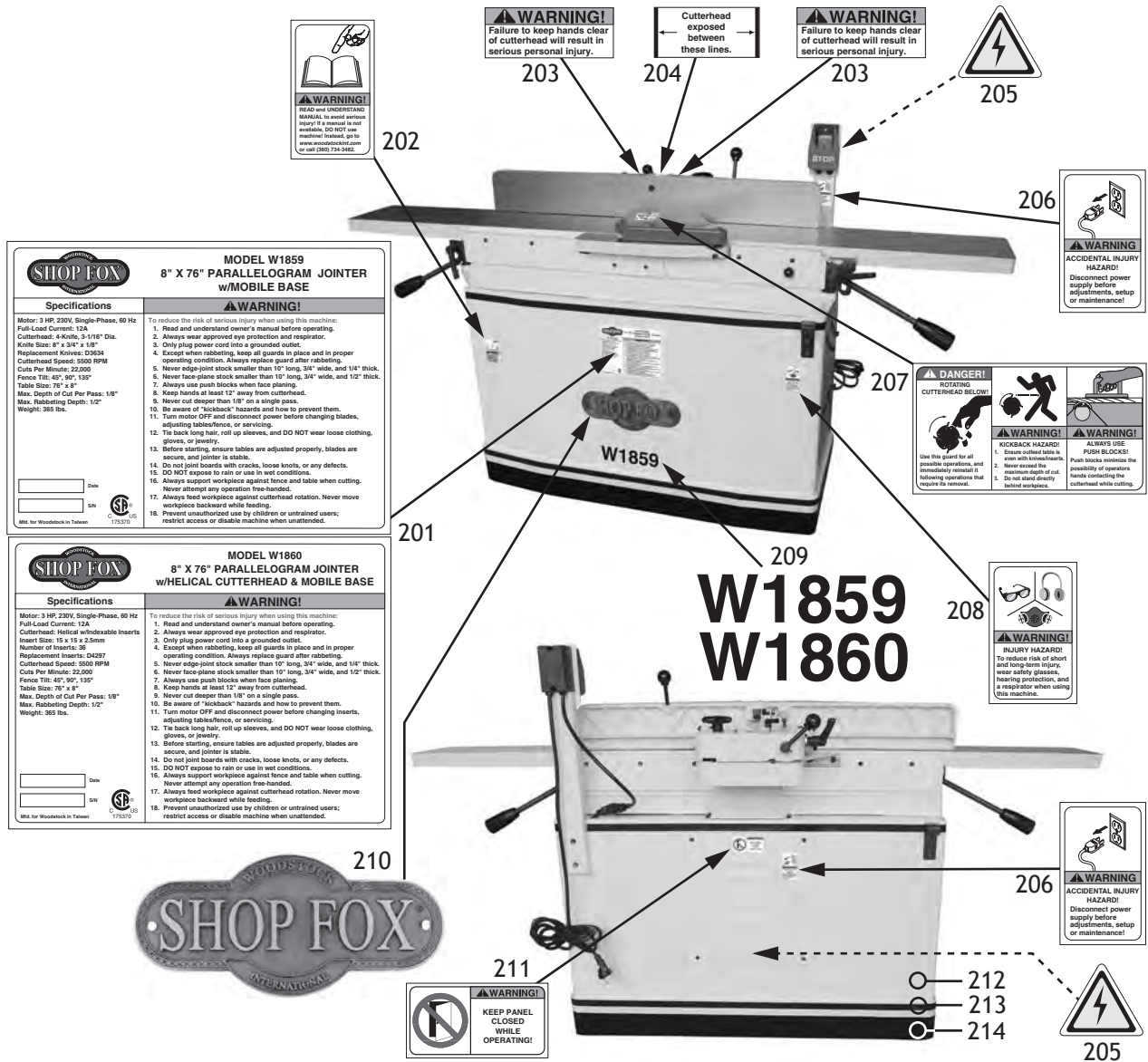


# Base, Stand & Motor Parts List

REF	PART #	DESCRIPTION
33	X1859033	SWITCH PEDESTAL
34	X1859034	CAP SCREW M8-1.25 X 20 W/WASHERS
40	X1859040	FLAT WASHER 8MM
41	X1859041	LOCK WASHER 8MM
57	X1859057	PUSH BLOCK
59	X1859059	ON/OFF BUTTON KEDU KJD17B-230V-S
71	X1859071	ECCENTRIC BUSHING
72	X1859072	BUSHING PLATE (3-HOLE)
73	X1859073	SET SCREW M5-.8 X 8
74	X1859074	ELEVATION BRACKET
75	X1859075	BUSHING
76	X1859076	BUSHING PLATE (2-HOLE)
77	X1859077	ELEVATION PLATE
78	X1859078	CAP SCREW M5-.8 X 10
79	X1859079	ELEVATION SHAFT 10-1/4L
80	X1859080	HEX NUT M16-2
81	X1859081	SHAFT INT THR M6-1, EXT THR M16-2
82	X1859082	LEVER KNOB
83	X1859083	FLAT WASHER 6MM
84	X1859084	LOCK WASHER 6MM
85	X1859085	CAP SCREW M6-1 X 16
101	X1859101	CAP SCREW M6-1 X 15
102	X1859102	OUTFEED TABLE LOCK PLATE
103	X1859103	HEX BOLT M8-1.25 X 30
104	X1859104	HEX NUT M8-1.25
105	X1859105	TABLE BASE
106	X1859106	FLAT HD CAP SCR M6-1 X 10
107	X1859107	CUTTERHEAD FRONT COVER
109	X1859109	DUST COVER
110	X1859110	CAP SCREW 3/8-24 X 2
111	X1859111	LOCK WASHER 3/8
112	X1859112	HEX BOLT M8-1.25 X 25
113	X1859113	INFEED TABLE LOCK PLATE
114	X1859114	SCALE POINTER
115	X1859115	BUTTON HD CAP SCREW M5-.8 X 6
116	X1859116	FLAT WASHER 10MM
117	X1859117	WAVY WASHER 10MM
118	X1859118	ADJ HANDLE M10-1.5 X 1.25, 93L
119	X1859119	PHLP HD SCR M6-1 X 12
120	X1859120	FLAT WASHER 6MM
121	X1859121	DUST PORT 4"
122	X1859122	CABINET STAND
123	X1859123	WHEEL
124	X1859124	LOCK NUT M8-1.25
125	X1859125	WHEEL AXLE M8-1.25 X 30, 60L
126	X1859126	KNOB BOLT 3-LOBE, M10-1.5 X 22, D40

REF	PART #	DESCRIPTION
127	X1859127	PHLP HD SCR M6-1 X 10 W/WASHER
128	X1859128	BELT COVER
129	X1859129	REAR ACCESS PANEL
130	X1859130	PHLP HD SCR M6-1 X 20
131	X1859131	PUSH BLOCK BRACKET
132	X1859132	PHLP HD SCR M4-.7 X 8
133	X1859133	CAP SCREW M8-1.25 X 20
134	X1859134	CARRIAGE BOLT 5/16-18 X 3/4
135	X1859135	FLAT WASHER 8MM
136	X1859136	POLY-V BELT 300J7
137	X1859137	MOTOR 3HP 230V 1-PH
137-2	X1859137-2	KEY 5 X 5 X 30
137-3	X1859137-3	MOTOR PULLEY
137-4	X1859137-4	SET SCREW M6-1 X 8
137-5	X1859137-5	MOTOR LABEL
137-6	X1859137-6	STRAIN RELIEF TYPE-3 PG13.5
137-7	X1859137-7	MOTOR CORD 14G 3W 32"
137-8	X1859137-8	STRAIN RELIEF TYPE-1 3/4"
137-9	X1859137-9	BACKING BOARD
137-10	X1859137-10	MOTOR FAN COVER
137-11	X1859137-11	MOTOR FAN
137-12	X1859137-12	CONTACT PLATE
137-13	X1859137-13	CENTRIFUGAL SWITCH
137-14	X1859137-14	S CAPACITOR 400M 125V 1-1/2 X 3-1/2
137-15	X1859137-15	R CAPACITOR 70M 250V 1-1/2 X 3-1/2
137-16	X1859137-16	CAPACITOR COVER
137-17	X1859137-17	BALL BEARING 6205ZZ (FRONT)
137-18	X1859137-18	BALL BEARING 6203ZZ (REAR)
138	X1859138	KNIFE-SETTING JIG (W1859)
138	X1860138	TORX DRIVER T-25 (W1860)
144	X1859144	SWITCH BOX
145	X1859145	SWITCH PLATE
146	X1859146	SWITCH CORD 14G 3W 20"
147	X1859147	POWER CORD 14G 3W 10' 6-20P
148	X1859148	STRAIN RELIEF TYPE-1 5/8"
149	X1859149	PHLP HD SCR M4-.7 X 25
150	X1859150	PHLP HD SCR M4-.7 X 6
151	X1859151	EXT TOOTH WASHER 4MM
152	X1859152	GROUND LABEL
155	X1859155	TAP SCREW M6 X 8
156	X1859156	ADJUSTABLE FOOT M8-1.25
160	X1859160	HEX WRENCH 6MM
161	X1859161	WRENCH 8 X 10MM OPEN-ENDS
162	X1859162	WRENCH 11 X 13MM OPEN-ENDS
163	X1859163	LIFTING HOOK
169	X1859169	HEX WRENCH 4MM

# Labels & Cosmetics



SHOP FOX INTERNATIONAL	
MODEL W1859 8" X 76" PARALLELOGRAM JOINTER w/MOBILE BASE	
<b>Specifications</b>	
Motor: 3 HP, 230V, Single-Phase, 60 Hz Full-Load Current: 12A Cutterhead: 4-Ports, 3-1/8" Dia. Knife Size: 8" x 3/4" x 1/8" Replacement Knives: C2834 Cutterhead Speed: 5500 RPM Cuts Per Minute: 22,000 Fence Tilt: 45°, 90°, 135° Table Size: 76" x 8" Max. Depth of Cut Per Pass: 1/8" Max. Rabbeting Depth: 1/2" Weight: 365 lbs.	<p><b>WARNING!</b> To reduce the risk of serious injury when using this machine:</p> <ol style="list-style-type: none"> <li>1. Read and understand owner's manual before operating.</li> <li>2. Always wear approved eye protection and respirator.</li> <li>3. Only plug power cord into a grounded outlet.</li> <li>4. Except when rabbeting, keep all guards in place and in proper operating condition. Always replace guard after rabbeting.</li> <li>5. Never edge-joint stock smaller than 10" long, 3/4" wide, and 1/4" thick.</li> <li>6. Never face-plane stock smaller than 10" long, 3/4" wide, and 1/2" thick.</li> <li>7. Always use push blocks when face planing.</li> <li>8. Keep hands at least 12" away from cutterhead.</li> <li>9. Never cut deeper than 1/8" on a single pass.</li> <li>10. Be aware of "kickback" hazards and how to prevent them.</li> <li>11. Turn motor OFF and disconnect power before changing blades, adjusting table/fence, or servicing.</li> <li>12. Tie back long hair, roll up sleeves, and DO NOT wear loose clothing, gloves, or jewelry.</li> <li>13. Before starting, ensure tables are adjusted properly, blades are secure, and jointer is stable.</li> <li>14. Do not joint boards with cracks, loose knots, or any defects.</li> <li>15. DO NOT expose to rain or use in wet conditions.</li> <li>16. Always support workpiece against fence and table when cutting. Never attempt any operation free-handed.</li> <li>17. Always feed workpiece against cutterhead rotation. Never move workpiece backward while feeding.</li> <li>18. Prevent unauthorized use by children or untrained users; restrict access or disable machine when unattended.</li> </ol>

SHOP FOX INTERNATIONAL	
MODEL W1860 8" X 76" PARALLELOGRAM JOINTER w/HELICAL CUTTERHEAD & MOBILE BASE	
<b>Specifications</b>	
Motor: 3 HP, 230V, Single-Phase, 60 Hz Full-Load Current: 12A Cutterhead: Helical, windable inserts Insert Size: 1.5 x 1.5 x 2.5mm Number of Inserts: 36 Replacement Inserts: D4287 Cutterhead Speed: 5500 RPM Cuts Per Minute: 22,000 Fence Tilt: 45°, 90°, 135° Table Size: 76" x 8" Max. Depth of Cut Per Pass: 1/8" Max. Rabbeting Depth: 1/2" Weight: 365 lbs.	<p><b>WARNING!</b> To reduce the risk of serious injury when using this machine:</p> <ol style="list-style-type: none"> <li>1. Read and understand owner's manual before operating.</li> <li>2. Always wear approved eye protection and respirator.</li> <li>3. Only plug power cord into a grounded outlet.</li> <li>4. Except when rabbeting, keep all guards in place and in proper operating condition. Always replace guard after rabbeting.</li> <li>5. Never edge-joint stock smaller than 10" long, 3/4" wide, and 1/4" thick.</li> <li>6. Never face-plane stock smaller than 10" long, 3/4" wide, and 1/2" thick.</li> <li>7. Always use push blocks when face planing.</li> <li>8. Keep hands at least 12" away from cutterhead.</li> <li>9. Never cut deeper than 1/8" on a single pass.</li> <li>10. Be aware of "kickback" hazards and how to prevent them.</li> <li>11. Turn motor OFF and disconnect power before changing inserts, adjusting table/fence, or servicing.</li> <li>12. Tie back long hair, roll up sleeves, and DO NOT wear loose clothing, gloves, or jewelry.</li> <li>13. Before starting, ensure tables are adjusted properly, blades are secure, and jointer is stable.</li> <li>14. Do not joint boards with cracks, loose knots, or any defects.</li> <li>15. DO NOT expose to rain or use in wet conditions.</li> <li>16. Always support workpiece against fence and table when cutting. Never attempt any operation free-handed.</li> <li>17. Always feed workpiece against cutterhead rotation. Never move workpiece backward while feeding.</li> <li>18. Prevent unauthorized use by children or untrained users; restrict access or disable machine when unattended.</li> </ol>

REF	PART #	DESCRIPTION
201	X1859201	MACHINE ID LABEL (W1859)
201	X1860201	MACHINE ID LABEL (W1860)
202	X1859202	READ MANUAL LABEL
203	X1859203	CUTTERHEAD WARNING LABEL
204	X1859204	CUTTERHEAD EXPOSED LABEL
205	X1859205	ELECTRICITY LABEL
206	X1859206	DISCONNECT POWER LABEL
207	X1859207	CUTTERHEAD GUARD LABEL

REF	PART #	DESCRIPTION
208	X1859208	EYES EARS LUNGS WARNING LABEL
209	X1859209	MODEL NUMBER LABEL (W1859)
209	X1860209	MODEL NUMBER LABEL (W1860)
210	X1859210	SHOPFOX NAMEPLATE-LARGE
211	X1859211	PANEL CLOSED WARNING LABEL
212	X1859212	TOUCH-UP PAINT, SHOP FOX WHITE
213	X1859213	BLACK TRIM TAPE
214	X1859214	TOUCH-UP PAINT, SHOP FOX BLACK

**WARNING**

Safety labels warn about machine hazards and how to prevent serious personal injury. The owner of this machine **MUST** maintain the original location and readability of all labels on this machine. If any label is removed or becomes unreadable, **REPLACE** that label before allowing machine to be operated again. Contact us at (360) 734-3482 or [www.woodstockint.com](http://www.woodstockint.com) to order new labels.