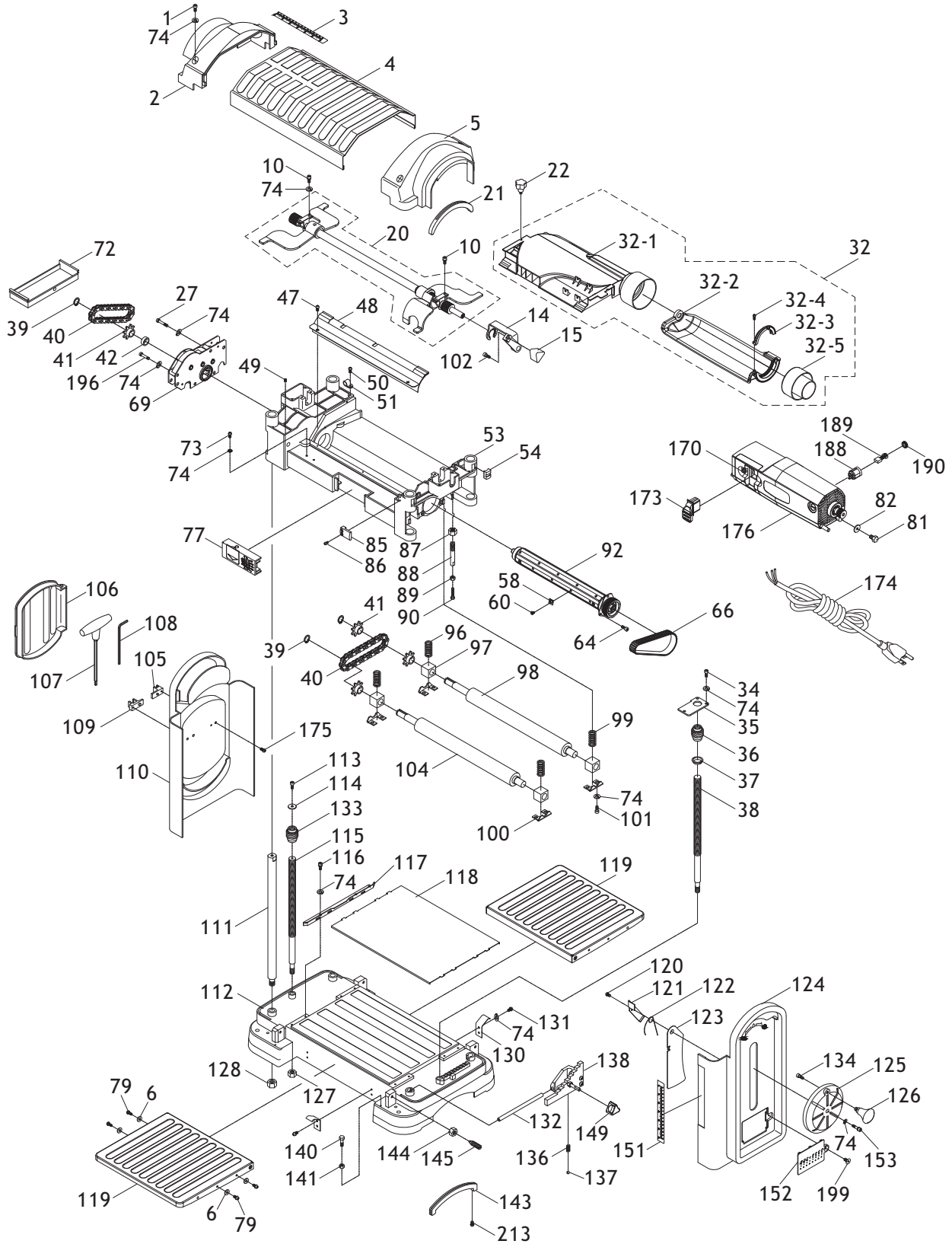


PARTS

Main



Main Parts List

REF	PART #	DESCRIPTION
1	X1877001	CAP SCREW M6-1 X 20
2	X1877002	LEFT CAP
3	X1877003	LENGTH SCALE
4	X1877004	TOP COVER
5	X1877005	RIGHT CAP
6	X1877006	FLAT WASHER 4MM
10	X1877010	CAP SCREW M5-.8 X 12
14	X1877014	CUTTERHEAD LOCK LEVER
15	X1877015	KNOB M5-.8, 3-LOBE, D30
20	X1877020	CUTTERHEAD LOCK ASSEMBLY
21	X1877021	RUBBER PAD (UPPER)
22	X1877022	KNOB BOLT M5-.8 X 8, 5-LOBE, D25
27	X1877027	CAP SCREW M5-.8 X 35
32	X1877032	DUST HOOD ASSEMBLY
32-1	X1877032-1	DUST HOOD (UPPER)
32-2	X1877032-2	DUST HOOD (LOWER)
32-3	X1877032-3	SWIVEL RING
32-4	X1877032-4	TAP SCREW M3 X 16
32-5	X1877032-5	DUST PORT ADAPTER 4" X 2-1/2"
34	X1877034	CAP SCREW M5-.8 X 10
35	X1877035	COVER
36	X1877036	WORM GEAR (RIGHT)
37	X1877037	BUSHING
38	X1877038	LEADSCREW (RIGHT)
39	X1877039	EXT RETAINING RING 15MM
40	X1877040	CHAIN #410-26
41	X1877041	SPROCKET 8T
42	X1877042	SPACER
47	X1877047	PHLP HD SCR M5-.8 X 8
48	X1877048	DUST PORT PLATE
49	X1877049	SET SCREW M5-.8 X 8
50	X1877050	PHLP HD SCR M5-.8 X 8
51	X1877051	CORD CLAMP
53	X1877053	CARRIAGE
54	X1877054	SUPPORT BLOCK
58	X1877058	CARBIDE INSERT 14 X 14 X 2
60	X1877060	FLAT HD TORX SCR M5-.8 X 16
64	X1877064	CAP SCREW M5-.8 X 12
66	X1877066	POLY V-BELT 135J6
69	X1877069	GEARBOX
72	X1877072	GEARBOX COVER
73	X1877073	TAP SCREW M5 X 8
74	X1877074	LOCK WASHER 5MM
77	X1877077	INDICATOR HOUSING
79	X1877079	PHLP HD SCR M4-.7 X 10
81	X1877081	HEX BOLT M8-1.25 X 20

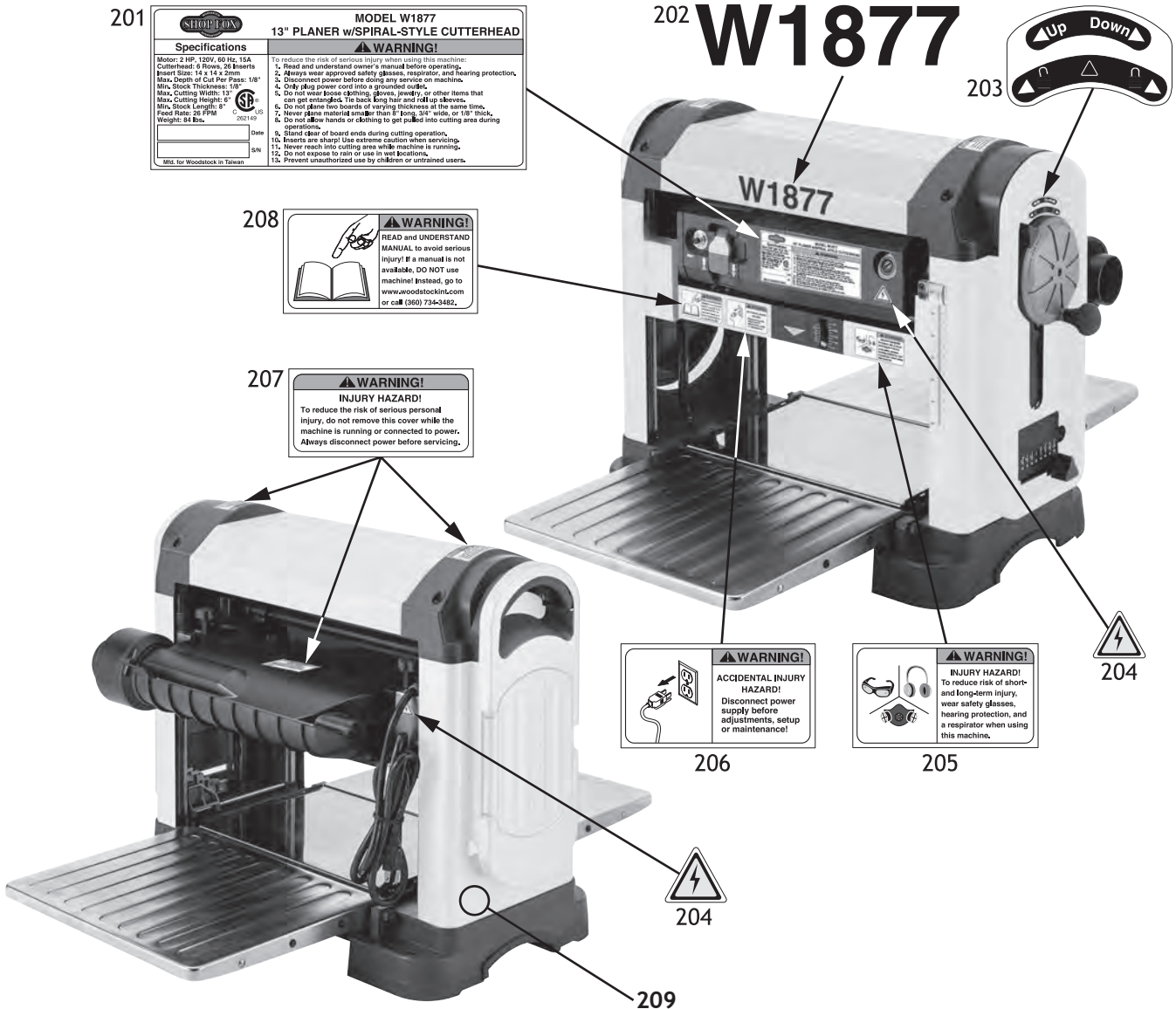
REF	PART #	DESCRIPTION
82	X1877082	FLAT WASHER 8MM
85	X1877085	DEPTH-OF-CUT INDICATOR
86	X1877086	PHLP HD SCR M3-.5 X 16
87	X1877087	HEX NUT M10-1.5
88	X1877088	STEP BLOCK ROD
89	X1877089	HEX NUT M5-.8
90	X1877090	HEX BOLT M5-.8 X 25
92	X1877092	INDEXABLE CUTTERHEAD 13"
96	X1877096	COMPRESSION SPRING (LEFT)
97	X1877097	BEARING BLOCK
98	X1877098	OUTFEED ROLLER
99	X1877099	COMPRESSION SPRING (RIGHT)
100	X1877100	RETAINER PLATE
101	X1877101	CAP SCREW M5-.8 X 10
102	X1877102	CAP SCREW M5-.8 X 10
104	X1877104	INFEED ROLLER
105	X1877105	TOOL HOLDER (LEFT)
106	X1877106	TOOL BOX COVER
107	X1877107	T-HANDLE TORX WRENCH T-25
108	X1877108	HEX WRENCH 4MM
109	X1877109	TOOL HOLDER (RIGHT)
110	X1877110	SIDE PANEL (LEFT)
111	X1877111	COLUMN
112	X1877112	BASE
113	X1877113	CAP SCREW M5-.8 X 8
114	X1877114	FLAT WASHER 5MM
115	X1877115	LEADSCREW (LEFT)
116	X1877116	CAP SCREW M5-.8 X 10
117	X1877117	GUIDE RAIL
118	X1877118	WEAR PLATE
119	X1877119	EXTENSION TABLE
120	X1877120	PHLP HD SCR M5-.8 X 6
121	X1877121	STIFFENER PLATE
122	X1877122	TORSION SPRING
123	X1877123	GUARD PLATE
124	X1877124	SIDE PANEL (RIGHT)
125	X1877125	HANDWHEEL TYPE-34 125D X 6B-F X 8MM
126	X1877126	HOLLOW HANDLE 38 X 58, M5-.8
127	X1877127	LOCK NUT M10-1.5
128	X1877128	HEX NUT M12-1.75
130	X1877130	FLAT SPRING
131	X1877131	PHLP HD SCR M5-.8 X 10
132	X1877132	PIVOT ROD
133	X1877133	WORM GEAR (LEFT)
134	X1877134	CAP SCREW M5-.8 X 12
136	X1877136	COMPRESSION SPRING

Main Parts List (Cont.)

REF	PART #	DESCRIPTION
137	X1877137	STEEL BALL 10MM
138	X1877138	STEP BLOCK
140	X1877140	HEX BOLT M6-1 X 25
141	X1877141	HEX NUT M6-1
143	X1877143	RUBBER PAD (LOWER)
144	X1877144	HEX NUT M10-1.5
145	X1877145	SET SCREW M10-1.5 X 36 DOG-PT SLOTTED
149	X1877149	KNOB 3-LOBE D30
151	X1877151	THICKNESS SCALE
152	X1877152	STEP BLOCK COVER
153	X1877153	CAP SCREW M5-.8 X 20

REF	PART #	DESCRIPTION
170	X1877170	CIRCUIT BREAKER SANGMAO 20A
173	X1877173	PADDLE SWITCH KEDU HY18-20 20A
174	X1877174	POWER CORD 14G 3W 72" 5-15P
175	X1877175	TAP SCREW M4 X 8
176	X1877176	MOTOR 2HP 120V 1-PH
188	X1877188	BRUSH HOLDER
189	X1877189	CARBON BRUSH
190	X1877190	BRUSH COVER
196	X1877196	CAP SCREW M5-.8 X 30
199	X1877199	FLAT HD CAP SCR M6-1 X 12

Labels & Cosmetics



201

SHOP FOX		MODEL W1877	
Specifications		WARNING!	
Motor: 2 HP, 120V, 60 Hz, 15A	Cutterhead: 6 Rows, 26 Inserts	To reduce the risk of serious injury when using this machine:	
Insert Size: 15 x 11 x 20mm	Max. Depth of Cut Per Pass: 1/8"	1. Read and understand owner's manual before operating.	
Max. Stock Thickness: 1 1/8"	Max. Cutting Width: 13"	2. Always wear approved safety glasses, respiration, and hearing protection.	
Max. Cutting Height: 8"	Max. Stock Length: 8'	3. Disconnect power before doing any service on machine.	
Feed Rate: 26 FPM	Weight: 81 lbs.	4. Only plug power cord into a grounded outlet.	
		5. Do not wear loose clothing, gloves, jewelry, or other items that can get entangled. Tie back long hair and roll up sleeves.	
		6. Do not plane two boards of varying thickness at the same time.	
		7. Never plane material smaller than 8" long, 3/4" wide, or 1/8" thick.	
		8. Do not plane hands or clothing to get pulled into cutting area during operations.	
		9. Stand clear of board ends during cutting operation.	
		10. Inserts are sharp! Use extreme caution when servicing.	
		11. Never reach into cutting area while machine is running.	
		12. Do not expose to rain or use in wet locations.	
		13. Prevent unauthorized use by children or untrained users.	

208

WARNING!	
READ and UNDERSTAND MANUAL to avoid serious injury! If a manual is not available, DO NOT use machine! Instead, go to www.woodstockint.com or call (360) 734-3482.	

207

WARNING!	
INJURY HAZARD! To reduce the risk of serious personal injury, do not remove this cover while the machine is running or connected to power. Always disconnect power before servicing.	

206

WARNING!	
ACCIDENTAL INJURY HAZARD! Disconnect power supply before adjustments, setup or maintenance!	

205

WARNING!	
INJURY HAZARD! To reduce risk of short- and long-term injury, wear safety glasses, hearing protection, and a respirator when using this machine.	

REF	PART #	DESCRIPTION
201	X1877201	MACHINE ID LABEL
202	X1877202	MODEL NUMBER LABEL
203	X1877203	UP/DOWN/LOCK LABEL
204	X1877204	ELECTRICITY LABEL
205	X1877205	EYE/EAR/LUNG LABEL

REF	PART #	DESCRIPTION
206	X1877206	DISCONNECT POWER LABEL
207	X1877207	INJURY/HAZARD LABEL
208	X1877208	READ MANUAL LABEL
209	X1877209	TOUCH-UP PAINT, SHOP FOX WHITE

! WARNING

Safety labels warn about machine hazards and how to prevent serious personal injury. The owner of this machine **MUST** maintain the original location and readability of all labels on this machine. If any label is removed or becomes unreadable, **REPLACE** that label before allowing machine to be operated again. Contact us at (360) 734-3482 or www.woodstockint.com to order new labels.