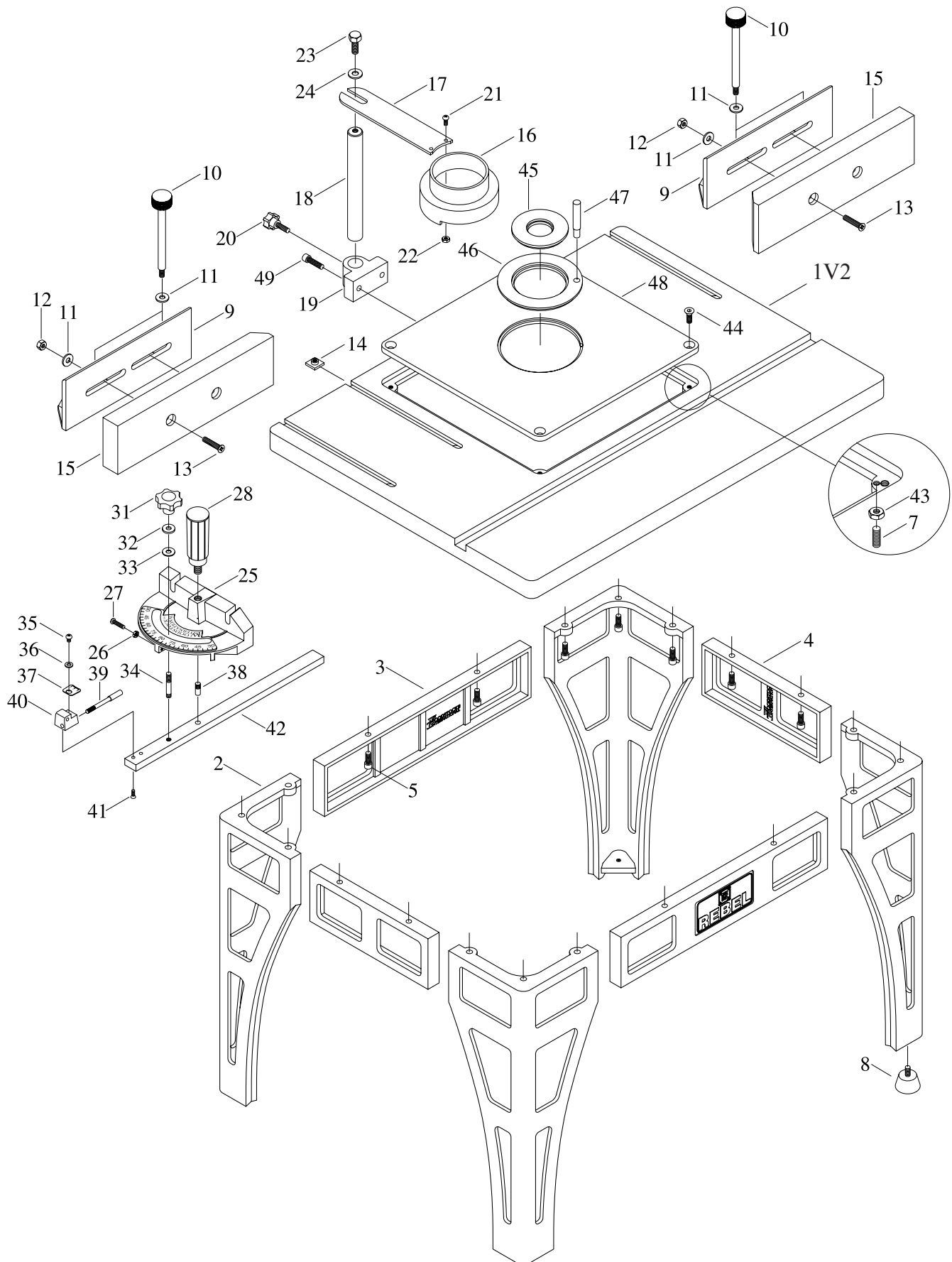


# VI. Parts Breakdown



## VII. Parts List

Ref. #	Description
1V2	TABLE TOP (CAST IRON) V2.04.03
2	LEG
3	PANEL
4	SIDE PANEL
5	CAP SCREW 1/4"-28 X 5/8"
7	SETSCREW 10-32 X 5/8"
8	FOOT
9	FENCE
10	FENCE LOCK
11	FLAT WASHER 1/4"
12	HEX NUT 1/4"-20
13	FLAT HEAD SCREW 1/4"-20 X 1 1/4"
14	T-NUT
16	GUARD
17	ARM
18	POST
19	BRACKET
20	LOCK KNOB
21	PHILLIPS® HD SCREW 6-32 X 1/2"
22	HEX NUT 6-32
23	HEX BOLT 5/16"-18 X 3/4"
24	FLAT WASHER 5/16"
25	MITER BODY

Ref. #	Description
26	HEX NUT 10-24
27	PHILLIPS® HD SCREW 10-24 X 3/4"
28	PUSH HANDLE
31	LOCK KNOB
32	FLAT WASHER 1/4"
33	FIBER WASHER 1/4"
34	STUD
35	PHILLIPS® HD SCREW 10-24 X 1/4"
36	FLAT WASHER #10
37	SCALE
38	GUIDE STUD
39	STOP PIN
40	STOP BLOCK
41	FLAT HEAD SCREW 10-20 X 3/8"
42	MITER BAR
43	HEX NUT 10-32
44	FLAT HEAD SCREW 1/4"-28 X 3/4"
45	SMALL INSERT
46	LARGE INSERT
47	STARTING PIN
48	ALUMINUM INSERT
49	CAP SCREW 1/4"-28 X 1"