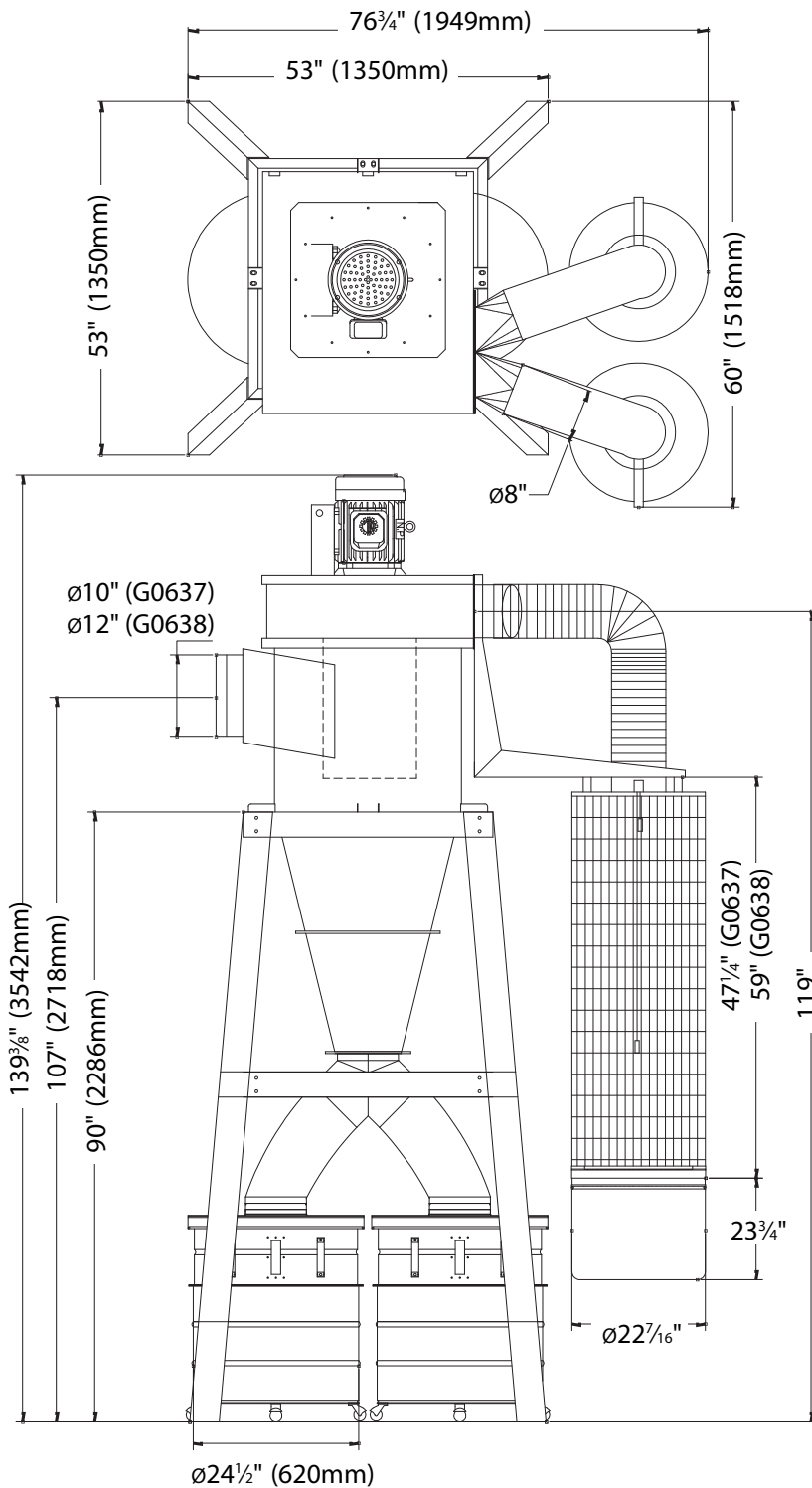


MODEL G0637 OVERALL DIMENSIONS





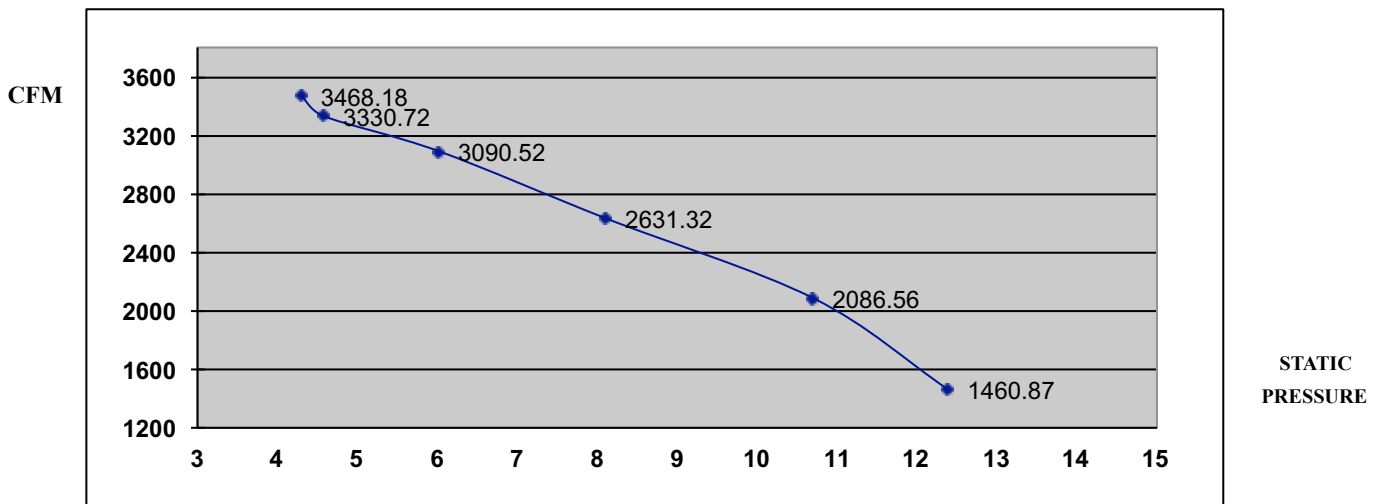
MACHINE DATA SHEET

© Grizzly Industrial, Inc. • Customer Service: (800) 523-4777 • Tech Support: (570) 546-9663

MODEL G0637 PERFORMANCE CURVE CHART

G0637	Max static pressure (inch/H2O)	Max CFM	Hp	Volts	Hz	Impeller	Inlet
	14.73	3468.18	7-1/2	220V/440V	60	Φ18"	Φ10"

	Restrictor plate (inch)	Dia. 10"	Dia. 9"	Dia. 8"	Dia. 7"	Dia. 6"	Dia. 5"	Dia. 0"
G0637	Static pressure (Inch/H2O)	4.3	4.58	6.02	8.11	10.7	12.39	14.73
	CFM	3468.18	3330.72	3090.52	2631.32	2086.56	1460.87	
	Velocity	2.522	2.326	2.002	1.452	0.913	0.449	



Remark:

1. The speed meter and static pressure indicator is located in dia 10" x 8 times of the flexible pipe away from the suction.
2. The total length of the flexible pipe is dia 10" x 16 times.
3. The Max C.F.M is measured when the intake is dia. 10" x 1 holes and Max. Static presure is measured when the diameter of intake port is DIA. 0".

