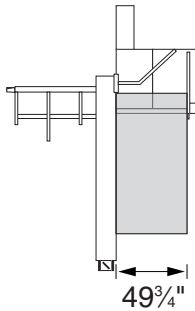
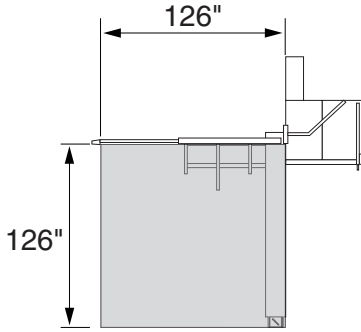
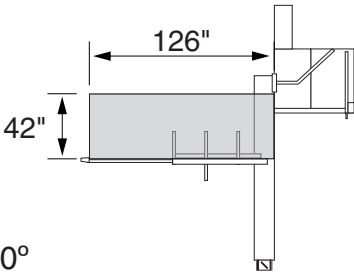
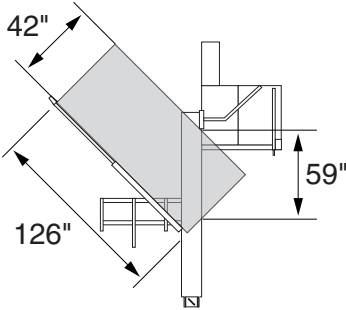
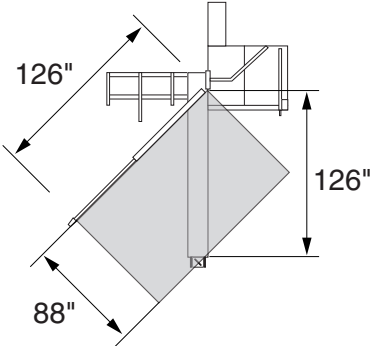
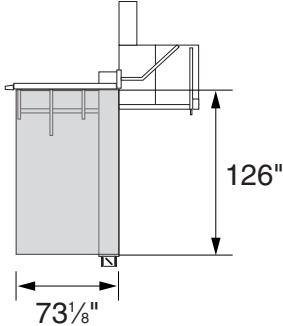
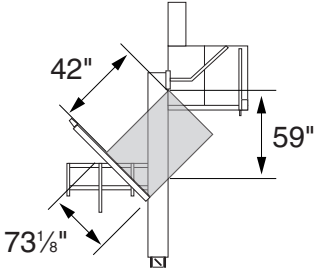
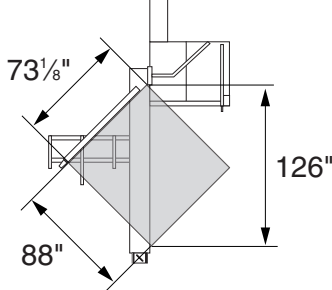




SLIDING TABLE SAW CAPACITIES

Customer Service #: (570) 546-9663 • To Order Call: (800) 523-4777 • Fax #: (800) 438-5901

MODEL G0699 12" SLIDING TABLE SAW

 <p>Ripping Width</p> <p>49³/₄"</p>	 <p>Cross Cut</p> <p>126"</p>
 <p>Miter Cut 90° (push cut)</p> <p>126"</p> <p>42"</p>	 <p>Miter Cut 45° (push cut)</p> <p>126"</p> <p>42"</p> <p>59"</p>
 <p>Miter Cut 45°</p> <p>126"</p> <p>88"</p> <p>126"</p>	 <p>Cross Cut (fence not extended)</p> <p>126"</p> <p>73¹/₈"</p>
 <p>Miter Cut 45° (push cut, fence not extended)</p> <p>42"</p> <p>73¹/₈"</p> <p>59"</p>	 <p>Miter Cut 45° (fence not extended)</p> <p>73¹/₈"</p> <p>88"</p> <p>126"</p>